

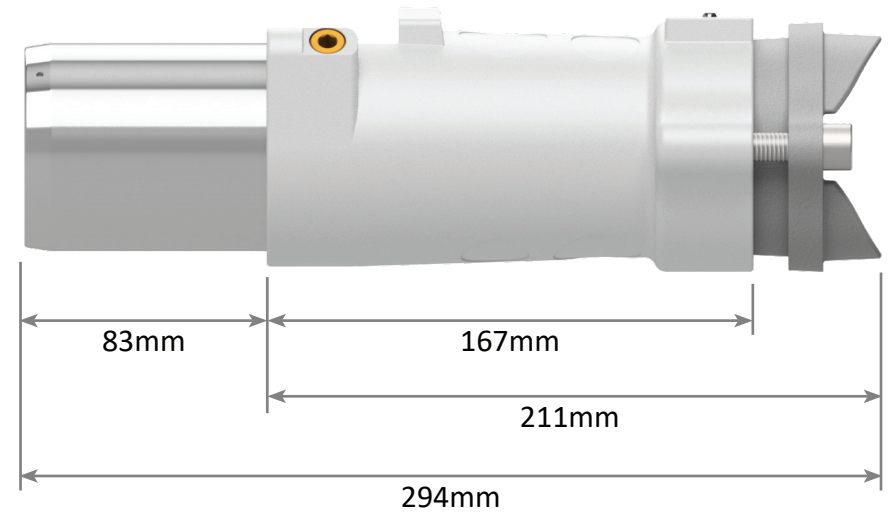
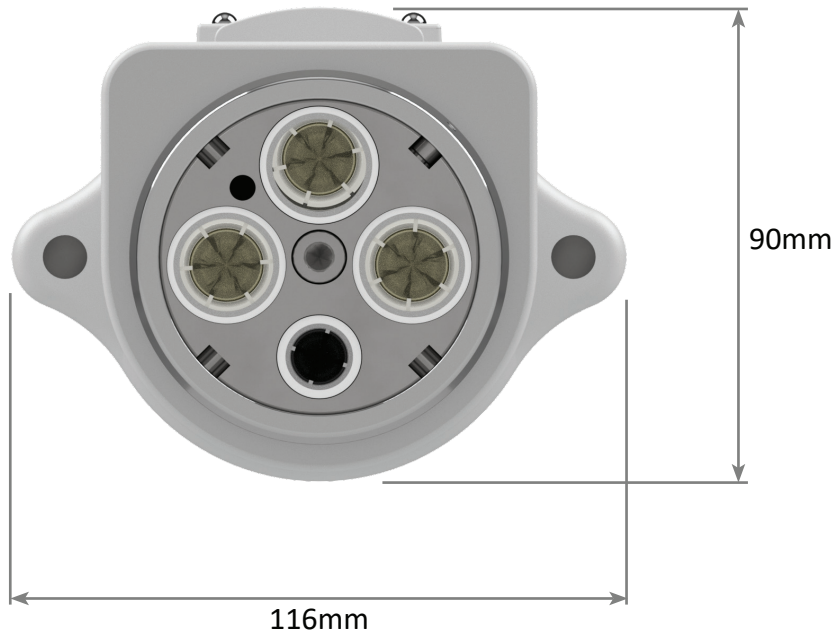
# PS RANGE

## Restrained Plugs and Receptacles Flameproof

Front and Side View

660V - 1100V

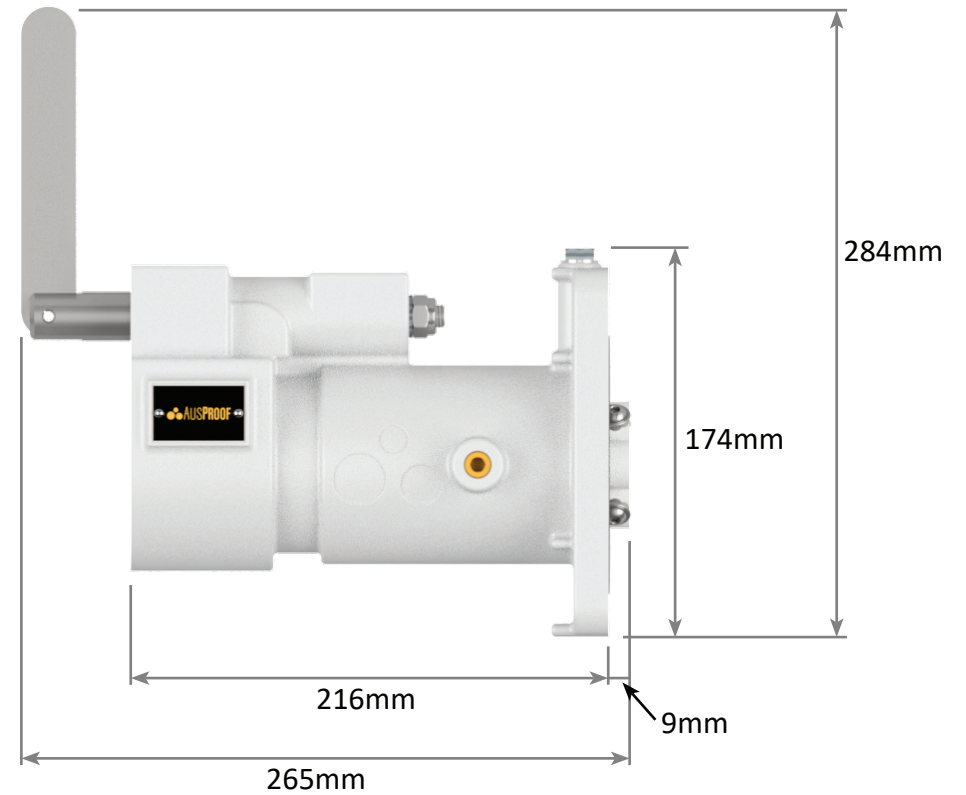
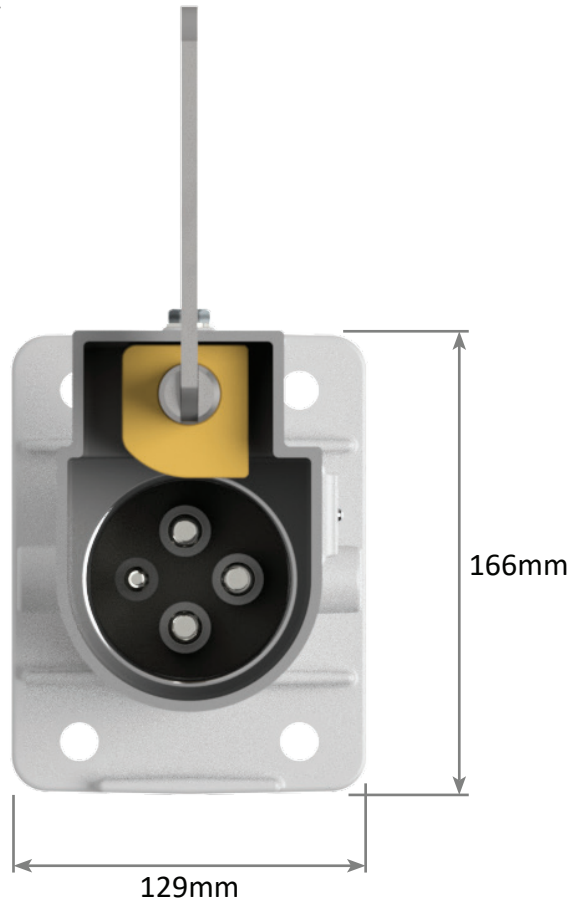
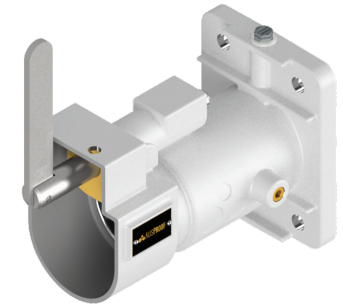
150A



# PS RANGE

## Restrained Plugs and Receptacles Flameproof

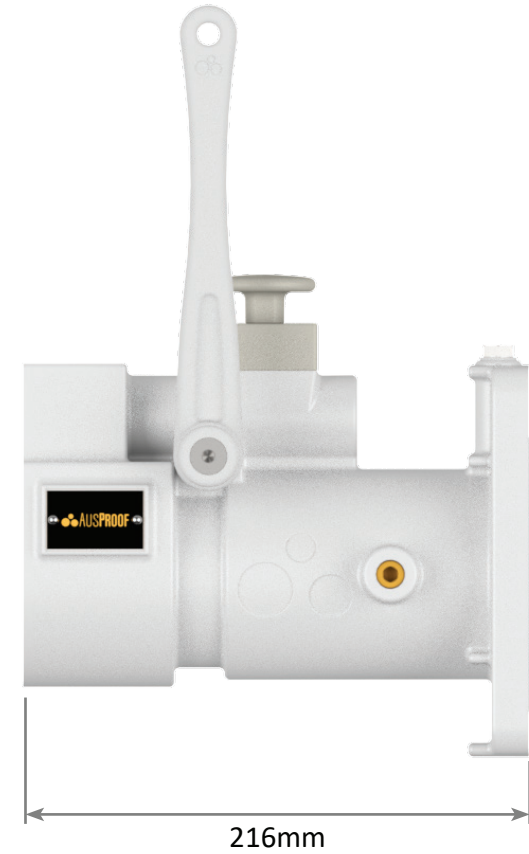
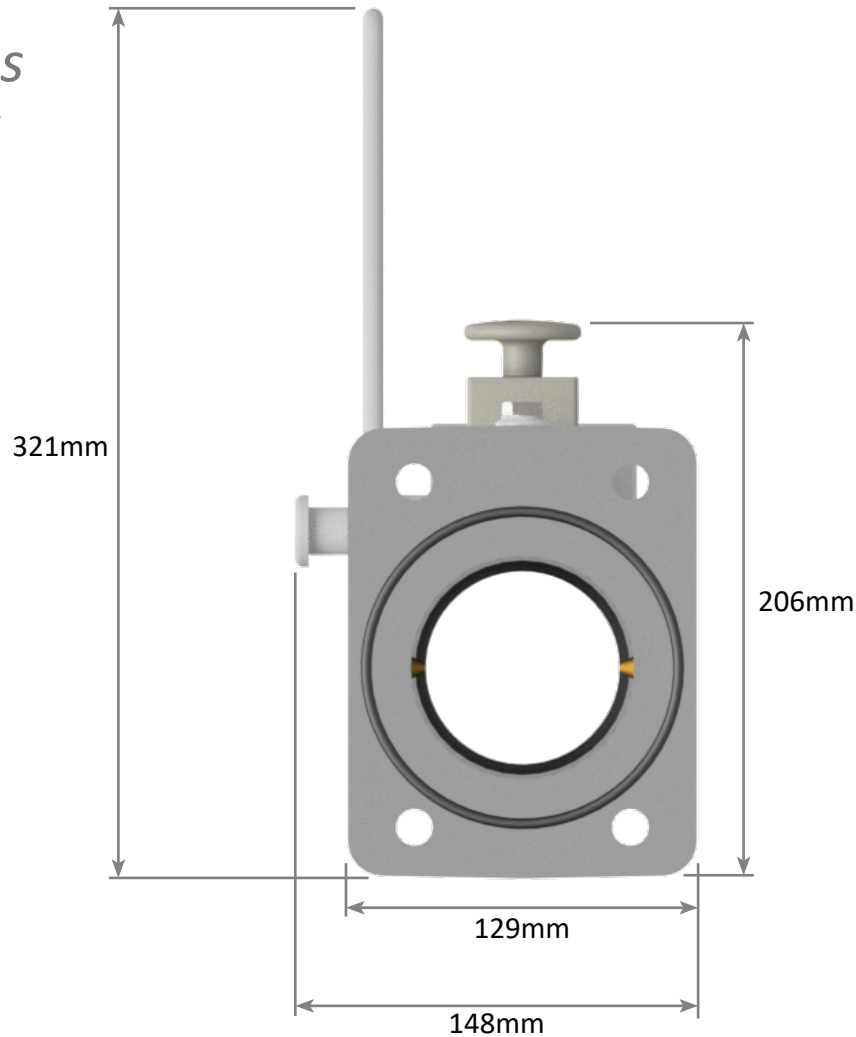
Front and Side View  
660V - 1100V  
150A



# PS RANGE

## Restrained Plugs and Receptacles Flameproof

Footprint Sizes  
660V - 1100V  
150A



# PS RANGE

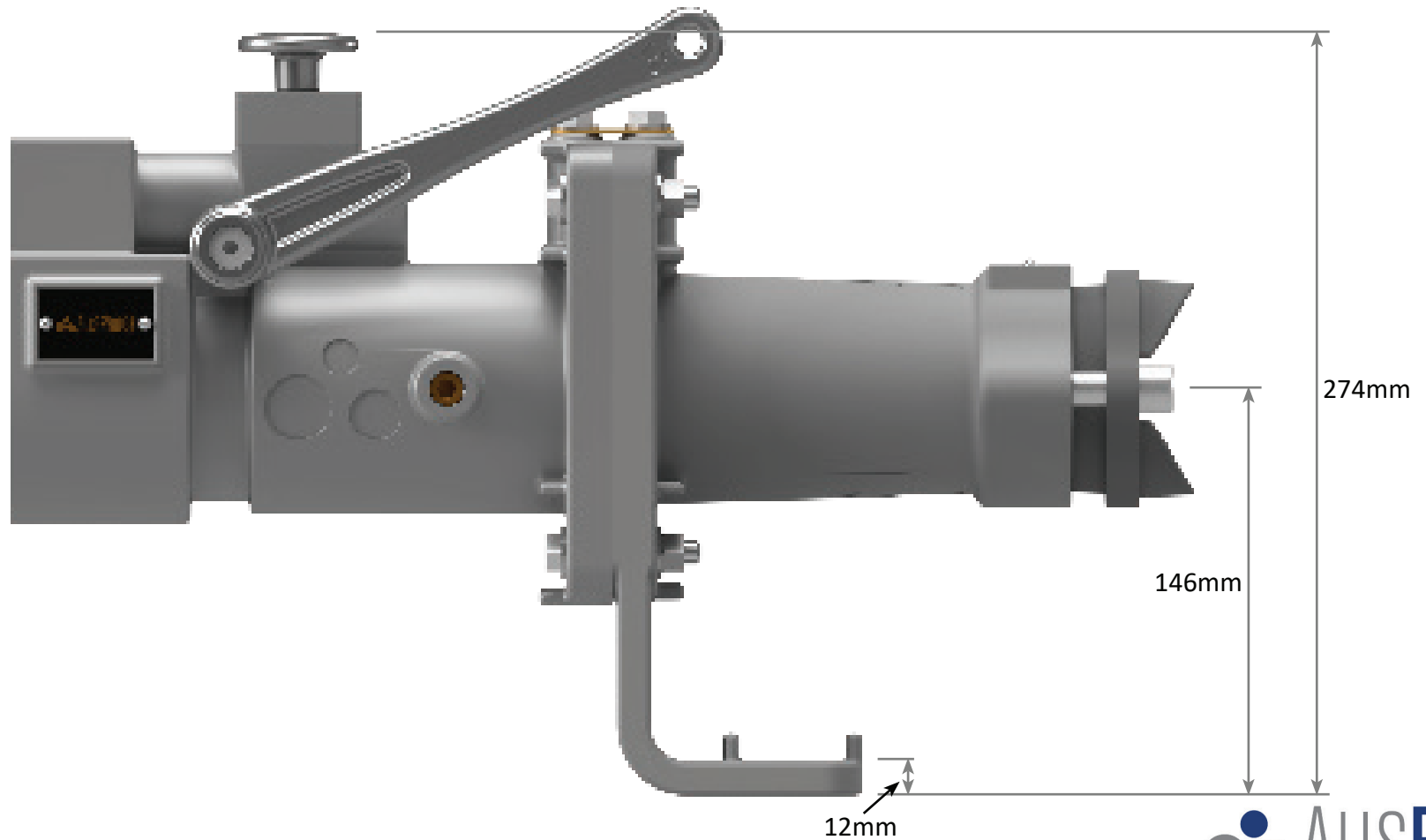
## Receptacle Gland Bracket

### Flameproof

Right Side View

660V - 1100V

150A



# PS RANGE

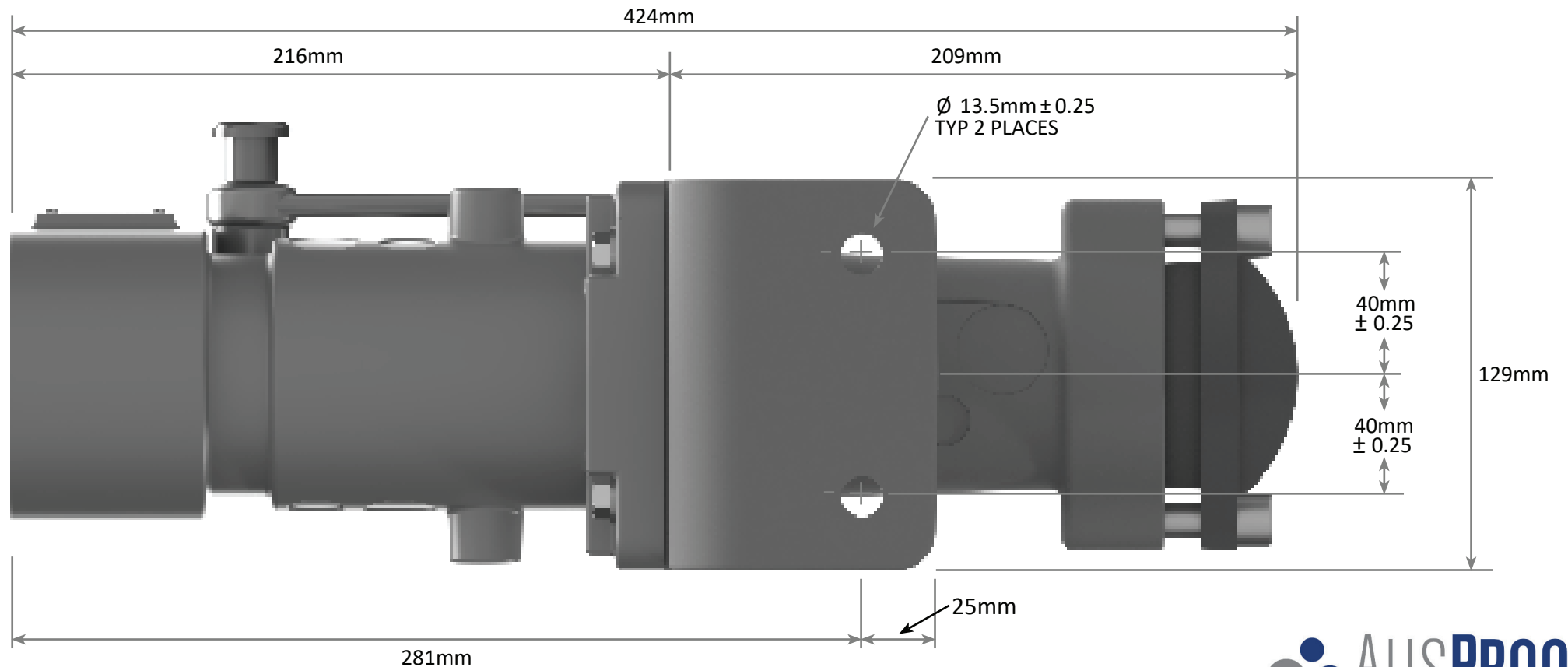
## Receptacle Gland Bracket

### Flameproof

Bottom Side View

660V - 1100V

150A



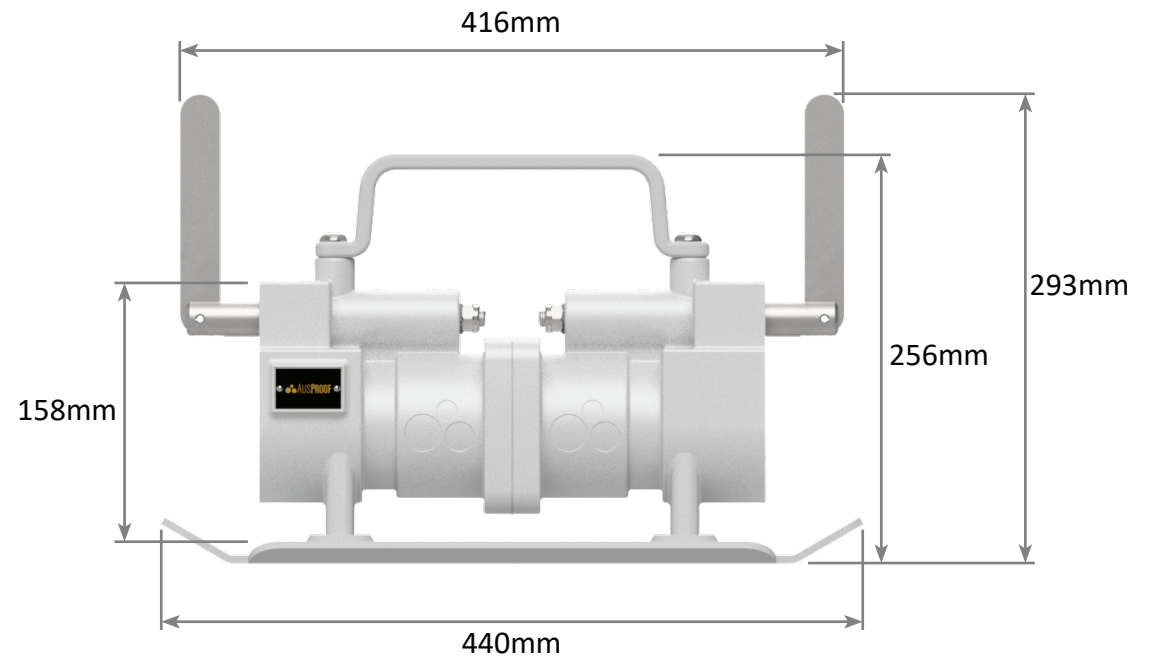
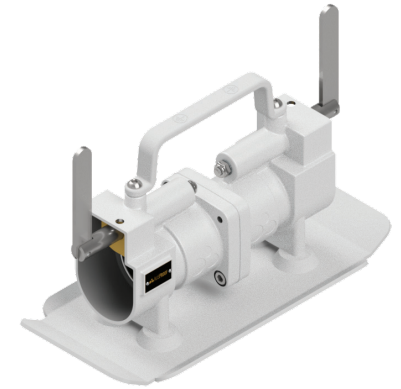
# PS RANGE

## Back to Back Receptacle Flameproof

Jack In

660V - 1100V

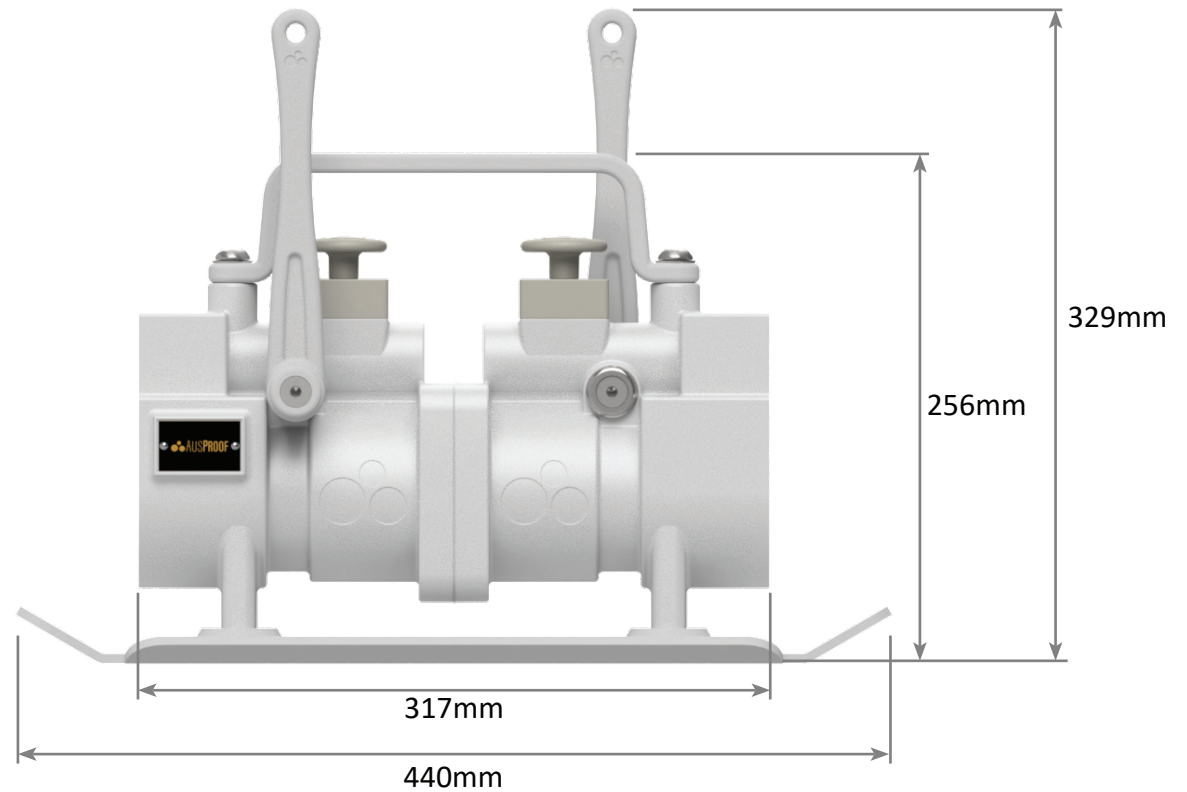
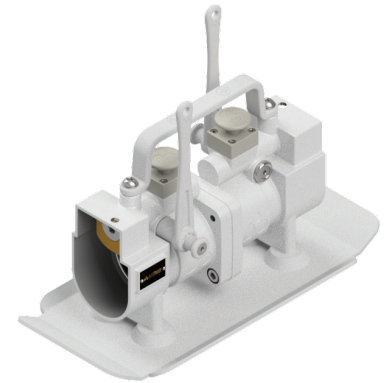
150A



# PS RANGE

## Back to Back Receptacle Flameproof

Quick Release  
660V - 1100V  
150A

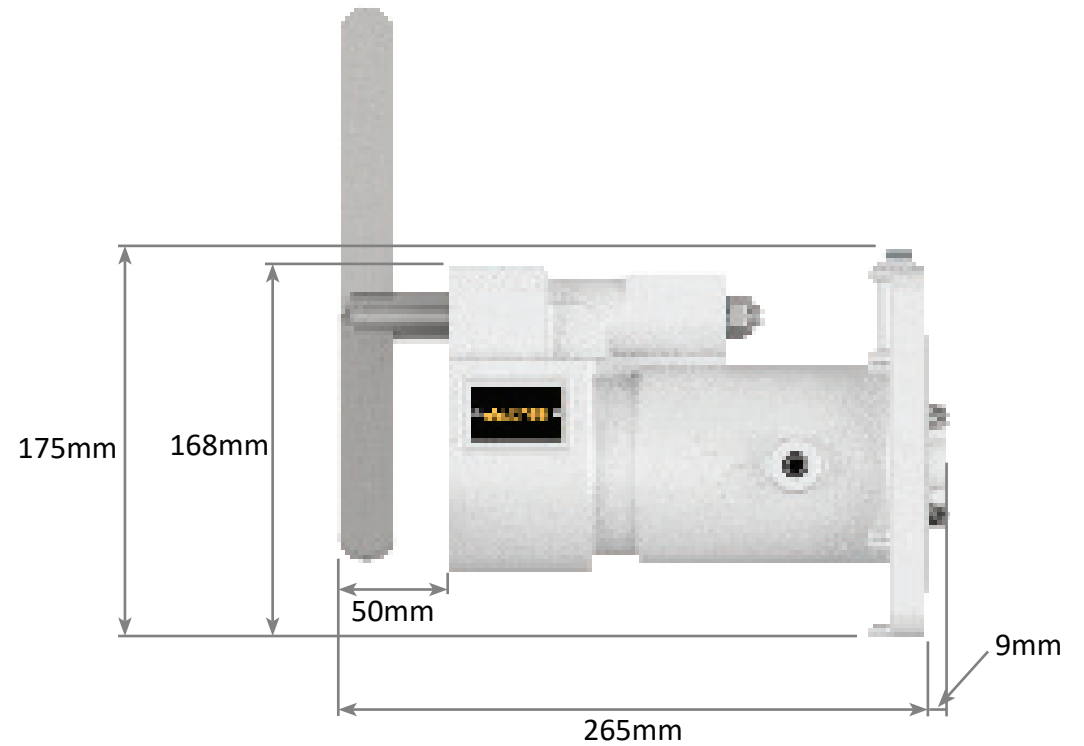
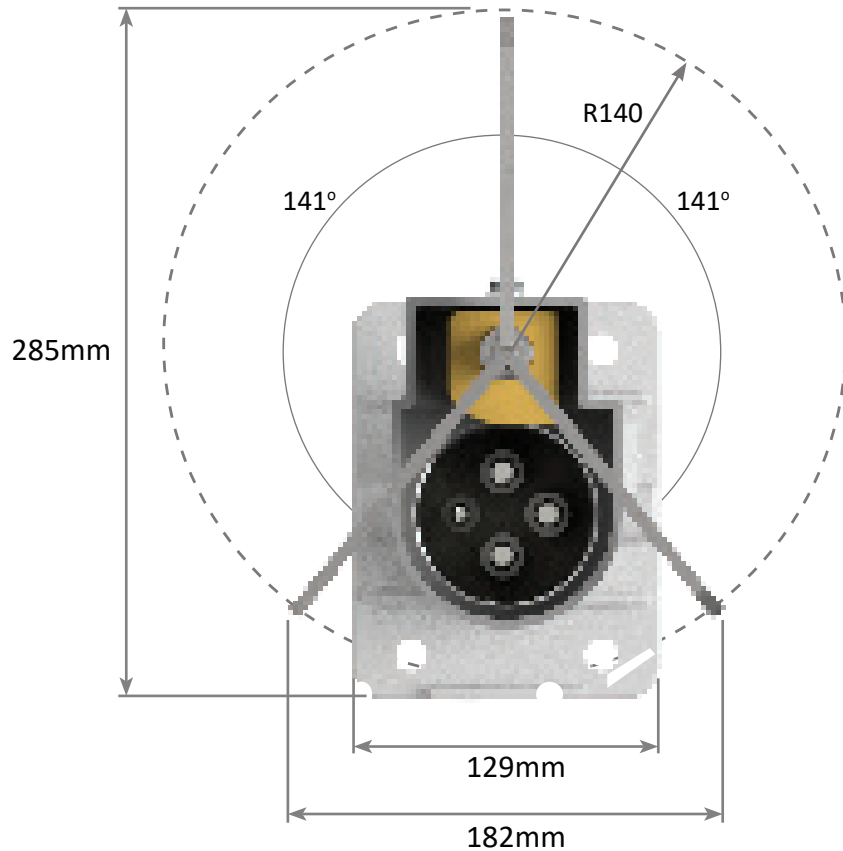


# PS RANGE

## Jack In Receptacle Handle Swing Flameproof

660V - 1100V

150A





# PS RANGE

## Quick Release Receptacle Handle Swing Flameproof

660V - 1100V

150A

