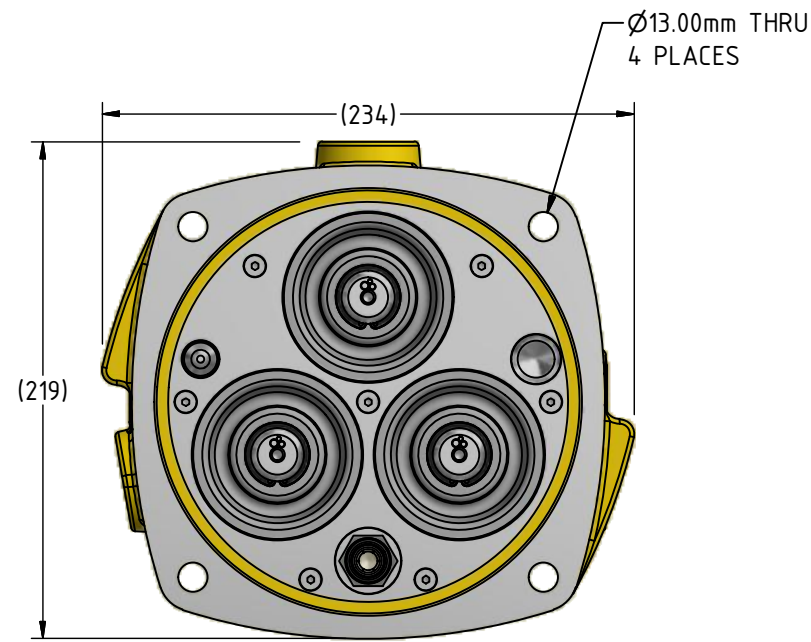
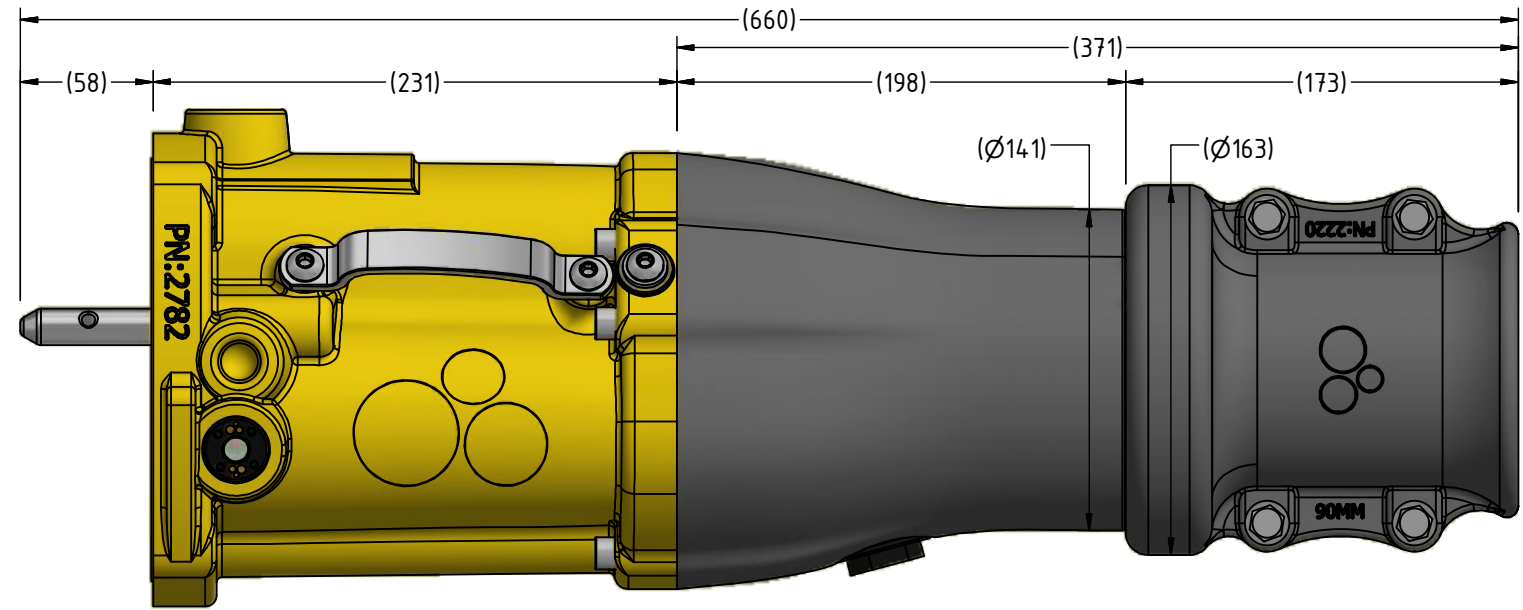


SMALL UNARMoured HOUSING

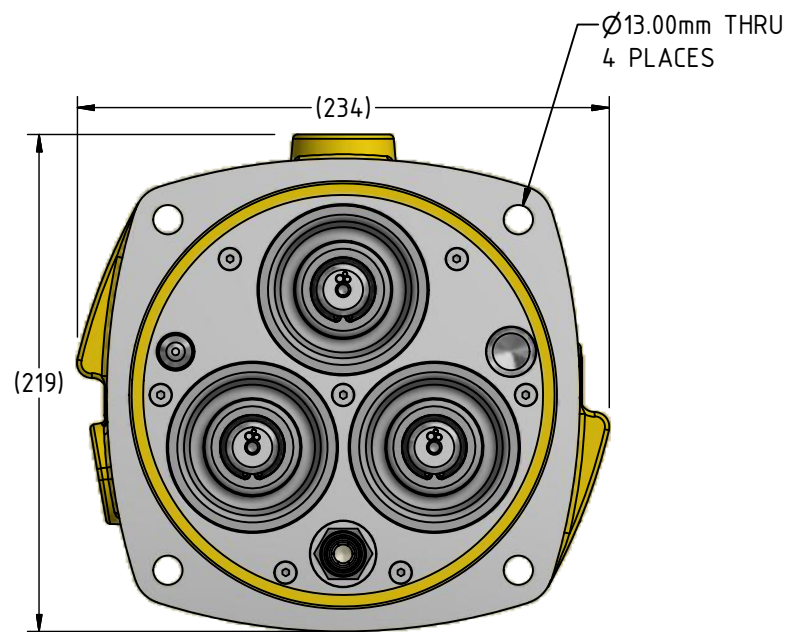


FRONT VIEW

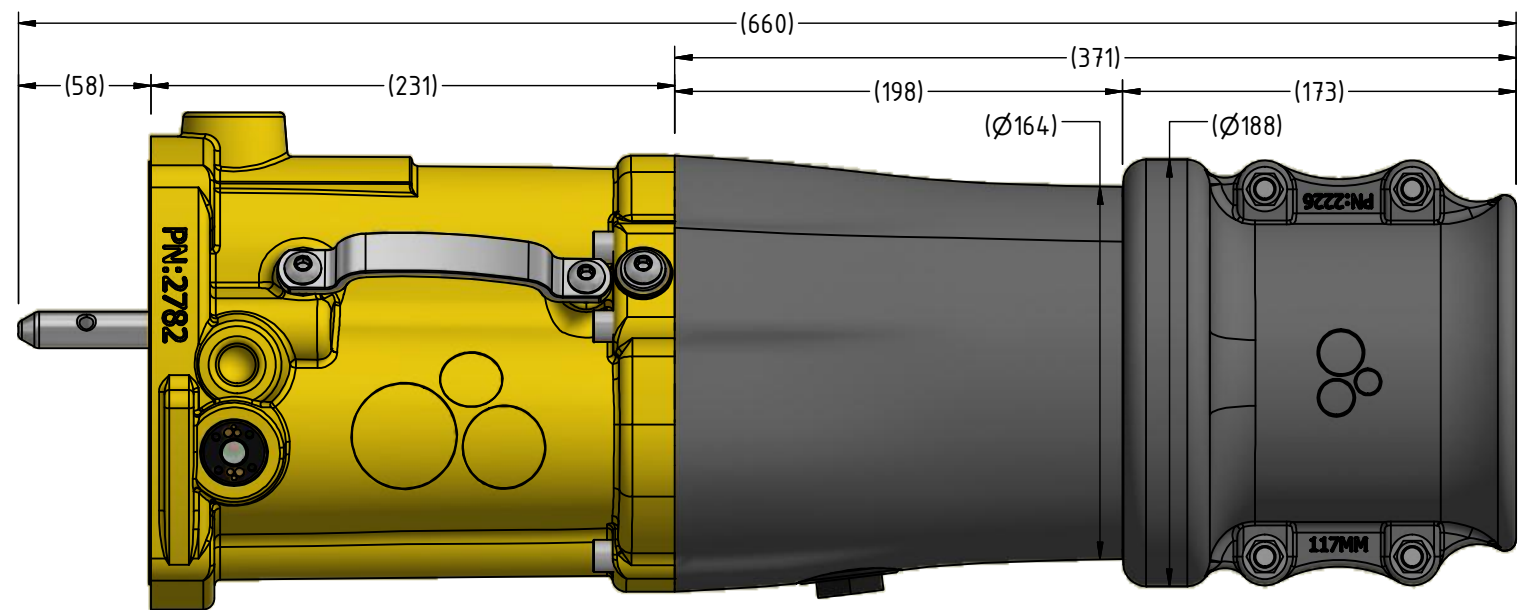


SIDE VIEW

LARGE UNARMoured HOUSING



FRONT VIEW



SIDE VIEW



DRAWN BY
L.BELL

APPROVED BY
D.MINENKO

PART NAME
6.6KA, 6.6KAMT, 6.6KAMTE, 6.6KAE - PRODUCT DIMENSIONS

DRAWN DATE
18/09/2023

SURFACE FINISH
MACHINED, PAINTED

SIZE
A3
UNLESS OTHERWISE SPECIFIED
DIMENSIONS (Metric-millimetre-mm)
ALL SURFACE FINISHES TO ✓



SHEET
1 OF 6
ENG DWG

DRAWING NOT TO SCALE
Request Dimensions If In Doubt

PART NO.

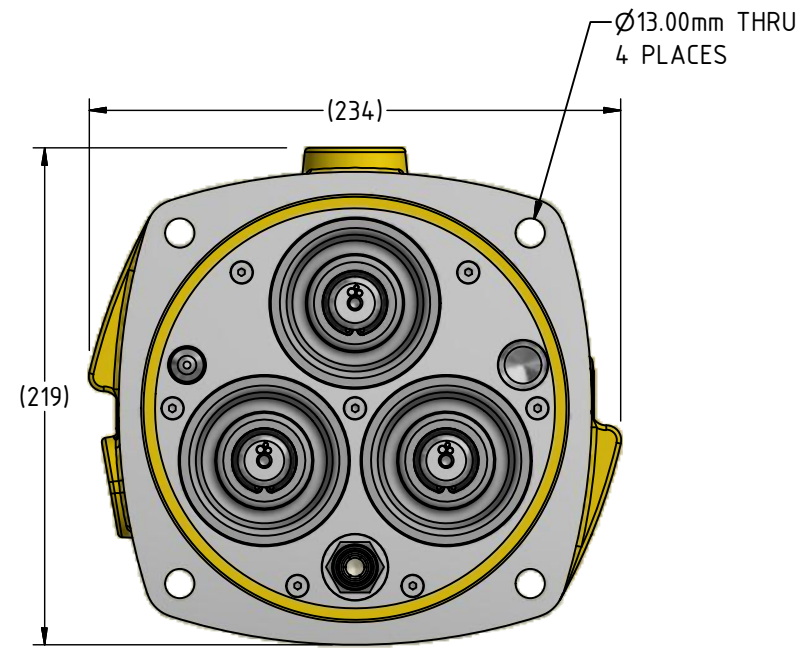
MATERIAL
ALUMINIUM, STAINLESS, COPPER, SILICONE

REV
1

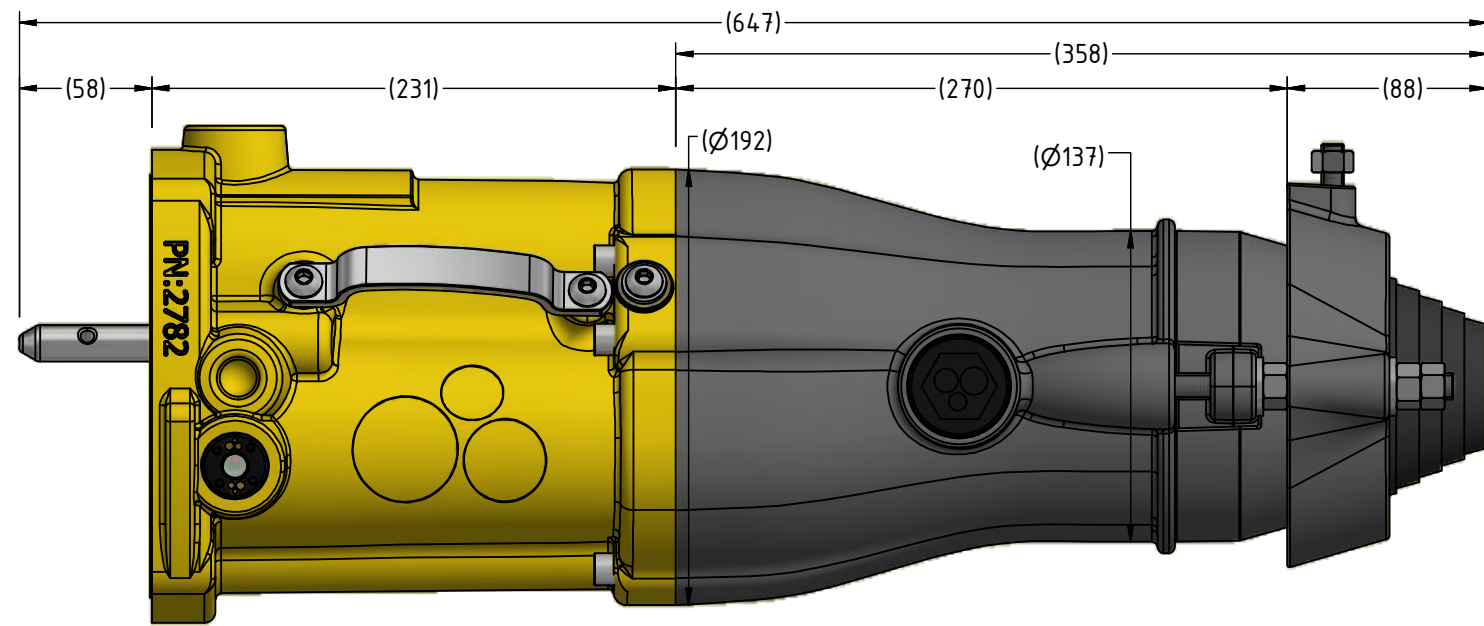
REVISION HISTORY

REV	DESCRIPTION	DATE
1	INITIAL RELEASE	18/09/2023

SMALL ARMOURED HOUSING

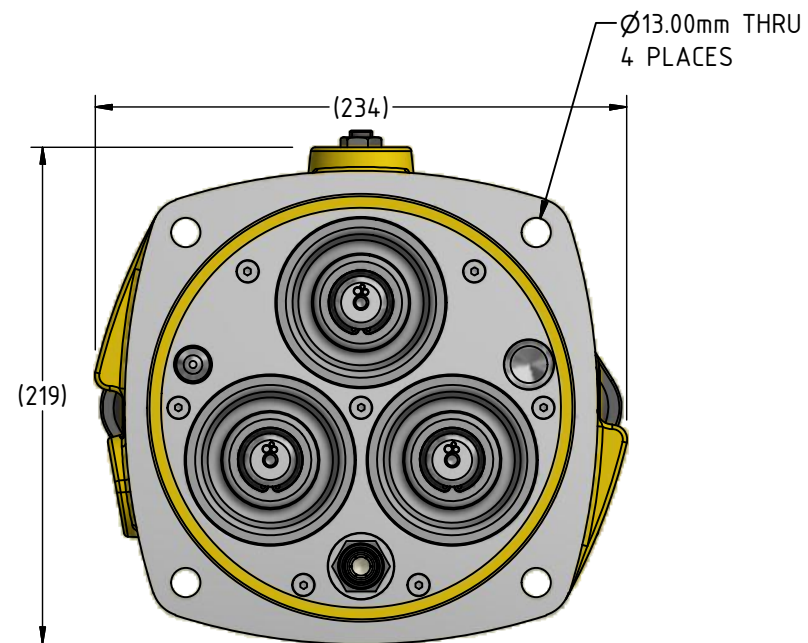


FRONT VIEW

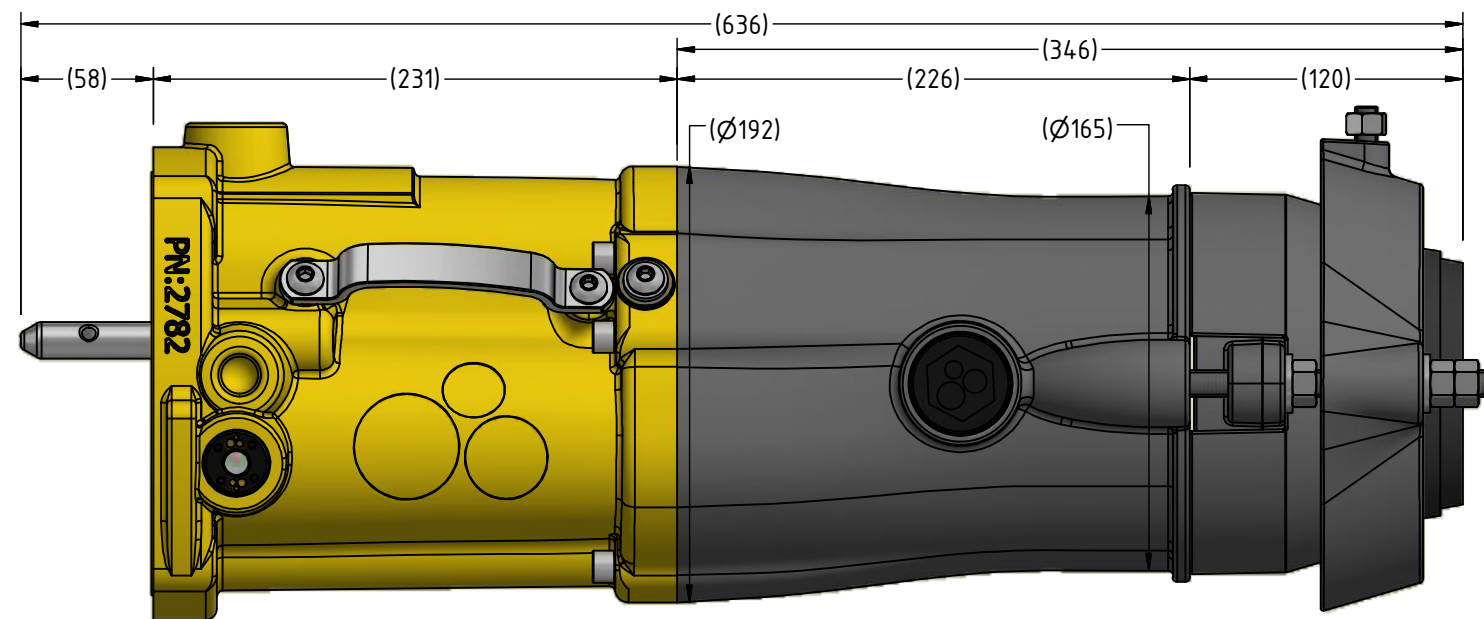


SIDE VIEW

LARGE ARMOURED HOUSING



FRONT VIEW



SIDE VIEW



DRAWN BY
L.BELL

PART NAME
6.6KA, 6.6KAMT, 6.6KAMTE, 6.6KAE - PRODUCT DIMENSIONS

APPROVED BY
D.MINENKO

DRAWN DATE
18/09/2023

SURFACE FINISH
MACHINED, PAINTED

SIZE
A3



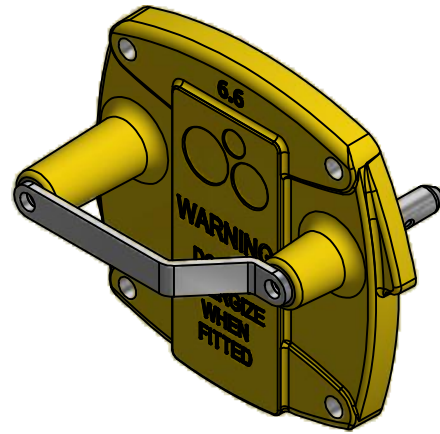
SHEET
2 OF 6
ENG DWG

DRAWING NOT TO SCALE
Request Dimensions If In Doubt

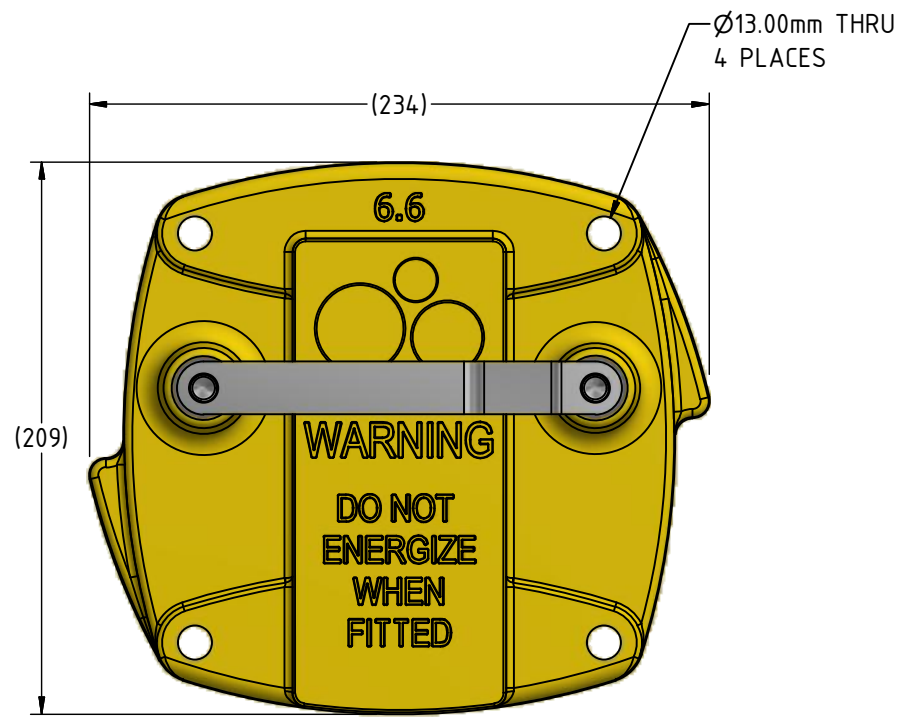
PART NO.
MATERIAL
ALUMINIUM, SILICONE, COPPER, STAINLESS

REVISION HISTORY		
REV	DESCRIPTION	DATE
1	INITIAL RELEASE	18/09/2023

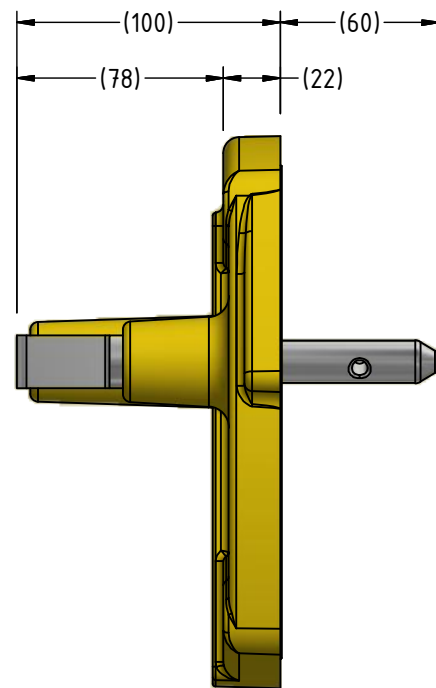
CAST PROTECTION COVER



ISOMETRIC VIEW

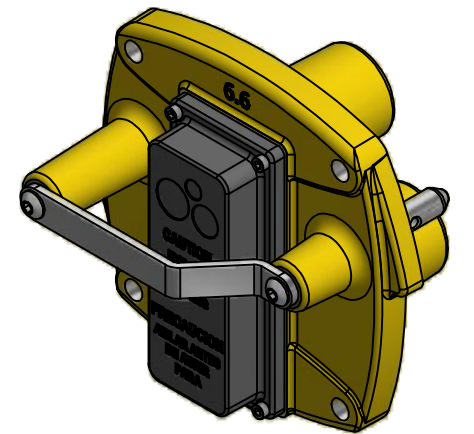


FRONT VIEW

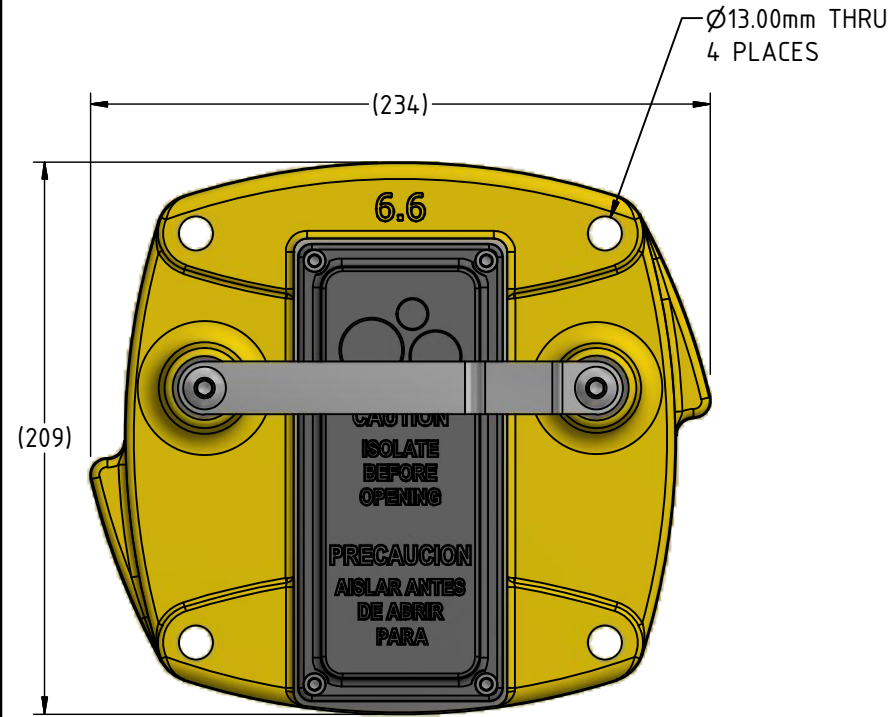


SIDE VIEW

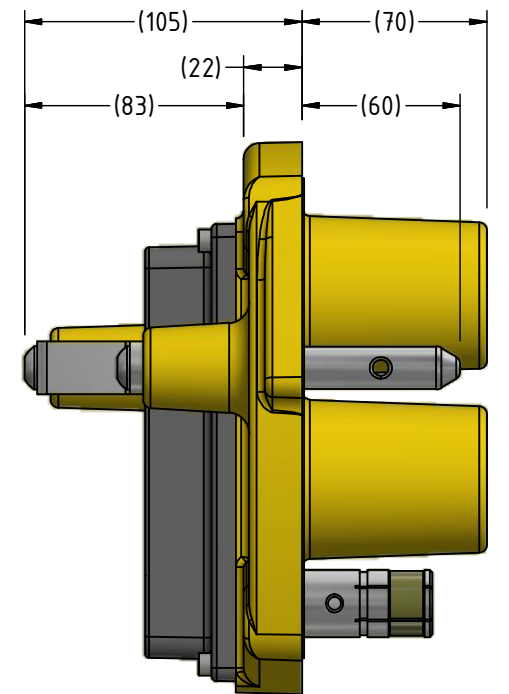
INSULATED END COVER



ISOMETRIC VIEW



FRONT VIEW



SIDE VIEW



DRAWN BY
L.BELL
APPROVED BY
D.MINENKO

PART NAME
6.6KA, 6.6KAMT, 6.6KAMTE, 6.6KAE - PRODUCT DIMENSIONS
DRAWN DATE
18/09/2023
SURFACE FINISH
MACHINED, PAINTED

SIZE
A3
UNLESS OTHERWISE SPECIFIED
DIMENSIONS (Metric-millimetre-mm)
ALL SURFACE FINISHES TO ✓



SHEET
3 OF 6
ENG DWG

DRAWING NOT TO SCALE
Request Dimensions If In Doubt

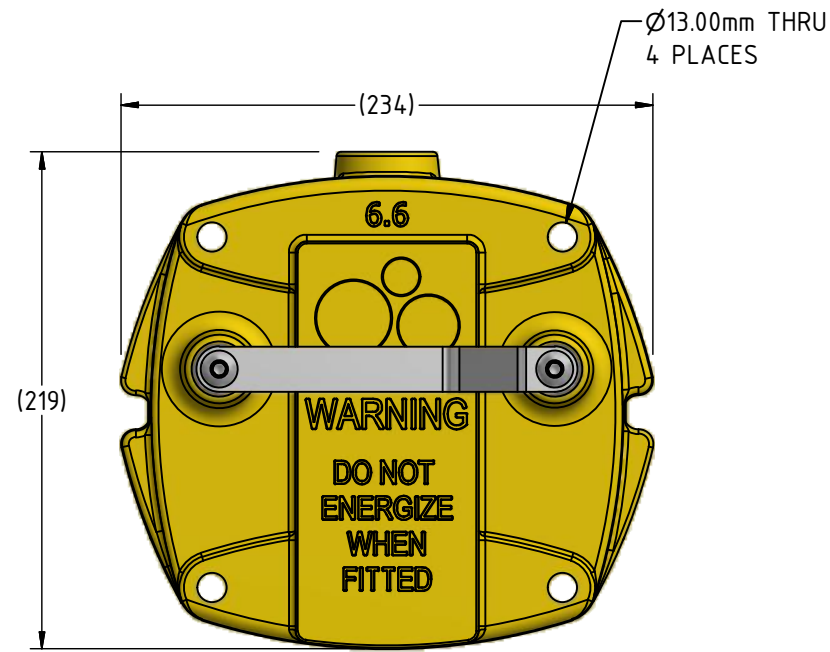
PART NO.
MATERIAL
ALUMINIUM, STAINLESS, SILICONE

REV
1

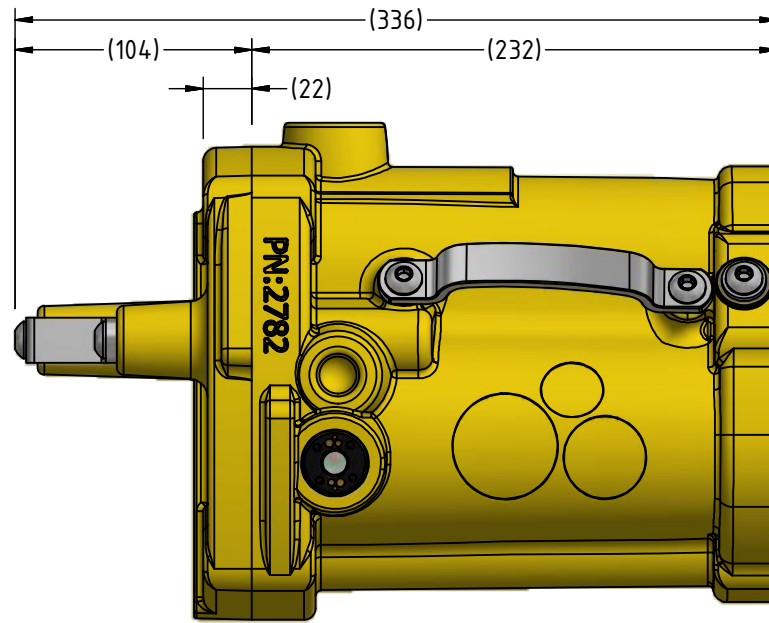
REVISION HISTORY

DESCRIPTION	DATE
INITIAL RELEASE	18/09/2023

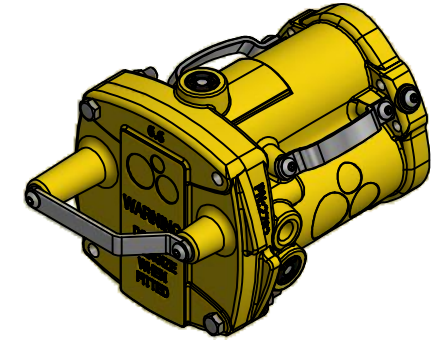
CAST PROTECTION COVER



FRONT VIEW

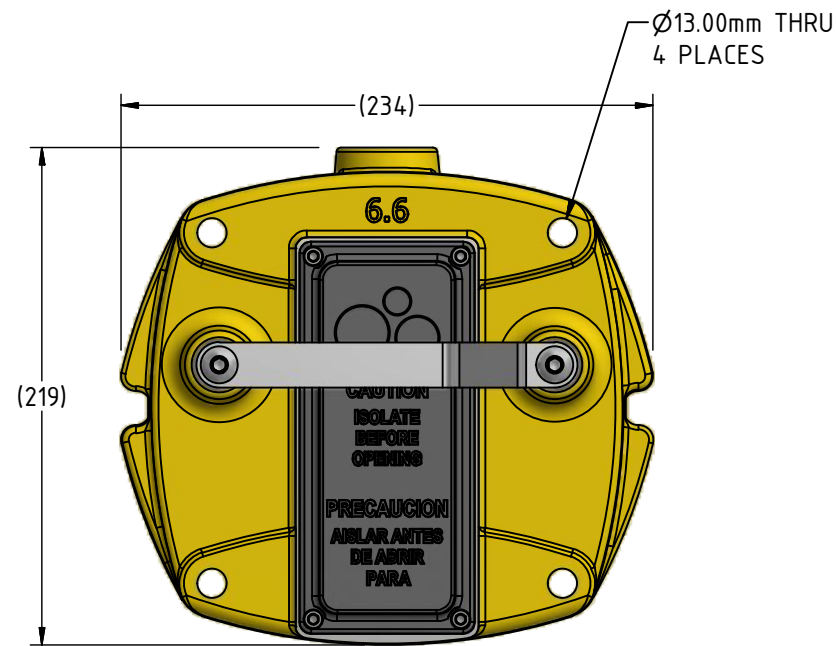


SIDE VIEW

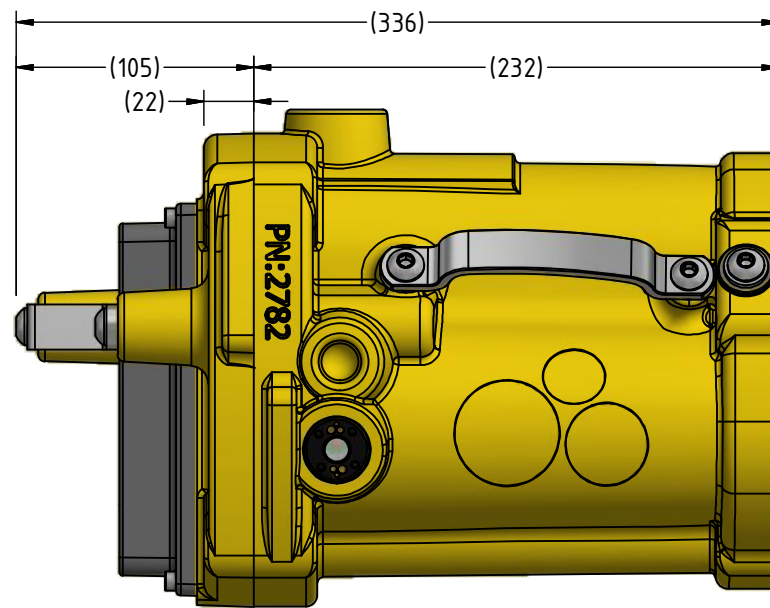


ISOMETRIC VIEW

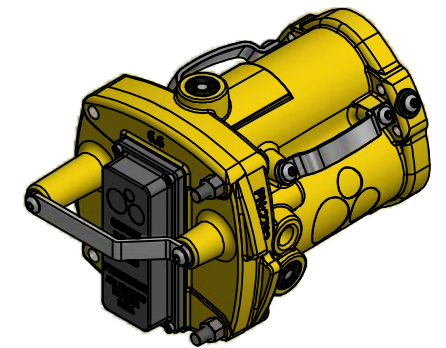
INSULATED END COVER



FRONT VIEW



SIDE VIEW



ISOMETRIC VIEW



DRAWN BY
L.BELL

APPROVED BY
D.MINENKO

PART NAME
6.6KA, 6.6KAMT, 6.6KAMTE, 6.6KAE - PRODUCT DIMENSIONS

DRAWN DATE
18/09/2023

SURFACE FINISH
MACHINED, PAINTED

SIZE
A3
UNLESS OTHERWISE SPECIFIED
DIMENSIONS (Metric-millimetre-mm)
ALL SURFACE FINISHES TO



THIRD ANGLE
PROJECTION
SHEET
4 OF 6
ENG DWG

DRAWING NOT TO SCALE
Request Dimensions If In Doubt

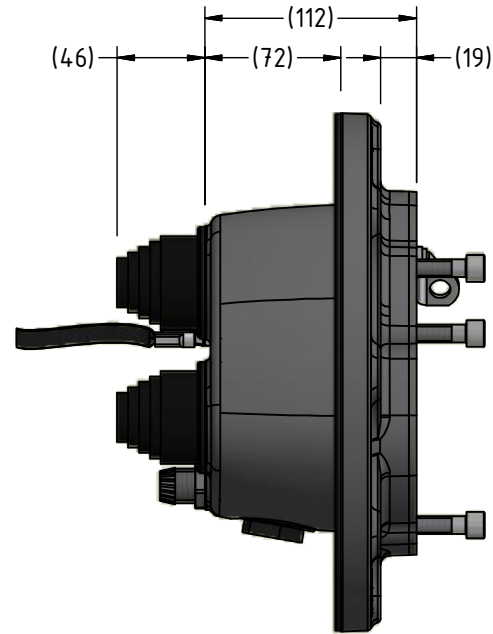
PART NO.
MATERIAL
ALUMINIUM, STAINLESS, SILICONE

REV
1

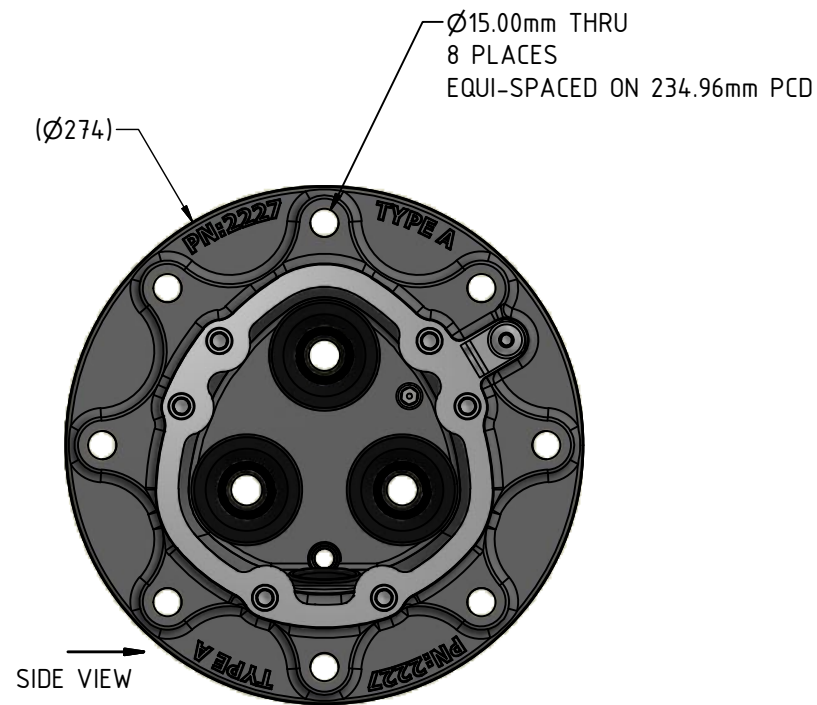
REVISION HISTORY

DESCRIPTION	DATE
INITIAL RELEASE	18/09/2023

ADAPTOR TYPE A

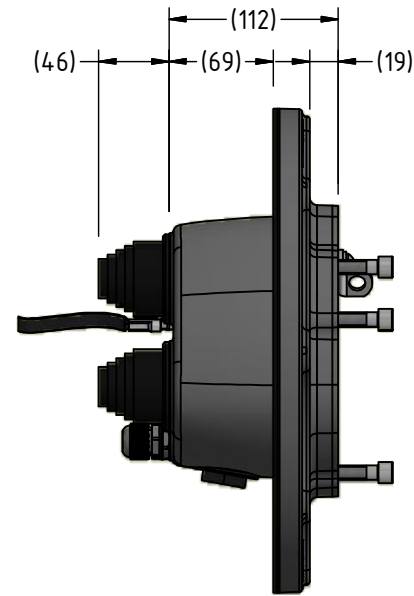


SIDE VIEW

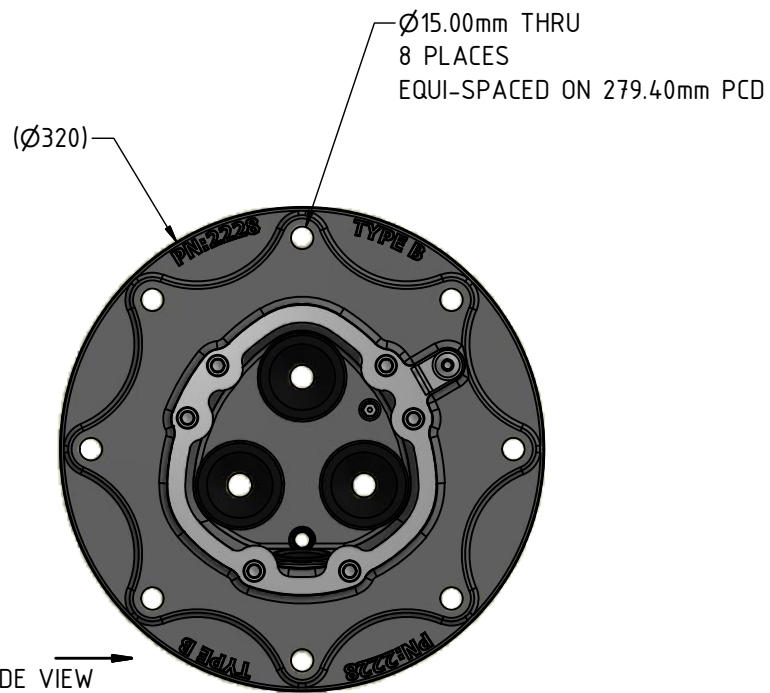


FRONT VIEW

ADAPTOR TYPE B

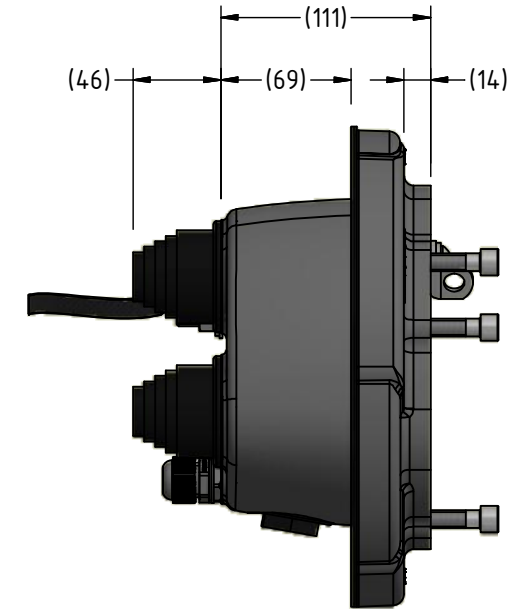


SIDE VIEW

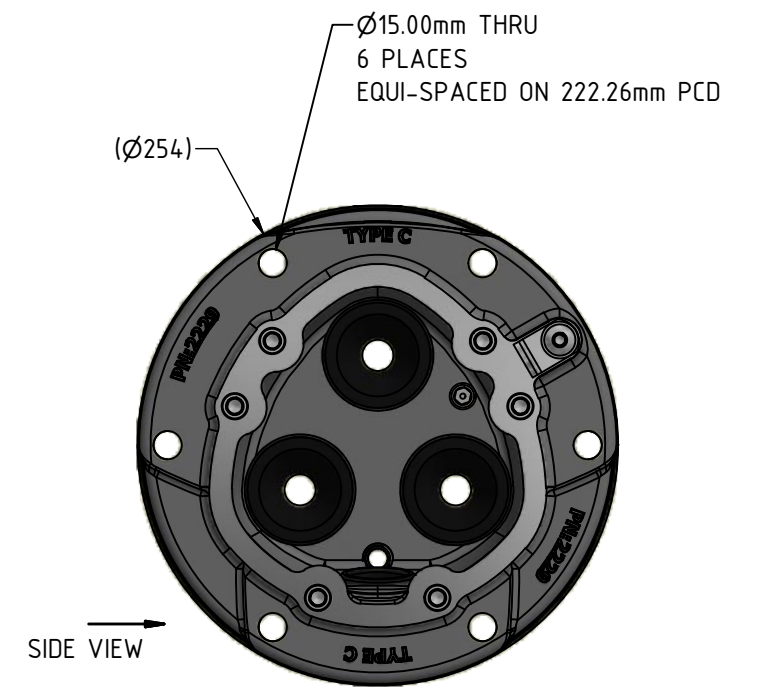


FRONT VIEW

ADAPTOR TYPE C



SIDE VIEW



FRONT VIEW



DRAWN BY
L.BELL

PART NAME
6.6KA, 6.6KAMT, 6.6KAMTE, 6.6KAE - PRODUCT DIMENSIONS

APPROVED BY
D.MINENKO

DRAWN DATE
18/09/2023

SURFACE FINISH

MACHINED

SIZE
A3

UNLESS OTHERWISE SPECIFIED
DIMENSIONS (Metric-millimetre-mm)
ALL SURFACE FINISHES TO



SHEET
5 OF 6
ENG DWG

DRAWING NOT TO SCALE
Request Dimensions If In Doubt

PART NO.

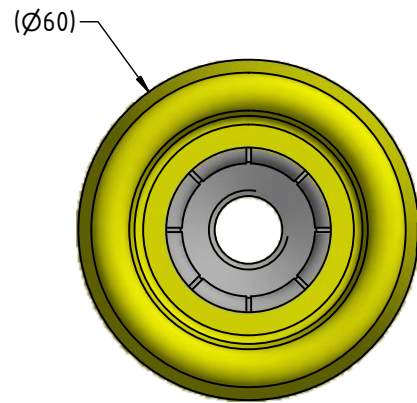
MATERIAL
ALUMINIUM, SILICONE

REV
1

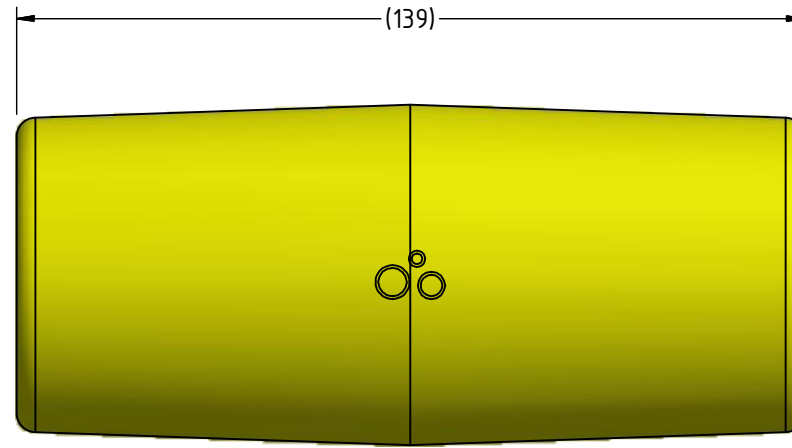
REVISION HISTORY

DESCRIPTION	DATE
INITIAL RELEASE	18/09/2023

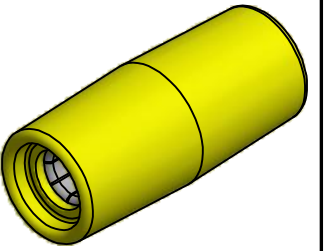
PHASE CONNECTOR



FRONT VIEW

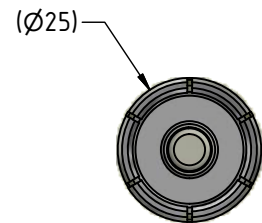


SIDE VIEW

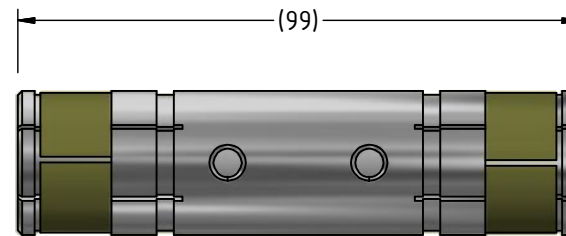


ISOMETRIC VIEW

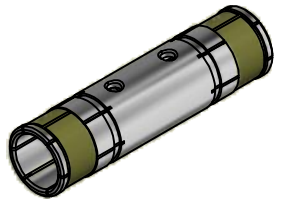
EARTH PILOT CONNECTOR



FRONT VIEW



SIDE VIEW



ISOMETRIC VIEW



DRAWN BY
L.BELL

PART NAME
6.6KA, 6.6KAMT, 6.6KAMTE, 6.6KAE - PRODUCT DIMENSIONS

APPROVED BY
D.MINENKO

DRAWN DATE
18/09/2023

SURFACE FINISH

MACHINED, MOULDED

SIZE
A3

UNLESS OTHERWISE SPECIFIED
DIMENSIONS (Metric-millimetre-mm)
ALL SURFACE FINISHES TO ✓



SHEET
6 OF 6
ENG DWG

DRAWING NOT TO SCALE
Request Dimensions If In Doubt

PART NO.

MATERIAL
SILICONE, COPPER, ALUMINIUM, STAINLESS

REV
1

REVISION HISTORY

DESCRIPTION	DATE
INITIAL RELEASE	18/09/2023

DATE
18/09/2023