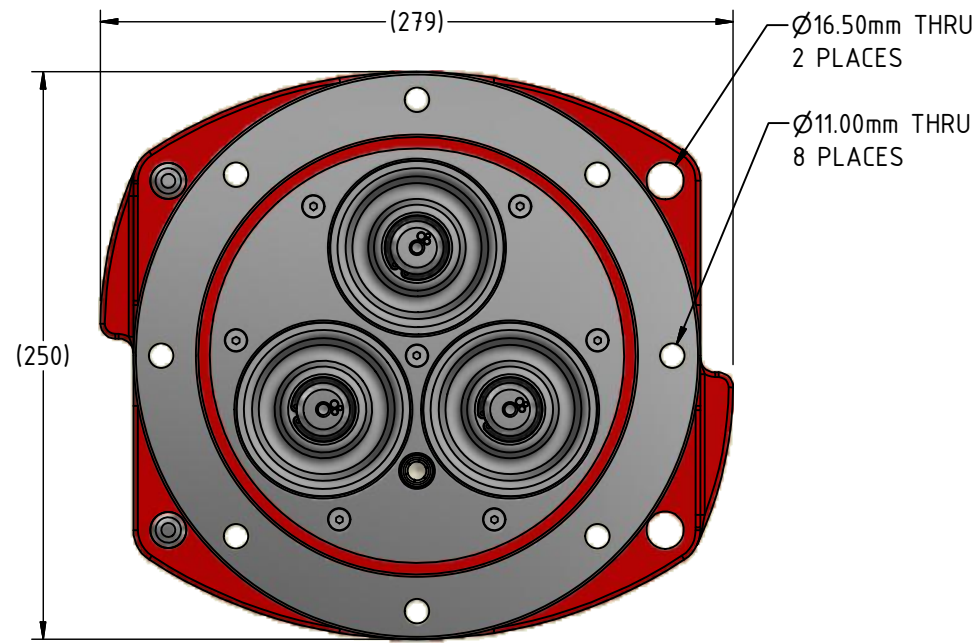
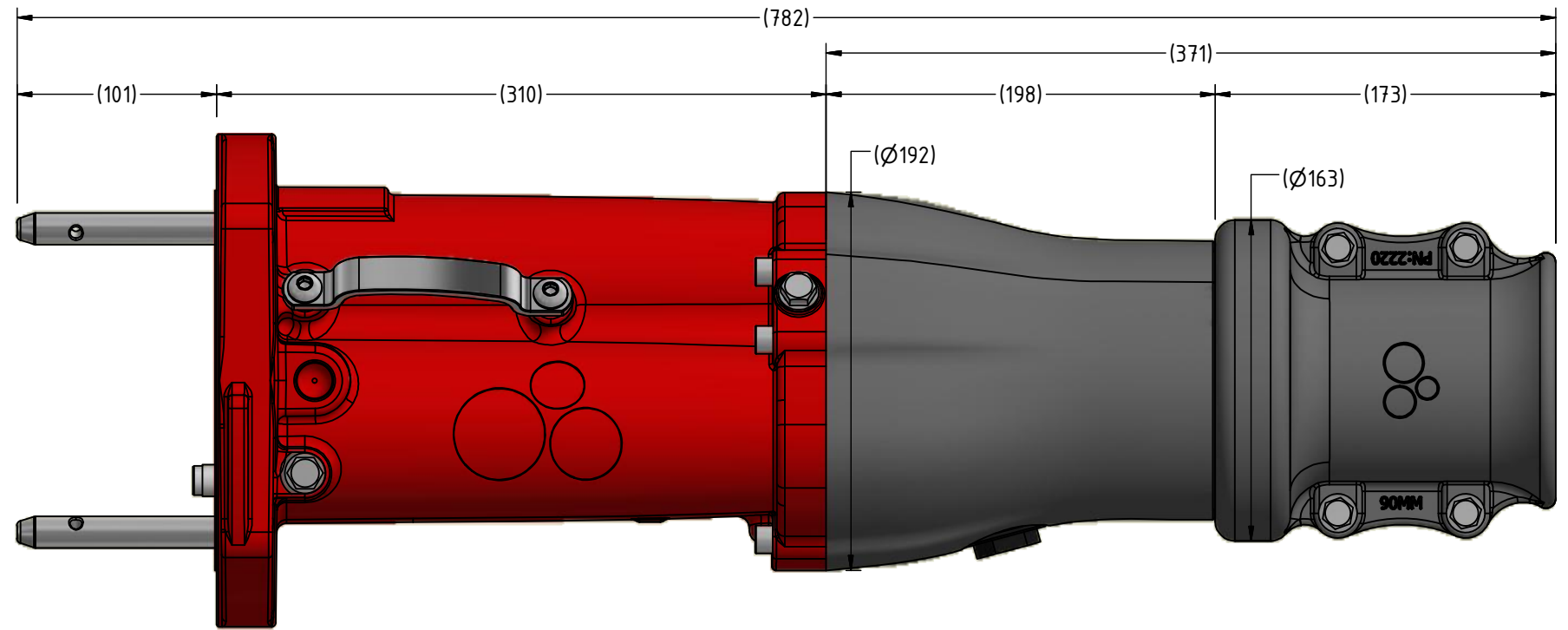


SMALL UNARMoured HOUSING

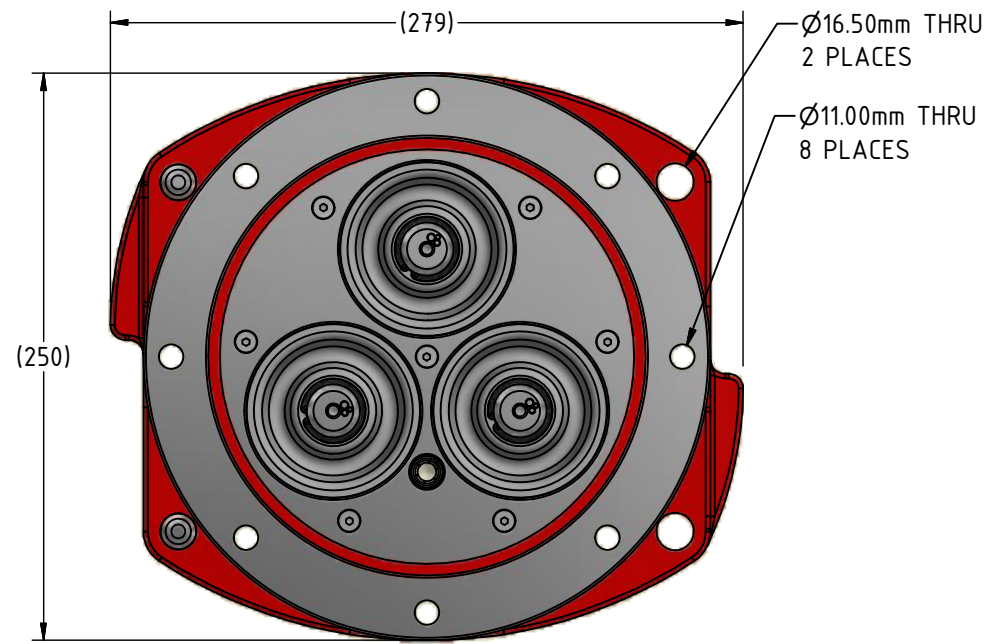


FRONT VIEW

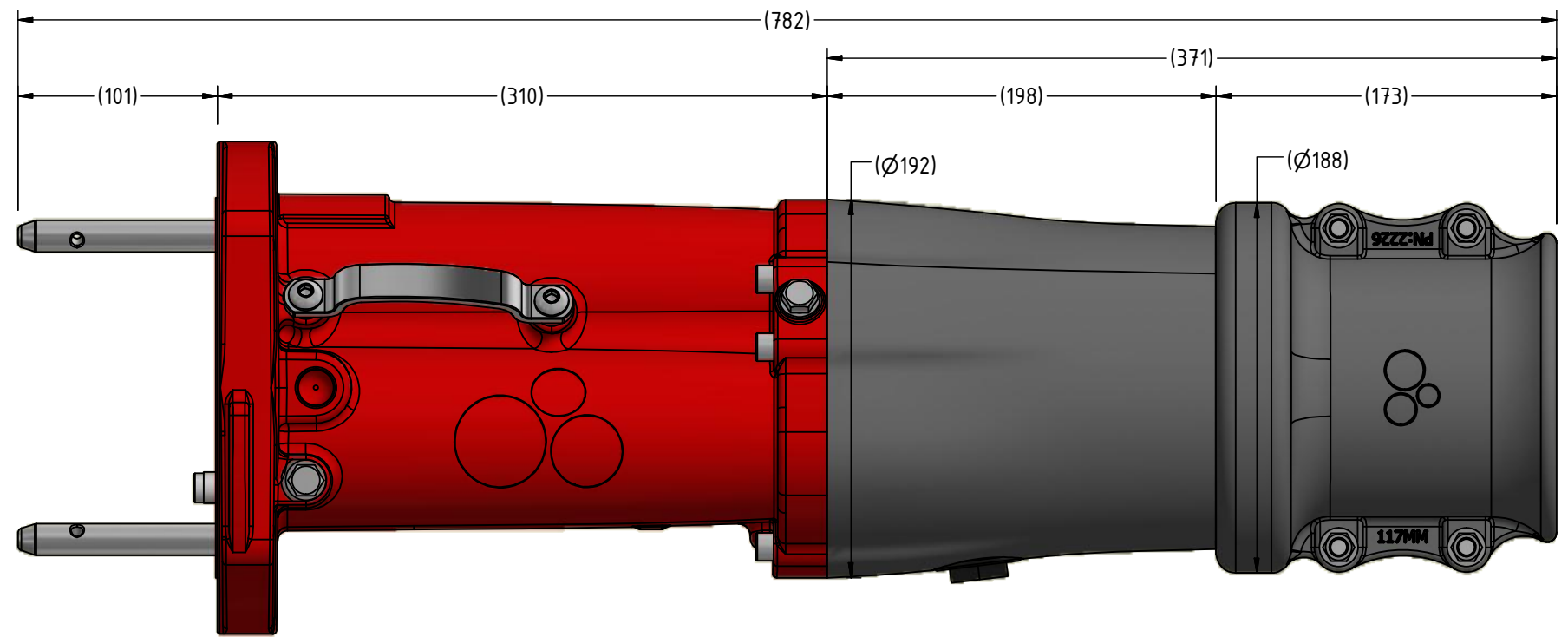


SIDE VIEW

LARGE UNARMoured HOUSING



FRONT VIEW



SIDE VIEW



DRAWN BY
L.BELL

PART NAME
118BKA - PRODUCT DIMENSIONS

APPROVED BY
D.MINENKO

DRAWN DATE
18/09/2023

SURFACE FINISH
MACHINED, PAINTED

SIZE
A3
UNLESS OTHERWISE SPECIFIED
DIMENSIONS (Metric-millimetre-mm)
ALL SURFACE FINISHES TO



SHEET
1 OF 6
ENG DWG

DRAWING NOT TO SCALE
Request Dimensions If In Doubt

PART NO.

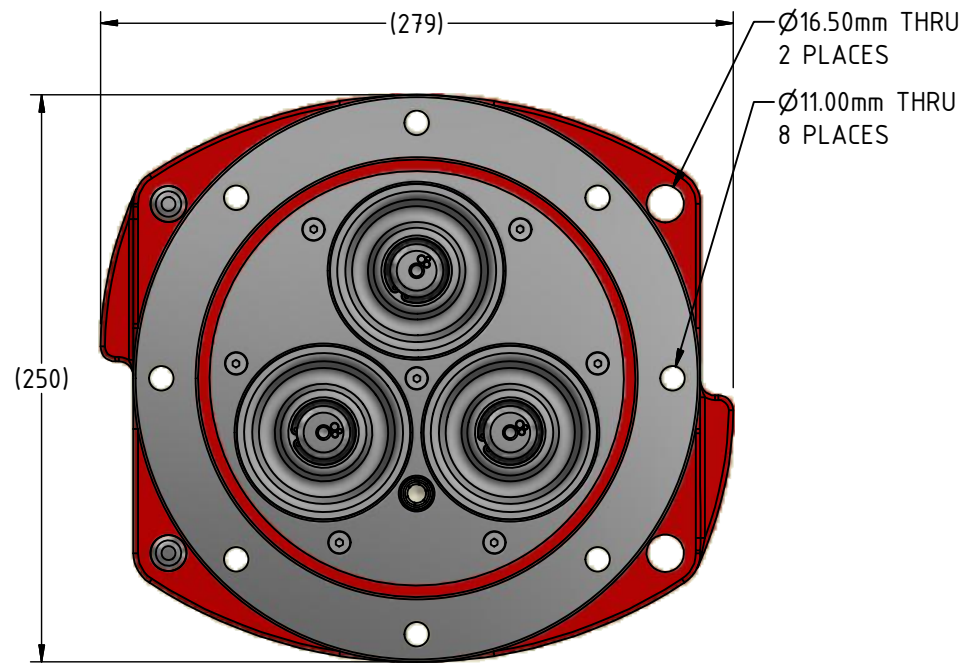
MATERIAL
ALUMINIUM, STAINLESS, COPPER, SILICONE

REV
1

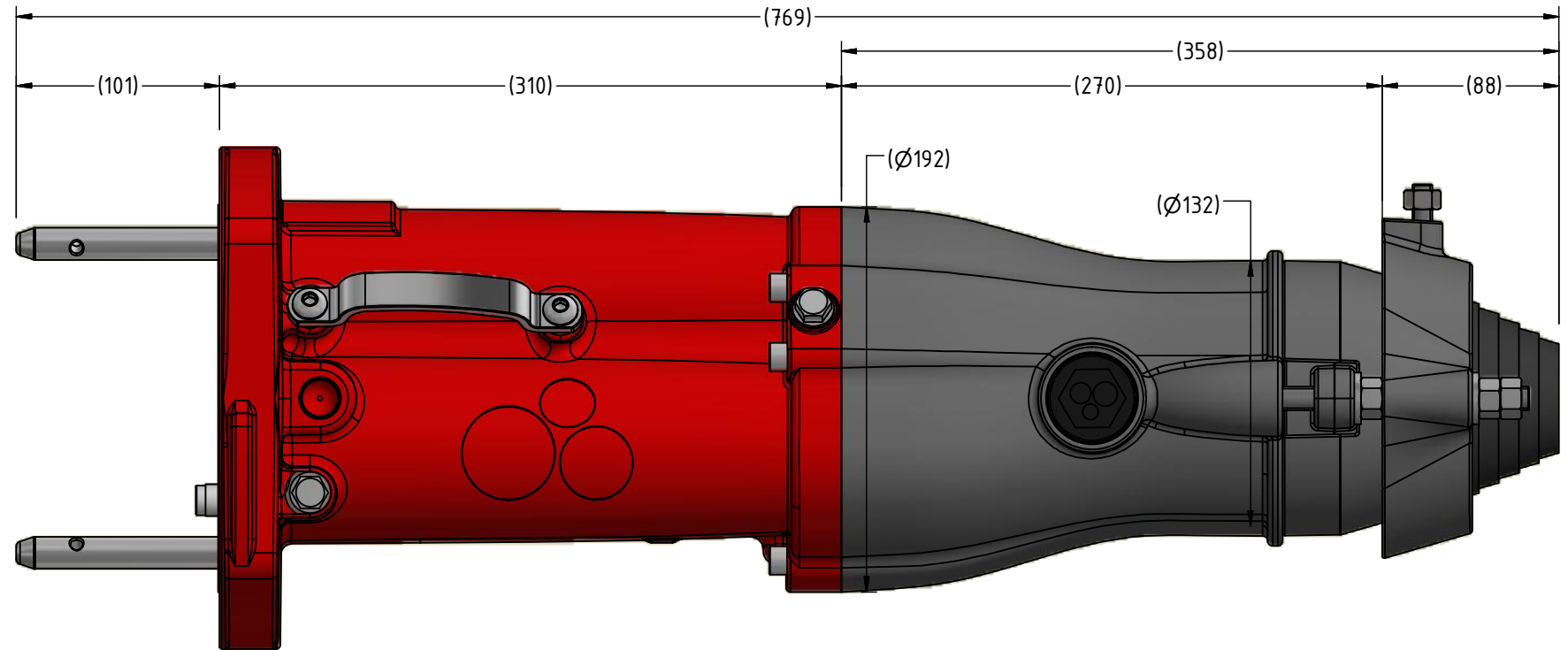
REVISION HISTORY

DESCRIPTION	DATE
INITIAL RELEASE	18/09/2023

SMALL ARMOURED HOUSING

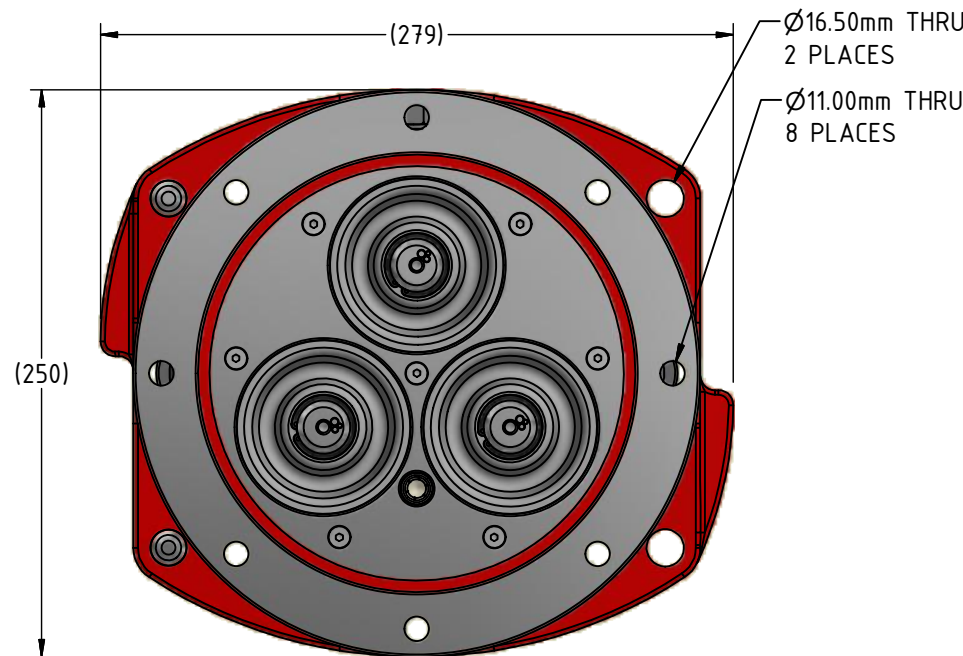


FRONT VIEW

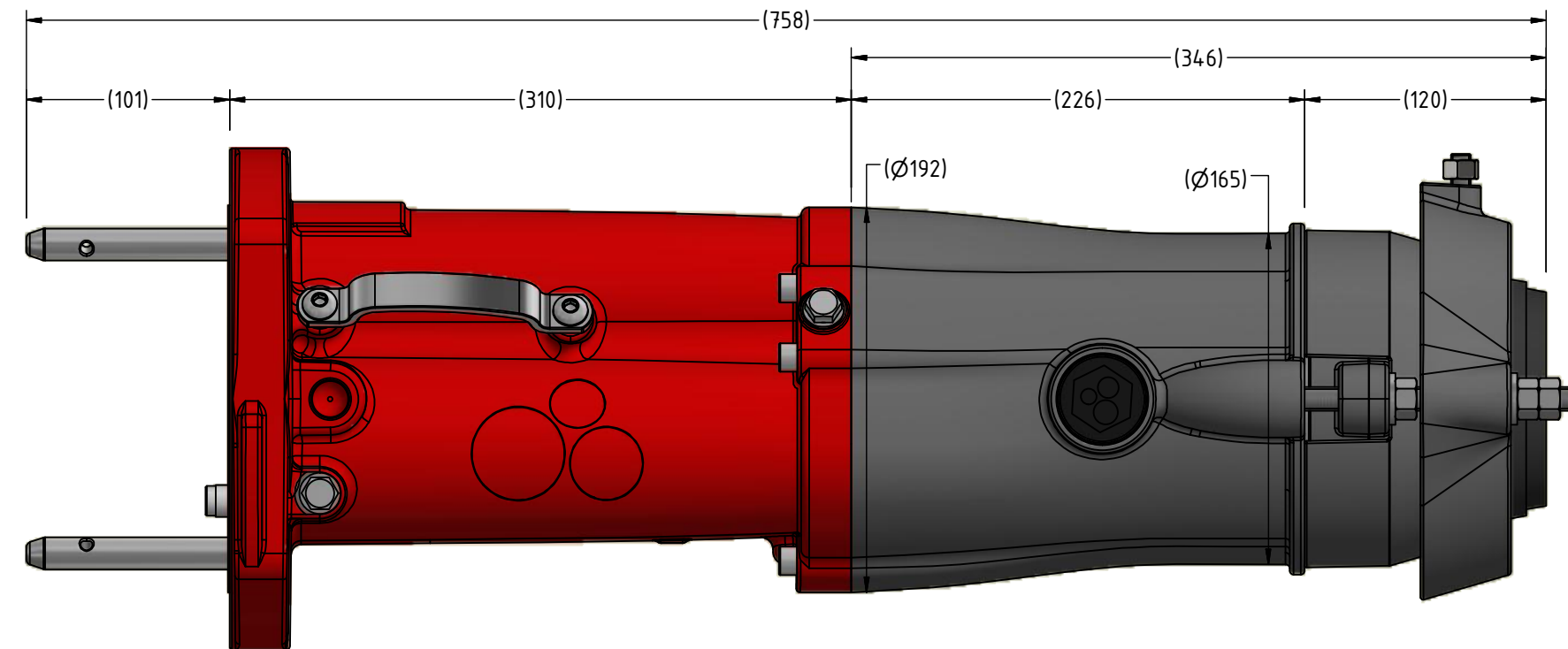


SIDE VIEW

LARGE ARMOURED HOUSING



FRONT VIEW



SIDE VIEW



DRAWN BY
L.BELL

PART NAME
118BKA - PRODUCT DIMENSIONS

APPROVED BY
D.MINENKO

DRAWN DATE
18/09/2023

SURFACE FINISH
MACHINED, PAINTED

SIZE
A3



SHEET
2 OF 6
ENG DWG

DRAWING NOT TO SCALE
Request Dimensions If In Doubt

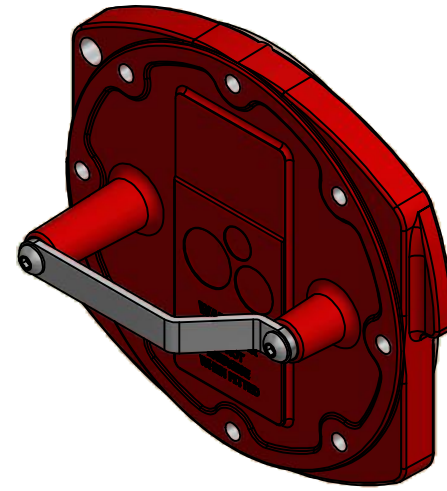
PART NO.
MATERIAL
ALUMINIUM, SILICONE, COPPER, STAINLESS

REV
1

REVISION HISTORY

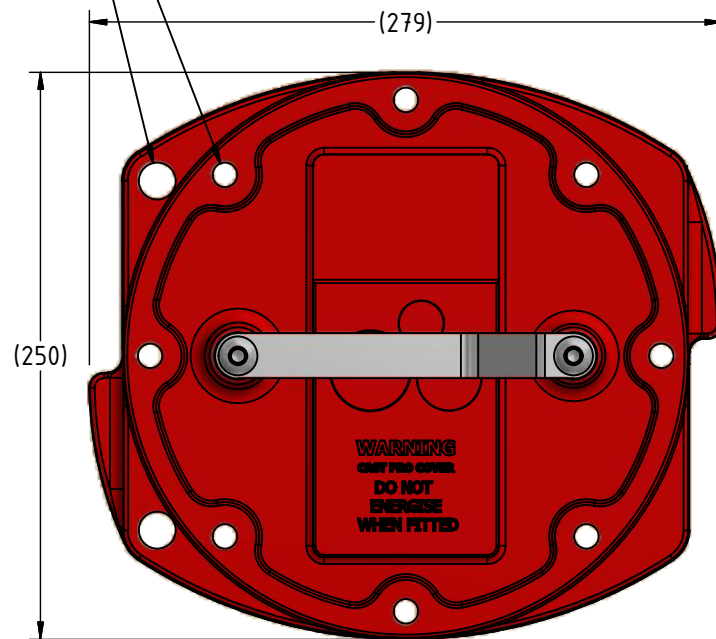
DESCRIPTION	DATE
INITIAL RELEASE	18/09/2023

CAST PROTECTION COVER

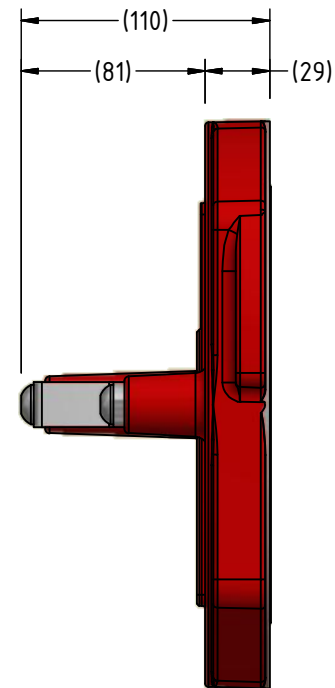


ISOMETRIC VIEW

Ø11.00mm THRU
8 PLACES
Ø16.50mm THRU
2 PLACES

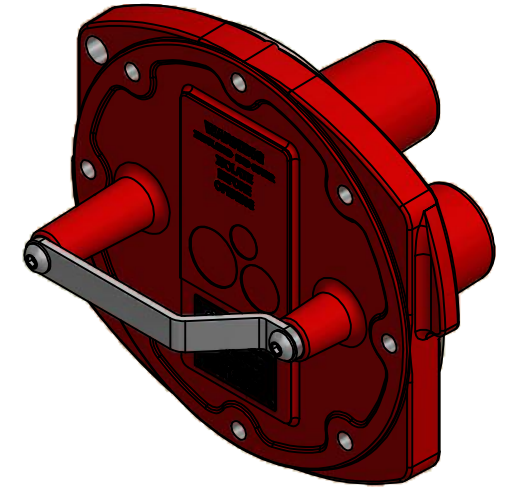


FRONT VIEW



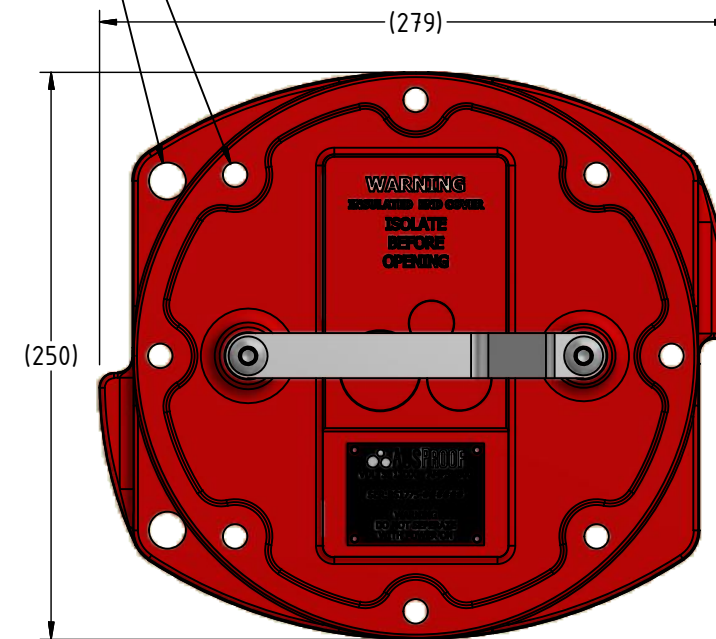
SIDE VIEW

INSULATED END COVER

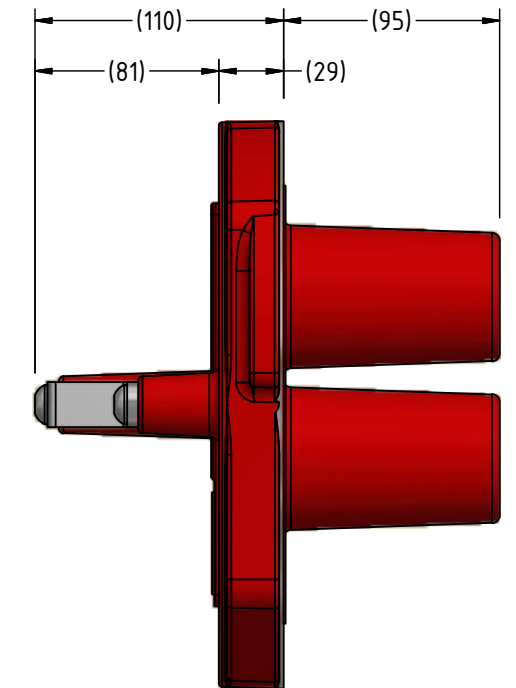


ISOMETRIC VIEW

Ø11.00mm THRU
8 PLACES
Ø16.50mm THRU
2 PLACES



FRONT VIEW



SIDE VIEW



DRAWN BY
L.BELL
APPROVED BY
D.MINENKO

PART NAME
118BKA - PRODUCT DIMENSIONS

DRAWN DATE
18/09/2023

SURFACE FINISH
MACHINED, PAINTED

SIZE
A3
UNLESS OTHERWISE SPECIFIED
DIMENSIONS (Metric-millimetre-mm)
ALL SURFACE FINISHES TO



SHEET
3 OF 6
ENG DWG

DRAWING NOT TO SCALE
Request Dimensions If In Doubt

PART NO.

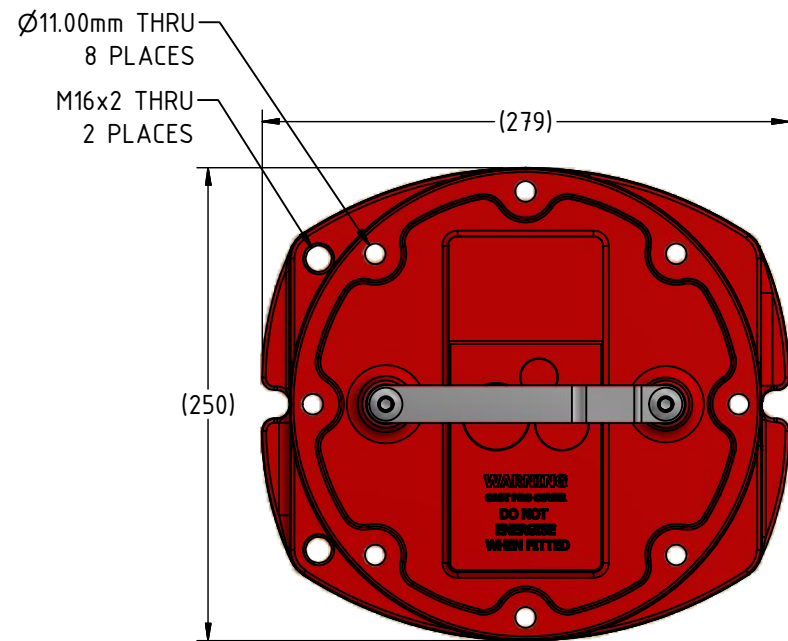
MATERIAL
ALUMINIUM, STAINLESS, SILICONE

REV
1

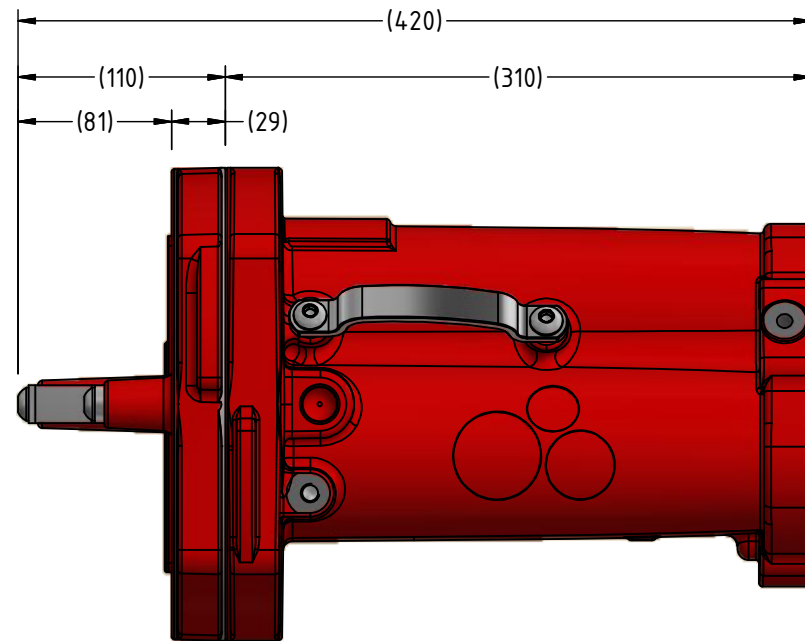
REVISION HISTORY

DESCRIPTION	DATE
INITIAL RELEASE	18/09/2023

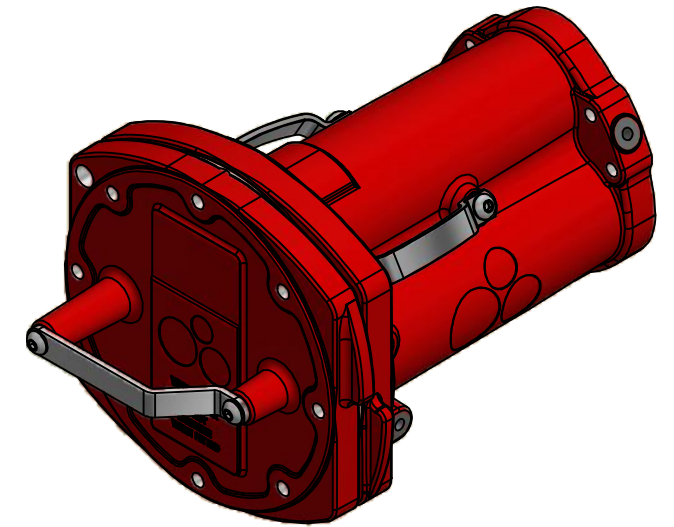
CAST PROTECTION COVER



FRONT VIEW

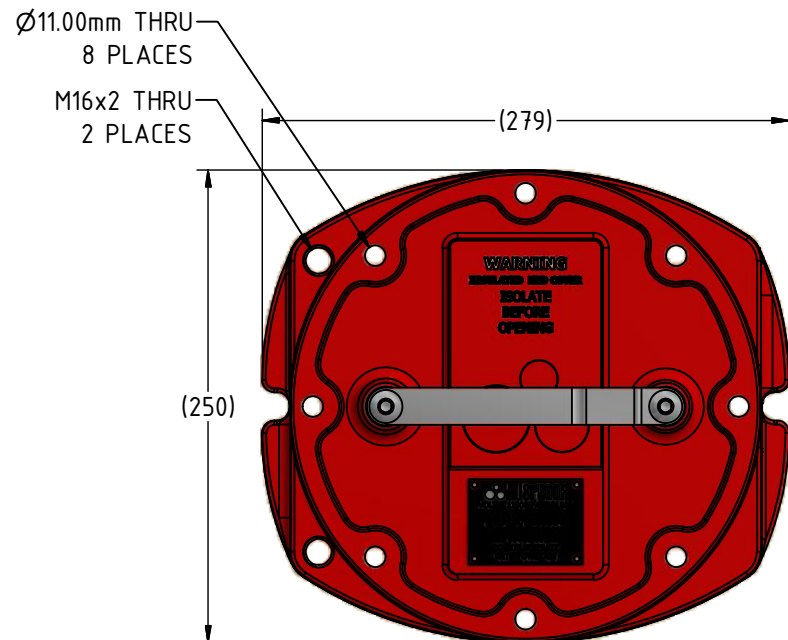


SIDE VIEW

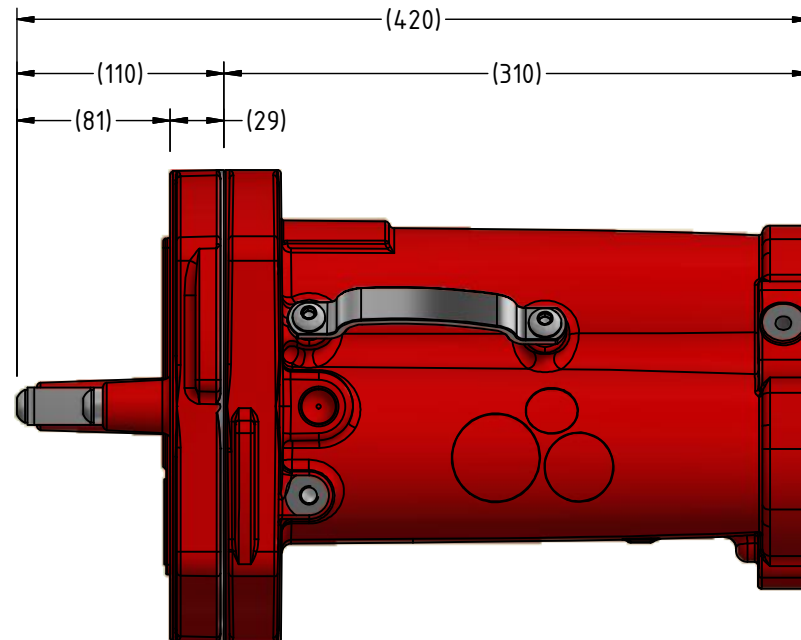


ISOMETRIC VIEW

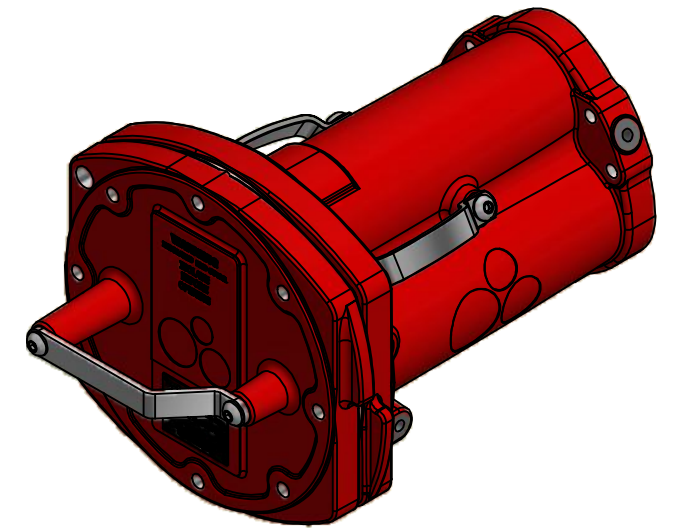
INSULATED END COVER



FRONT VIEW



SIDE VIEW



ISOMETRIC VIEW



DRAWN BY
L.BELL

PART NAME
118BKA - PRODUCT DIMENSIONS

APPROVED BY
D.MINENKO

DRAWN DATE
18/09/2023

SURFACE FINISH

MACHINED, PAINTED

SIZE
A3

UNLESS OTHERWISE SPECIFIED
DIMENSIONS (Metric-millimetre-mm)
ALL SURFACE FINISHES TO



THIRD ANGLE
PROJECTION
SHEET
4 OF 6
ENG DWG

DRAWING NOT TO SCALE
Request Dimensions If In Doubt

PART NO.

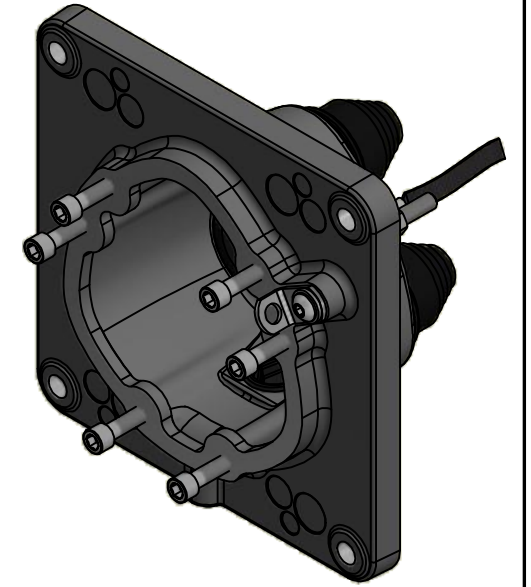
MATERIAL
ALUMINIUM, STAINLESS, SILICONE

REV
1

REVISION HISTORY

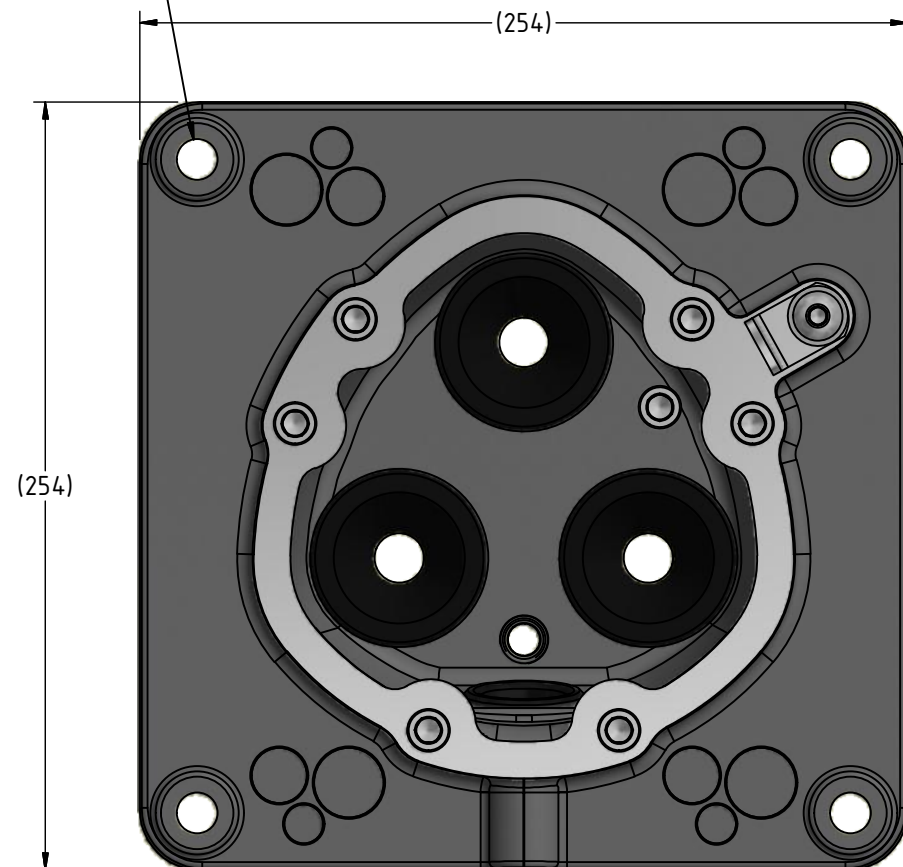
DESCRIPTION	DATE
INITIAL RELEASE	18/09/2023

ADAPTOR FLANGE

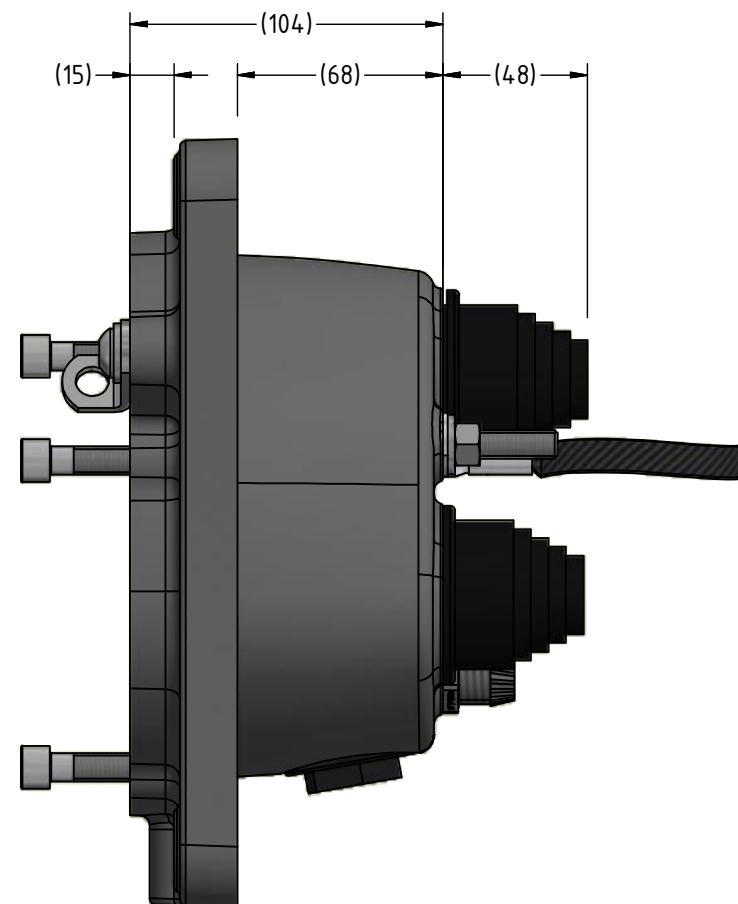


ISOMETRIC VIEW

Ø13.50mm THRU
4 PLACES



FRONT VIEW



SIDE VIEW



DRAWN BY
L.BELL

PART NAME
118BKA - PRODUCT DIMENSIONS

APPROVED BY
D.MINENKO

DRAWN DATE
18/09/2023

SURFACE FINISH

MACHINED

SIZE
A3

UNLESS OTHERWISE SPECIFIED
DIMENSIONS (Metric-millimetre-mm)
ALL SURFACE FINISHES TO ✓



SHEET
5 OF 6

DRAWING NOT TO SCALE
Request Dimensions If In Doubt

ENG DWG

PART NO.

MATERIAL
STAINLESS, SILICONE

REV

1

REVISION HISTORY

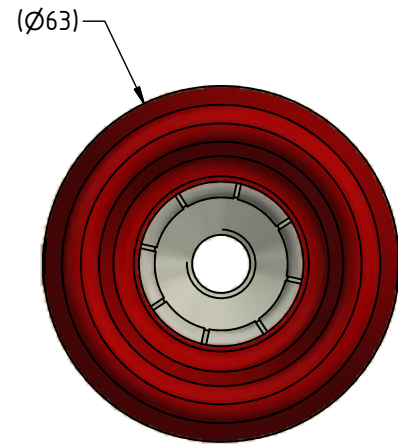
DESCRIPTION

INITIAL RELEASE

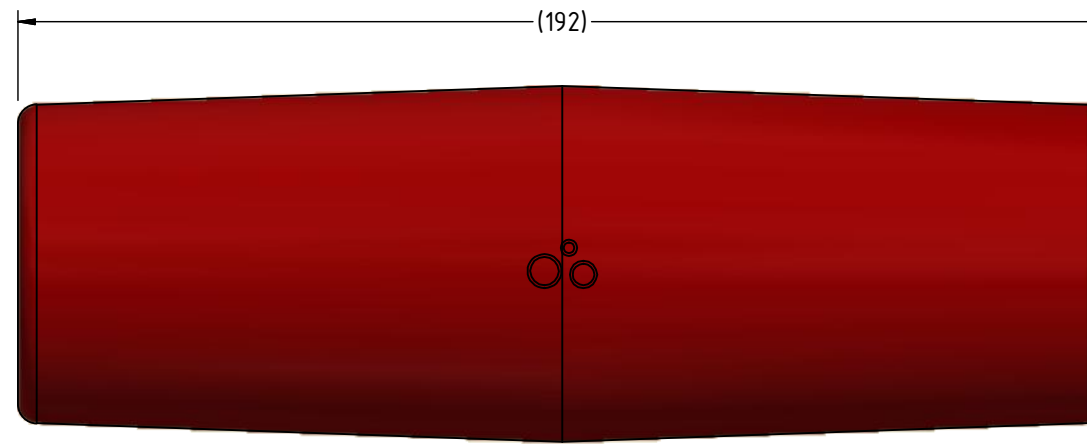
DATE

18/09/2023

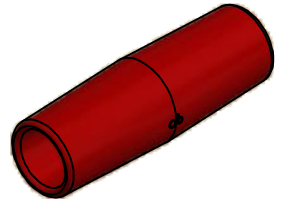
PHASE CONNECTOR



FRONT VIEW

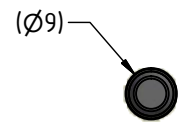


SIDE VIEW

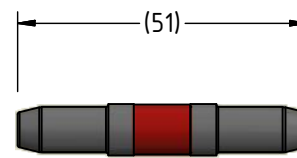


ISOMETRIC VIEW

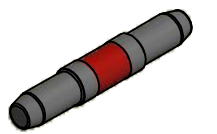
EARTH PILOT CONNECTOR



FRONT VIEW



SIDE VIEW



ISOMETRIC VIEW



DRAWN BY
L.BELL

PART NAME
118BKA - PRODUCT DIMENSIONS

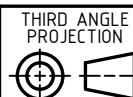
APPROVED BY
D.MINENKO

DRAWN DATE
18/09/2023

SURFACE FINISH
MACHINED, MOULDED

SIZE
A3

UNLESS OTHERWISE SPECIFIED
DIMENSIONS (Metric-millimetre-mm)
ALL SURFACE FINISHES TO ✓



SHEET
6 OF 6
ENG DWG

DRAWING NOT TO SCALE
Request Dimensions If In Doubt

PART NO.

MATERIAL
SILICONE, COPPER, ALUMINIUM, STAINLESS

REV

1

REVISION HISTORY

DESCRIPTION	DATE
INITIAL RELEASE	18/09/2023

DATE
18/09/2023