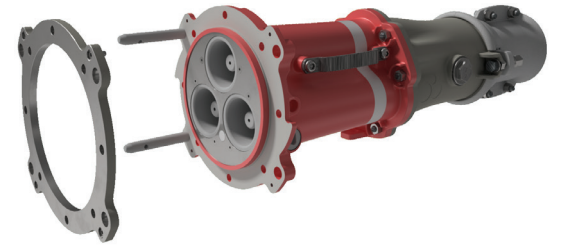
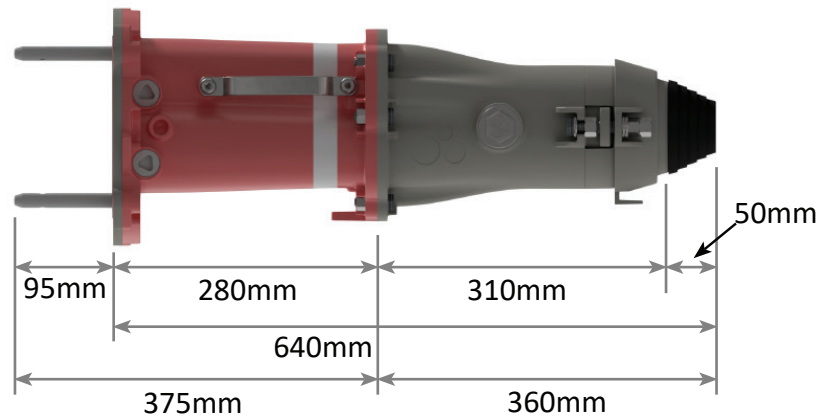


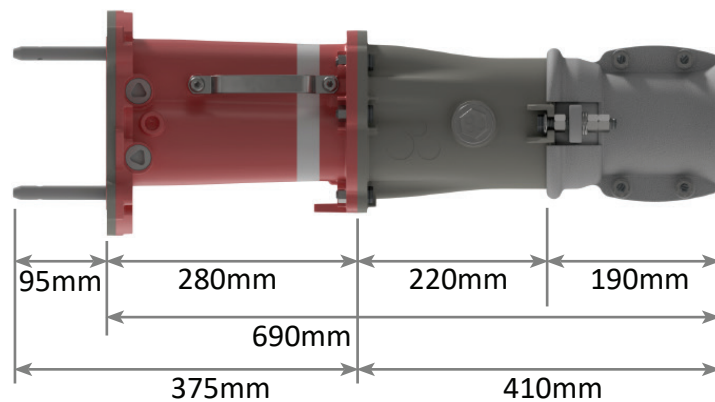
Ex118BSSRF Range High Voltage Removable Flange Flame Proof Couplers



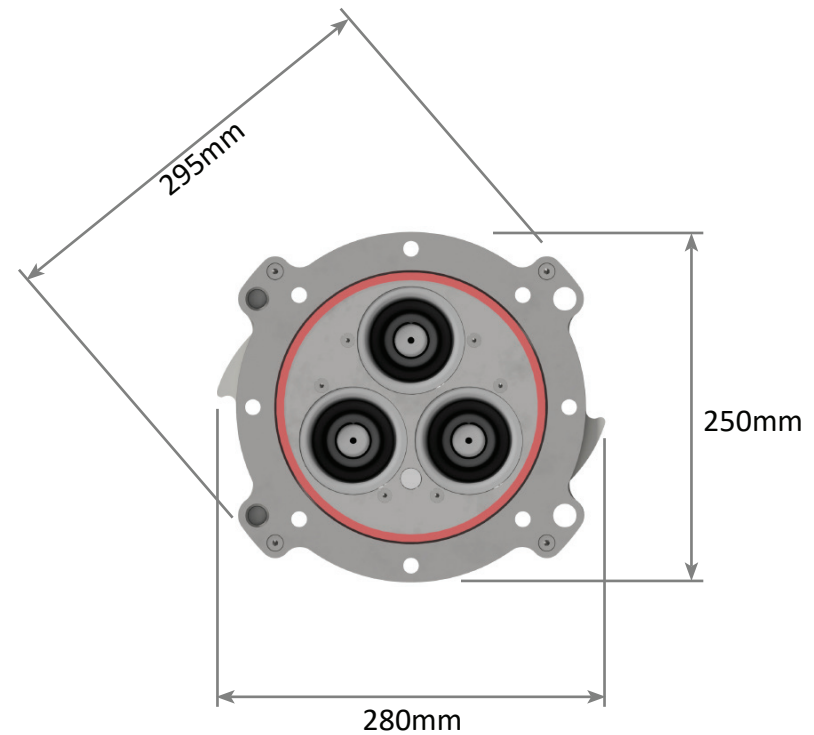
Side View (ARM)



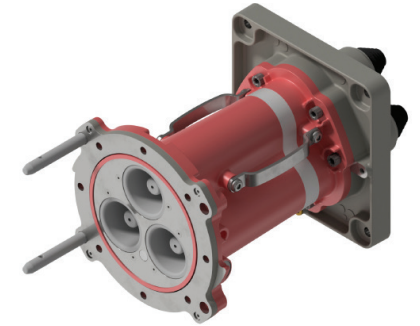
Side View (UN-ARM)



Front View



Ex118BSSRF Range
High Voltage Removable Flange
Flame Proof Couplers



Side and Front View

