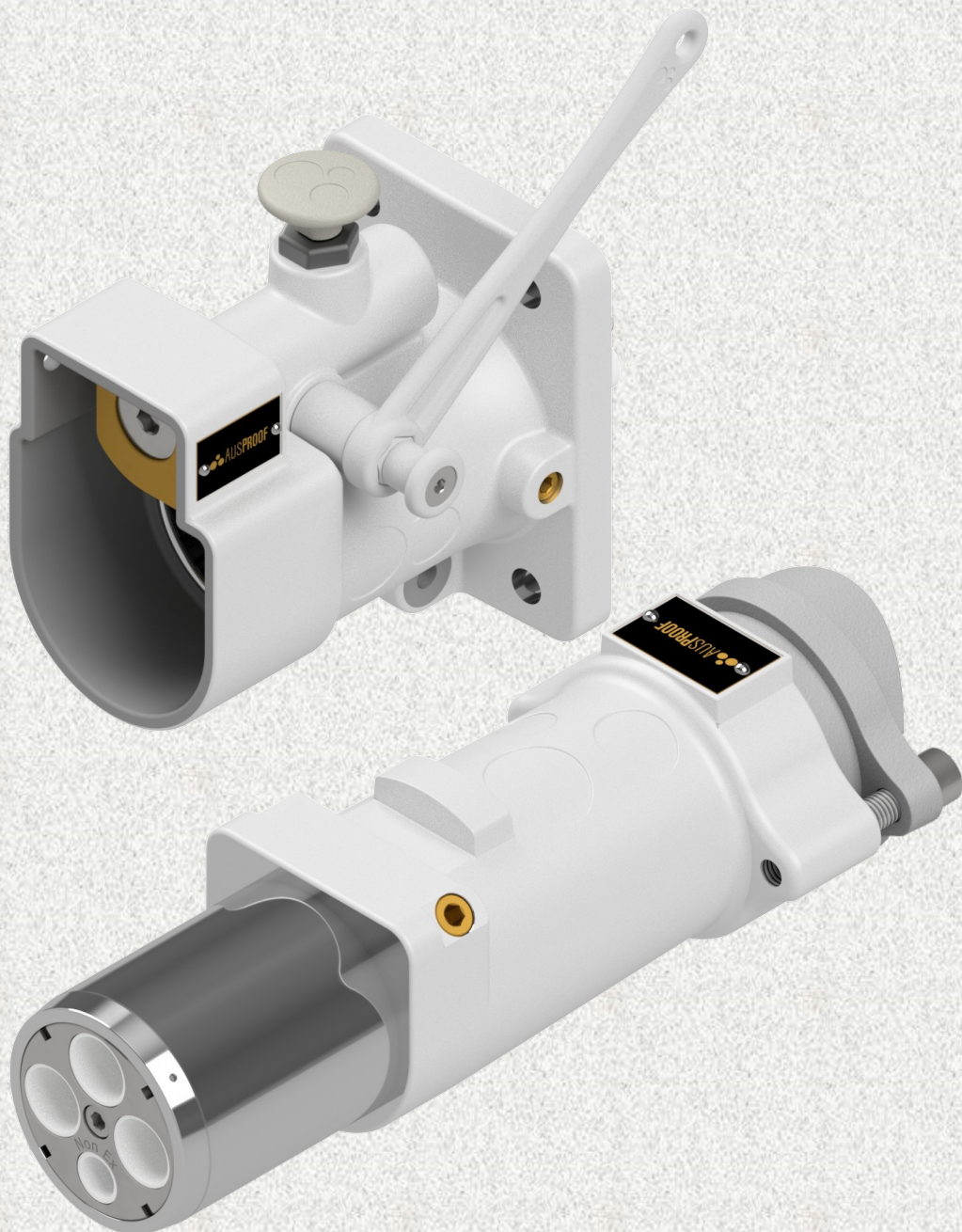




**Restrained Plugs And Receptacles**

**AL Range  
Non-Ex 300A/425A**



## Index

### Description

#### Non-Ex AL 660V Series

- 660V 300A 4 Pin Plug
- 660V 300A 4 Pin Receptacle
- 660V 300A 4 Pin Receptacle Gland Bracket (RGB)
- 660V 300A 4 Pin Back to Back (B2B)
- 660V 425A 4 Pin Plug
- 660V 425A 4 Pin Receptacle
- 660V 425A 4 Pin Receptacle Gland Bracket (RGB)
- 660V 425A 4 Pin Back to Back (B2B)

#### Non-Ex AL 1100V Series

- 1100V 300A 4 Pin Plug
- 1100V 300A 4 Pin Receptacle
- 1100V 300A 4 Pin Receptacle Gland Bracket (RGB)
- 1100V 300A 4 Pin Back to Back (B2B)
- 1100V 425A 4 Pin Plug
- 1100V 425A 4 Pin Receptacle
- 1100V 425A 4 Pin Receptacle Gland Bracket (RGB)
- 1100V 425A 4 Pin Back to Back (B2B)
- 1100V 300A 6 Pin Plug
- 1100V 300A 6 Pin Receptacle
- 1100V 300A 6 Pin Receptacle Gland Bracket (RGB)
- 1100V 300A 6 Pin Back to Back (B2B)
- 1100V 425A 6 Pin Plug
- 1100V 425A 6 Pin Receptacle
- 1100V 425A 6 Pin Receptacle Gland Bracket (RGB)
- 1100V 425A 6 Pin Back to Back (B2B)

## Index

### Description

#### Non-Ex AL 1100V Series

	3300V 300A 4 Pin Plug
	3300V 300A 4 Pin Receptacle
	3300V 300A 4 Pin Receptacle Gland Bracket (RGB)
	3300V 300A 4 Pin Back to Back (B2B)
	3300V 425A 4 Pin Plug
	3300V 425A 4 Pin Receptacle
	3300V 425A 4 Pin Receptacle Gland Bracket (RGB)
	3300V 425A 4 Pin Back to Back (B2B)
	3300V 300A 6 Pin Plug
	3300V 300A 6 Pin Receptacle
	3300V 300A 6 Pin Receptacle Gland Bracket (RGB)
	3300V 300A 6 Pin Back to Back (B2B)
	3300V 425A 6 Pin Plug
	3300V 425A 6 Pin Receptacle
	3300V 425A 6 Pin Receptacle Gland Bracket (RGB)
	3300V 425A 6 Pin Back to Back (B2B)

#### Termination Procedures

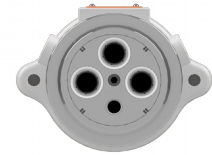
660V/1100V 300/425A 4 Pin Plug  
660V/1100V 300/425A 4 Pin Receptacle  
1100V/3300V 300/425A 6 Pin Plug  
1100V/3300V 300/425A 6 Pin Receptacle  
3300V 300/425A 4 Pin Plug  
3300V 300/425A 4 Pin Receptacle  
AL Receptacle Gland Bracket Terminations Stage 1-3  
AL Receptacle Gland Bracket Terminations Stage 4-5

AL Range Lock Out Device Locations  
AL Range Product Accessories

AL Range Handling  
AL Range Glossary

Fastener Guide

## Non-Ex 660V 300A 4 Pin AL Plug 3 Phase 1 Pilot



Pilot Orientation

Pre-Built to Suit Cable Type



Complete Plug to Suit Cable Type				
(mm <sup>2</sup> )	*Ref.	241.1	*Ref.	275.1
16	(F)	RS2775	(E)	RS2784
25	(F)	RS2776	(E)	RS2785
35	(G)	RS2777	(F)	RS2786
50	(H)	RS2778	(G)	RS2787
70	(I)	RS2779	-	-
95	(J)	RS2780	-	-
120	(K)	RS2781	-	-
150	(L)	RS2782	-	-
185	(M)	RS2783	-	-

\*Gland Reference Letter

### Part Breakdown For Customised Cables; One of Each Type Required



16 / 25 Style Tube Contact Sets		
(mm <sup>2</sup> )	ID (mm)	Stock No.
16	6.5	RS1933
25	7.5	RS1934
35	9.0	RS1935
50	10.5	RS1936
70	12.5	RS1937
95	14.0	RS1938
120	16.0	RS1939
150	17.7	RS1940
185	19.5	RS1941

2 AL 4P Front Cage  
Stock No: RS2789



Compression Gland		
*Ref.	Gland ID	Stock No.
(A)	10-15	RS2212
(B)	15-20	RS2213
(C)	20-25	RS2214
(D)	25-30	RS2215
(E)	30-35	RS1618
(F)	35-40	RS1619
(G)	40-45	RS1620
(H)	45-50	RS1621
(I)	50-55	RS1622
(J)	55-60	RS1623
(K)	60-65	RS1624
(L)	65-70	RS1625
(M)	70-75	RS1626
(N)	75-80	RS1627

\*Gland Reference Letter

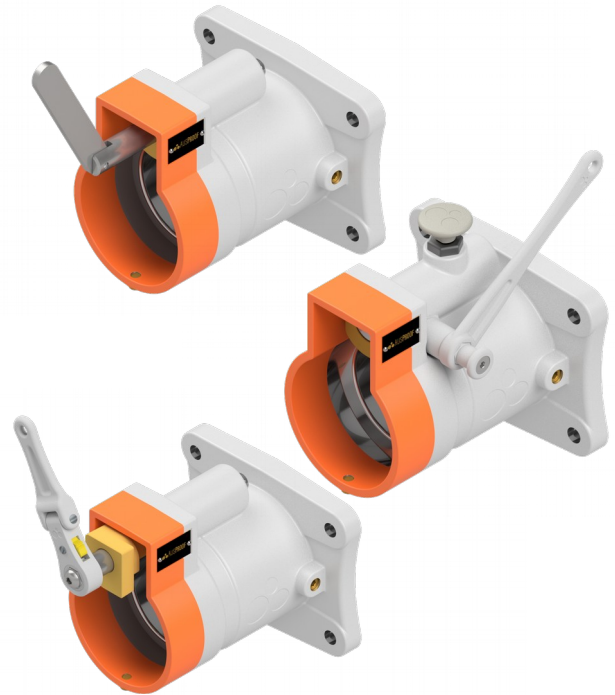


3 AL 660V 300A 4P Plug Body  
Stock No: RS2790

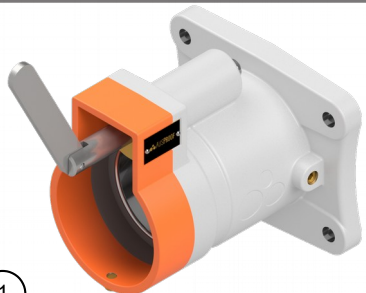
## Non-Ex 660V 300A AL Receptacle 3 Phase 1 Pilot




Receptacle Type to Suit mm <sup>2</sup> Cable Tails			
(mm <sup>2</sup> )	(Jack In)	(Quick Release)	(Ratchet Release)
16	RS2791	RS2791QR	RS2791RR
25	RS2792	RS2792QR	RS2792RR
35	RS2793	RS2793QR	RS2793RR
50	RS2794	RS2794QR	RS2794RR
70	RS2795	RS2795QR	RS2795RR
95	RS2796	RS2796QR	RS2796RR
120	RS2797	RS2797QR	RS2797RR
150	RS2798	RS2798QR	RS2798RR
185	RS2799	RS2799QR	RS2799RR



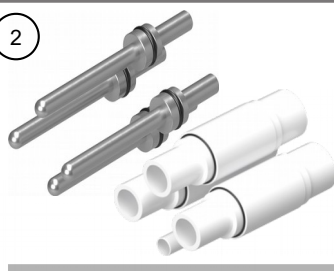
### Part Breakdown For Customised Cables; One of Each Type Required



1 AL 660V 300A 4P Receptacle Body Kit (Jack-In)  
Stock No : RS2800




1 AL 660V 300A 4P Receptacle Body Kit (Quick Release)  
Stock No : RS2800QR

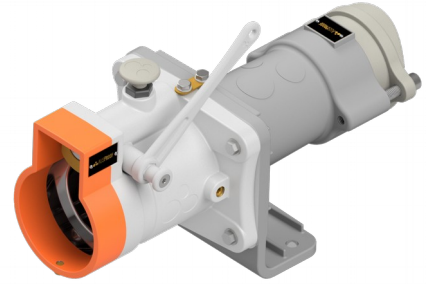


2

16 / 78 Style Pins Contact Sets		
(mm <sup>2</sup> )	ID (mm)	Stock No.
16	6.5	RS1998
25	7.5	RS1999
35	9.0	RS2081
50	10.5	RS2082
70	12.5	RS2083
95	14.0	RS2084
120	16.0	RS2085
150	17.7	RS2086
185	19.5	RS2087



3 AL 4P Receptacle Cage  
Stock No: RS2801



Pre-Built to Suit Cable Type

Complete Receptacle Gland Bracket to Suit Cable Type								
(mm <sup>2</sup> )	*Ref	241.1			*Ref.	275.1		
		Jack In	Quick Release	Ratchet Release		Jack In	Quick release	Ratchet Release
16	(F)	RS2802	RS2802QR	RS2802RR	(E)	RS2811	RS2811QR	RS2811RR
25	(F)	RS2803	RS2803QR	RS2803RR	(E)	RS2812	RS2812QR	RS2812RR
35	(G)	RS2804	RS2804QR	RS2804RR	(F)	RS2813	RS2813QR	RS2813RR
50	(H)	RS2805	RS2805QR	RS2805RR	(G)	RS2814	RS2814QR	RS2814RR
70	(I)	RS2806	RS2806QR	RS2806RR	-	-	-	-
95	(J)	RS2807	RS2807QR	RS2807RR	-	-	-	-
120	(K)	RS2808	RS2808QR	RS2808RR	-	-	-	-
150	(L)	RS2809	RS2809QR	RS2809RR	-	-	-	-
185	(M)	RS2810	RS2810QR	RS2810RR	-	-	-	-

\*Gland Reference Letter

Part Breakdown For Customised Cables; One of Each Type Required

① AL 660V 300A Receptacle  
Stock No: Refer to Page 5

② AL Gland Bracket Body Kit  
Stock No: RS2510

③

Compression Gland		
*Ref.	Gland ID	Stock No.
(A)	10-15	RS2212
(B)	15-20	RS2213
(C)	20-25	RS2214
(D)	25-30	RS2215
(E)	30-35	RS1618
(F)	35-40	RS1619
(G)	40-45	RS1620
(H)	45-50	RS1621
(I)	50-55	RS1622
(J)	55-60	RS1623
(K)	60-65	RS1624
(L)	65-70	RS1625
(M)	70-75	RS1626
(N)	75-80	RS1627

\*Gland Reference Letter

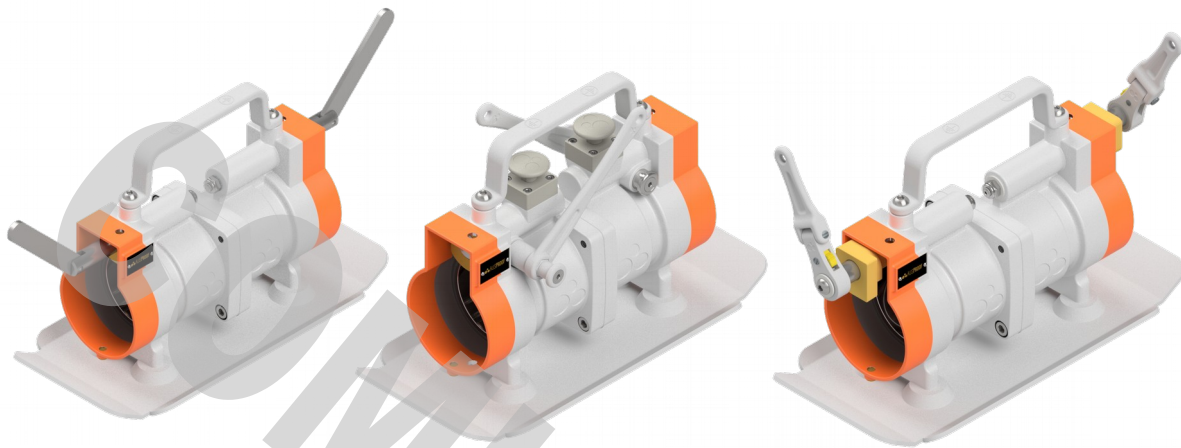


Pilot Orientation

## Non-Ex 660V 300A 4P AL Back To Back (B2B)

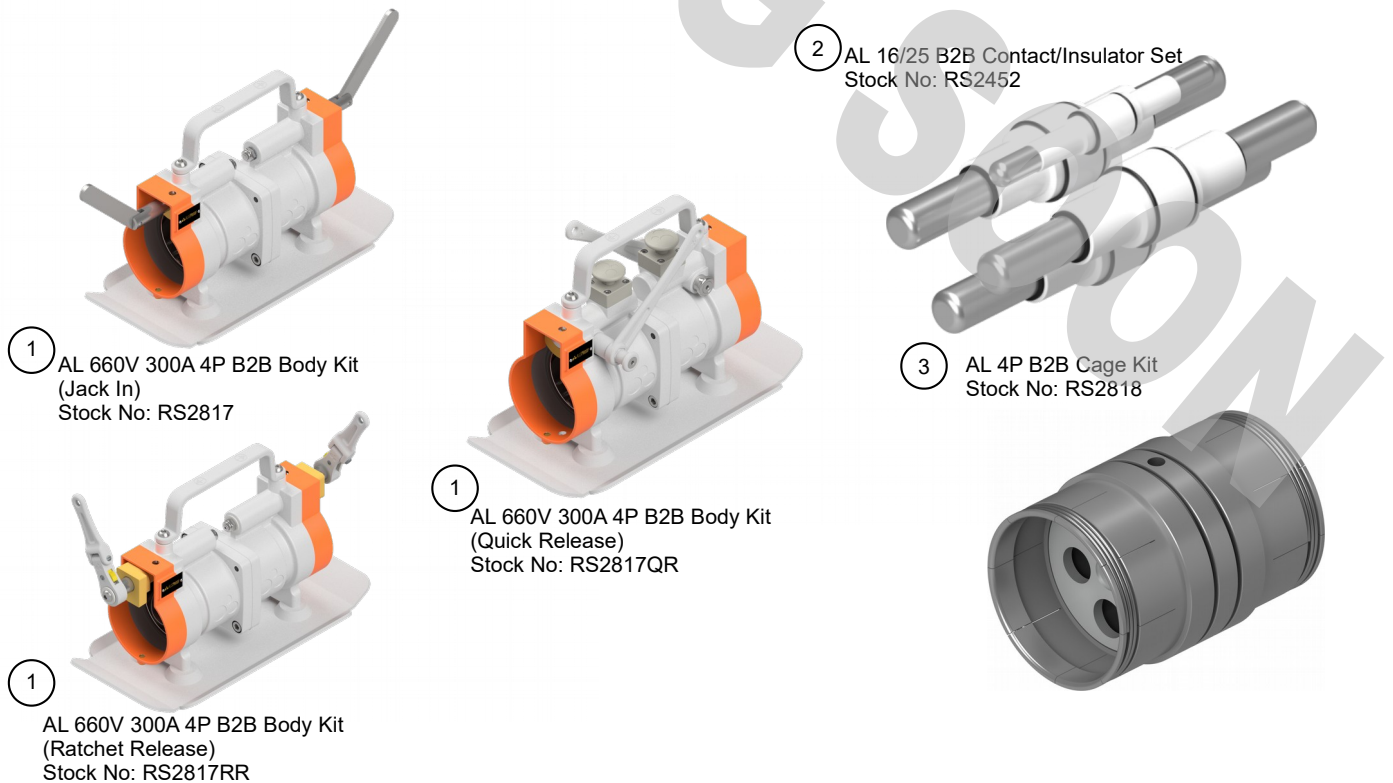
3 Phase 1 Pilot

**Flameproof Range Available NOW! 100% Compatible With New AL Range. See website for Tech Manual #473**



Complete Back to Back		
Jack In	Quick Release	Ratchet Release
Stock No: RS2816	RS2816QR	RS2816RR

### Part Breakdown For Customised Cables; One of Each Type Required



1 AL 660V 300A 4P B2B Body Kit (Jack In)  
Stock No: RS2817

1 AL 660V 300A 4P B2B Body Kit (Quick Release)  
Stock No: RS2817QR

1 AL 660V 300A 4P B2B Body Kit (Ratchet Release)  
Stock No: RS2817RR

2 AL 16/25 B2B Contact/Insulator Set  
Stock No: RS2452

3 AL 4P B2B Cage Kit  
Stock No: RS2818

## Non-Ex 660V 425A 4 Pin AL Plug 3 Phase 1 Pilot



Pilot Orientation

Pre-Built to Suit Cable Type



Complete Plug to Suit Cable Type				
(mm <sup>2</sup> )	*Ref.	241.1	*Ref.	275.1
16	(F)	RS2819	(E)	RS2828
25	(F)	RS2820	(E)	RS2829
35	(G)	RS2821	(F)	RS2830
50	(H)	RS2822	(G)	RS2831
70	(I)	RS2823	-	-
95	(J)	RS2824	-	-
120	(K)	RS2825	-	-
150	(L)	RS2826	-	-
185	(M)	RS2827	-	-

\*Gland Reference Letter

### Part Breakdown For Customised Cables; One of Each Type Required



19 / 25 Style Tube Contact Sets		
(mm <sup>2</sup> )	ID (mm)	Stock No.
16	6.5	RS1932
25	7.5	RS1931
35	9.0	RS1930
50	10.5	RS1929
70	12.5	RS1928
95	14.0	RS1927
120	16.0	RS1926
150	17.7	RS1925
185	19.5	RS1924

2 AL 4P Front Cage  
Stock No: RS2789



Compression Gland		
*Ref.	Gland ID	Stock No.
(A)	10-15	RS2212
(B)	15-20	RS2213
(C)	20-25	RS2214
(D)	25-30	RS2215
(E)	30-35	RS1618
(F)	35-40	RS1619
(G)	40-45	RS1620
(H)	45-50	RS1621
(I)	50-55	RS1622
(J)	55-60	RS1623
(K)	60-65	RS1624
(L)	65-70	RS1625
(M)	70-75	RS1626
(N)	75-80	RS1627

\*Gland Reference Letter



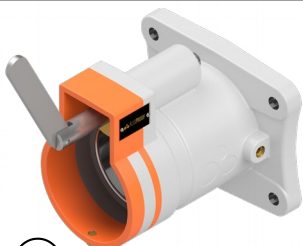
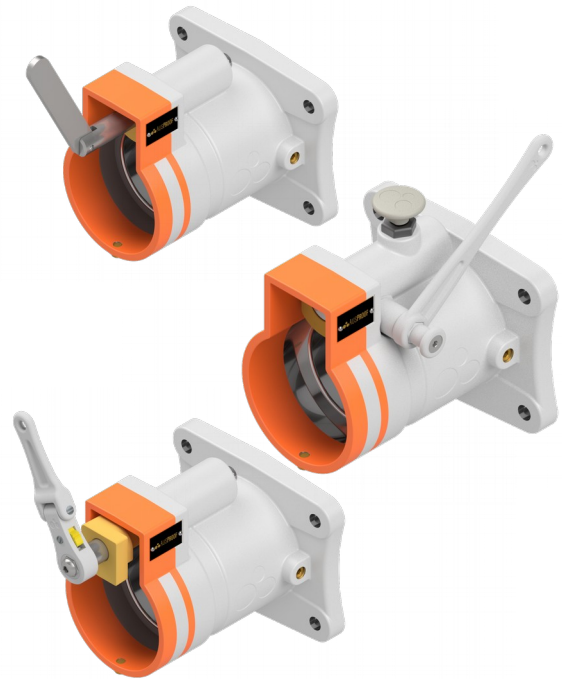
3 AL 660V 425A 4P Plug Body  
Stock No: RS2833





## Non-Ex 660V 425A 4 Pin AL Receptacle 3 Phase 1 Pilot

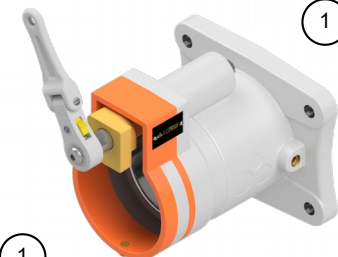
Receptacle Type to Suit mm <sup>2</sup> Cable Tails			
(mm <sup>2</sup> )	(Jack In)	(Quick Release)	(Ratchet Release)
16	RS2834	RS2834QR	RS2834RR
25	RS2835	RS2835QR	RS2835RR
35	RS2836	RS2836QR	RS2836RR
50	RS2837	RS2837QR	RS2837RR
70	RS2838	RS2838QR	RS2838RR
95	RS2839	RS2839QR	RS2839RR
120	RS2840	RS2840QR	RS2840RR
150	RS2841	RS2841QR	RS2841RR
185	RS2842	RS2842QR	RS2842RR



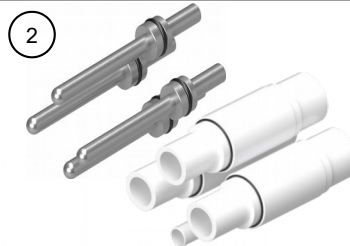
1 AL 660V 425A Receptacle Body  
Stock No: RS2843



1 AL 660V 425A Receptacle Body  
(Quick Release)  
Stock No: RS2843QR



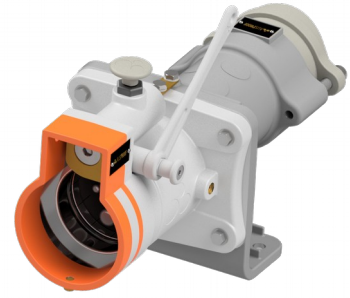
1 AL 660V 425A Receptacle Body  
(Ratchet Release)  
Stock No: RS2843RR



19 / 78 Style Pins Contact Sets.		
(mm <sup>2</sup> )	ID (mm)	Stock No.
16	6.5	RS1989
25	7.5	RS1990
35	9.0	RS1991
50	10.5	RS1992
70	12.5	RS1993
95	14.0	RS1994
120	16.0	RS1995
150	17.7	RS1996
185	19.5	RS1997

3 AL 4P Receptacle Cage  
Stock No: RS2801



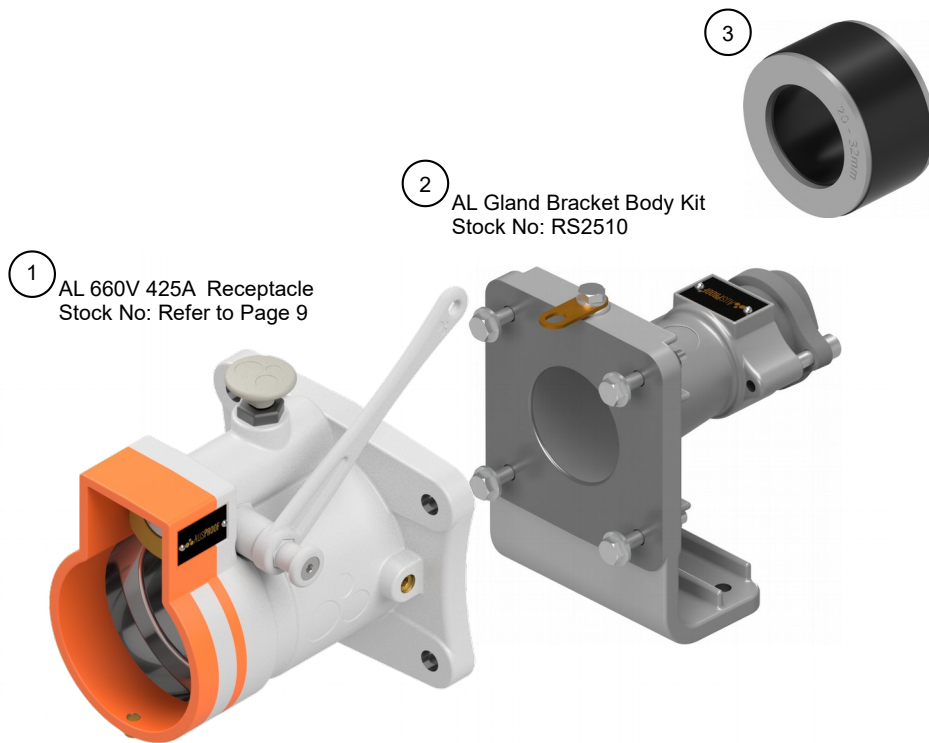


Pre-Built to Suit Cable Type

Complete Receptacle Gland Bracket to Suit Cable Type								
(mm <sup>2</sup> )	*Ref	241.1			*Ref.	275.1		
		Jack In	Quick Release	Ratchet Release		Jack In	Quick release	Ratchet Release
16	(F)	RS2846	RS2846QR	RS2846RR	(E)	RS2855	RS2855QR	RS2855RR
25	(F)	RS2847	RS2847QR	RS2847RR	(E)	RS2856	RS2856QR	RS2856RR
35	(G)	RS2848	RS2848QR	RS2848RR	(F)	RS2857	RS2857QR	RS2857RR
50	(H)	RS2849	RS2849QR	RS2849RR	(G)	RS2858	RS2858QR	RS2858RR
70	(I)	RS2850	RS2850QR	RS2850RR	-	-	-	-
95	(J)	RS2851	RS2851QR	RS2851RR	-	-	-	-
120	(K)	RS2852	RS2852QR	RS2852RR	-	-	-	-
150	(L)	RS2853	RS2853QR	RS2853RR	-	-	-	-
185	(M)	RS2854	RS2854QR	RS2854RR	-	-	-	-

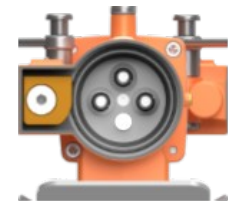
\*Gland Reference Letter

Part Breakdown For Customised Cables; One of Each Type Required



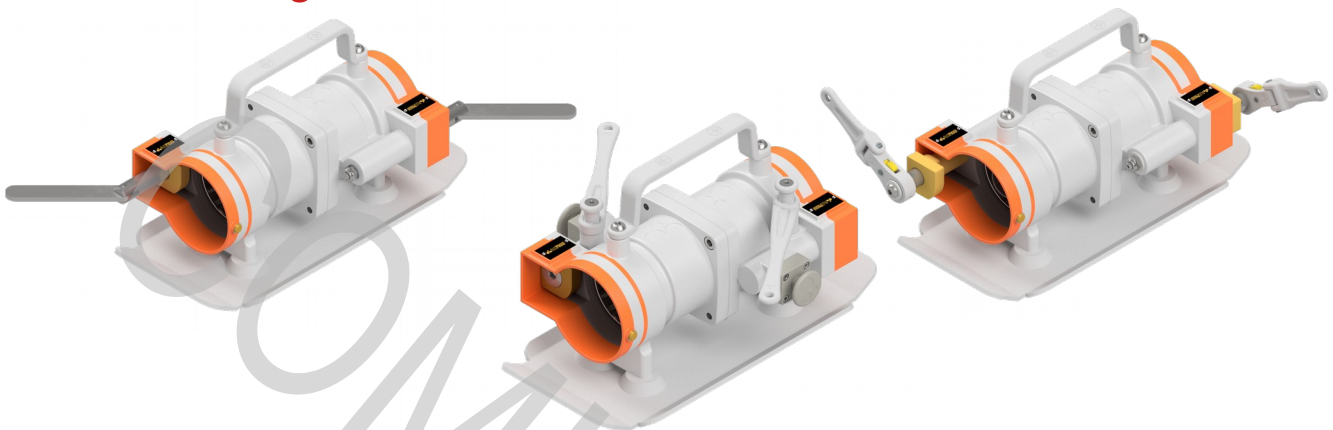
Compression Gland		
*Ref.	Gland ID	Stock No.
(A)	10-15	RS2212
(B)	15-20	RS2213
(C)	20-25	RS2214
(D)	25-30	RS2215
(E)	30-35	RS1618
(F)	35-40	RS1619
(G)	40-45	RS1620
(H)	45-50	RS1621
(I)	50-55	RS1622
(J)	55-60	RS1623
(K)	60-65	RS1624
(L)	65-70	RS1625
(M)	70-75	RS1626
(N)	75-80	RS1627

\*Gland Reference Letter



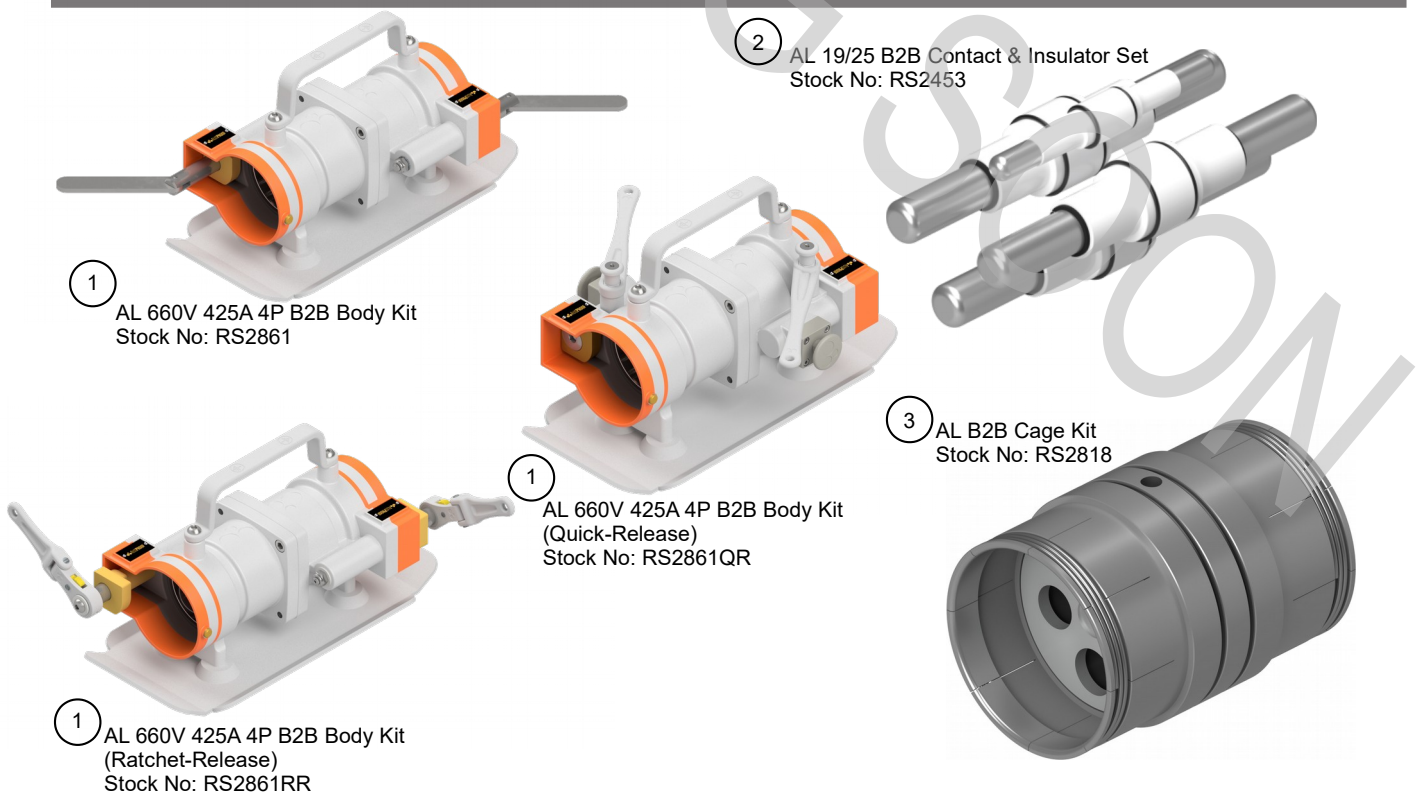
Pilot Orientation

**Flameproof Range Available NOW! 100% Compatible With New AL Range. See website for Tech Manual #473**



Complete Back to Back		
Jack In	Quick Release	Ratchet Release
Stock No: RS2860	RS2860QR	RS2860RR

**Part Breakdown For Customised Cables; One of Each Type Required**



## Non-Ex 1100V 300A 4 Pin AL Plug 3 Phase 1 Pilot



Pilot Orientation

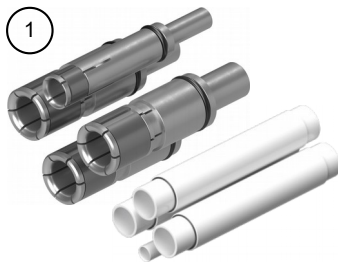
Pre-Built to Suit Cable Type



Complete Plug to Suit Cable Type				
(mm <sup>2</sup> )	*Ref.	241.1	*Ref.	275.1
16	(F)	RS2862	(E)	RS2871
25	(F)	RS2863	(E)	RS2872
35	(G)	RS2864	(F)	RS2873
50	(H)	RS2865	(G)	RS2874
70	(I)	RS2866	-	-
95	(J)	RS2867	-	-
120	(K)	RS2868	-	-
150	(L)	RS2869	-	-
185	(M)	RS2870	-	-

\*Gland Reference Letter

### Part Breakdown For Customised Cables; One of Each Type Required



16 / 25 Style Tube Contact Sets		
(mm <sup>2</sup> )	ID (mm)	Stock No.
16	6.5	RS1933
25	7.5	RS1934
35	9.0	RS1935
50	10.5	RS1936
70	12.5	RS1937
95	14.0	RS1938
120	16.0	RS1939
150	17.7	RS1940
185	19.5	RS1941

2 4P Front Cage  
Stock No: RS2789



Compression Gland		
*Ref.	Gland ID	Stock No.
(A)	10-15	RS2212
(B)	15-20	RS2213
(C)	20-25	RS2214
(D)	25-30	RS2215
(E)	30-35	RS1618
(F)	35-40	RS1619
(G)	40-45	RS1620
(H)	45-50	RS1621
(I)	50-55	RS1622
(J)	55-60	RS1623
(K)	60-65	RS1624
(L)	65-70	RS1625
(M)	70-75	RS1626
(N)	75-80	RS1627

\*Gland Reference Letter



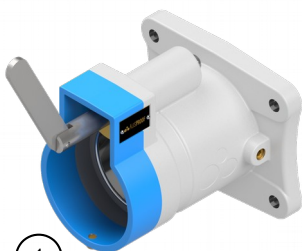
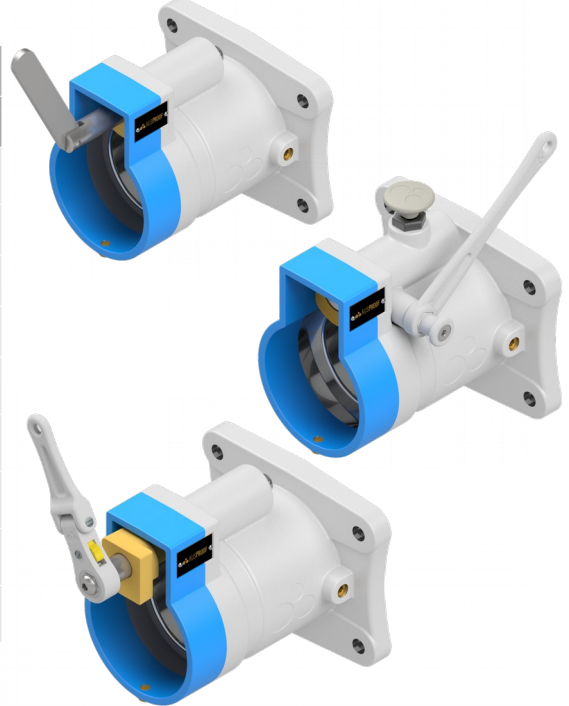
3 AL 100V 300A 4P Plug Body  
Stock No: RS2876



Pilot Orientation

## Non-Ex 1100V 300A 4 Pin AL Receptacle 3 Phase 1 Pilot

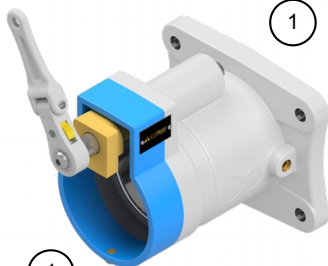
Receptacle Type to Suit mm <sup>2</sup> Cable Tails			
(mm <sup>2</sup> )	(Jack In)	(Quick Release)	(Ratchet Release)
16	RS2877	RS2877QR	RS2877RR
25	RS2878	RS2878QR	RS2878RR
35	RS2879	RS2879QR	RS2879RR
50	RS2880	RS2880QR	RS2880RR
70	RS2881	RS2881QR	RS2881RR
95	RS2882	RS2882QR	RS2882RR
120	RS2883	RS2883QR	RS2883RR
150	RS2884	RS2884QR	RS2884RR
185	RS2885	RS2885QR	RS2885RR



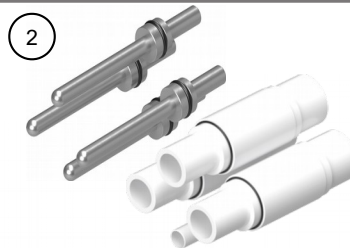
1 AL 1100V 300A 4P Receptacle Body  
Stock No: RS2886



1 AL 1100V 300A 4P Receptacle Body (Quick Release)  
Stock No: RS2886QR



1 AL 1100V 300A 4P Receptacle Body (Ratchet Release)  
Stock No: RS2886RR



2

16 / 78 Style Pins Contact Sets.		
(mm <sup>2</sup> )	ID (mm)	Stock No.
16	6.5	RS1998
25	7.5	RS1999
35	9.0	RS2081
50	10.5	RS2082
70	12.5	RS2083
95	14.0	RS2084
120	16.0	RS2085
150	17.7	RS2086
185	19.5	RS2087

3 AL 4P Receptacle Cage  
Stock No: RS2801



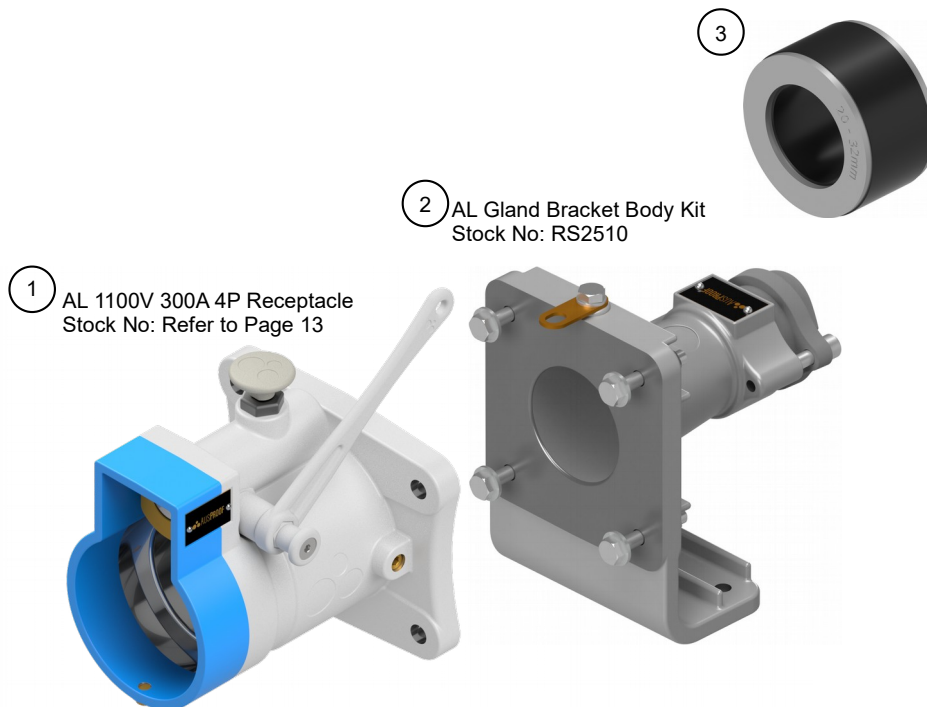


Pre-Built to Suit Cable Type

Complete Receptacle Gland Bracket to Suit Cable Type								
(mm <sup>2</sup> )	*Ref	241.1			*Ref.	275.1		
		Jack In	Quick Release	Ratchet Release		Jack In	Quick release	Ratchet Release
16	(F)	RS2887	RS2887QR	RS2887RR	(E)	RS2896	RS2896QR	RS2896RR
25	(F)	RS2888	RS2888QR	RS2888RR	(E)	RS2897	RS2897QR	RS2897RR
35	(G)	RS2889	RS2889QR	RS2889RR	(F)	RS2898	RS2898QR	RS2898RR
50	(H)	RS2890	RS2890QR	RS2890RR	(G)	RS2899	RS2899QR	RS2899RR
70	(I)	RS2891	RS2891QR	RS2891RR	-	-	-	-
95	(J)	RS2892	RS2892QR	RS2892RR	-	-	-	-
120	(K)	RS2893	RS2893QR	RS2893RR	-	-	-	-
150	(L)	RS2894	RS2894QR	RS2894RR	-	-	-	-
185	(M)	RS2895	RS2895QR	RS2895RR	-	-	-	-

\*Gland Reference Letter

Part Breakdown For Customised Cables; One of Each Type Required



1 AL 1100V 300A 4P Receptacle  
 Stock No: Refer to Page 13

2 AL Gland Bracket Body Kit  
 Stock No: RS2510

3

Compression Gland		
*Ref.	Gland ID	Stock No.
(A)	10-15	RS2212
(B)	15-20	RS2213
(C)	20-25	RS2214
(D)	25-30	RS2215
(E)	30-35	RS1618
(F)	35-40	RS1619
(G)	40-45	RS1620
(H)	45-50	RS1621
(I)	50-55	RS1622
(J)	55-60	RS1623
(K)	60-65	RS1624
(L)	65-70	RS1625
(M)	70-75	RS1626
(N)	75-80	RS1627

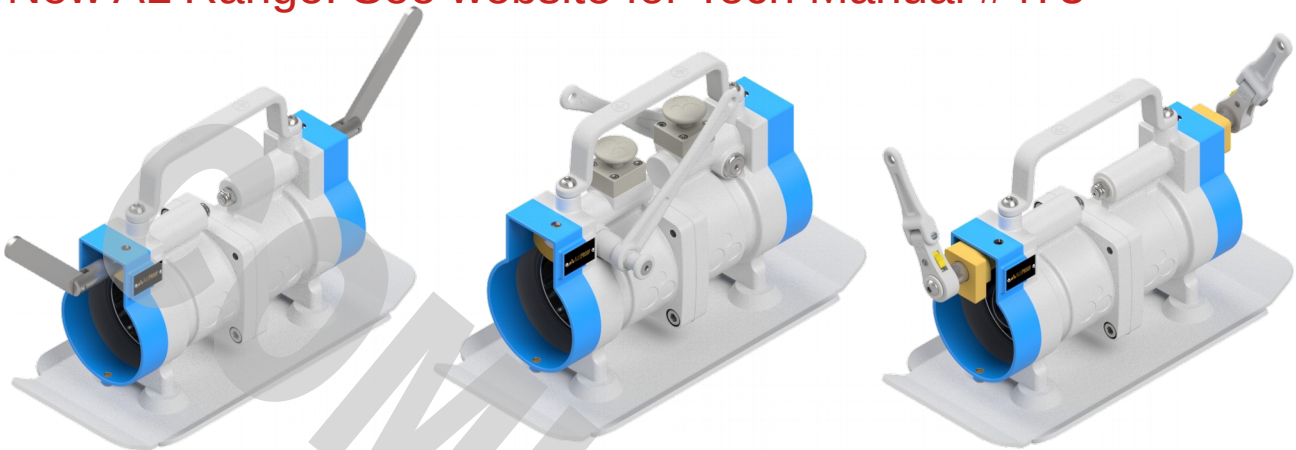
\*Gland Reference Letter

# Non-Ex 1100V 300A 4 Pin AL Back To Back (B2B)

3 Phase 1 Pilot

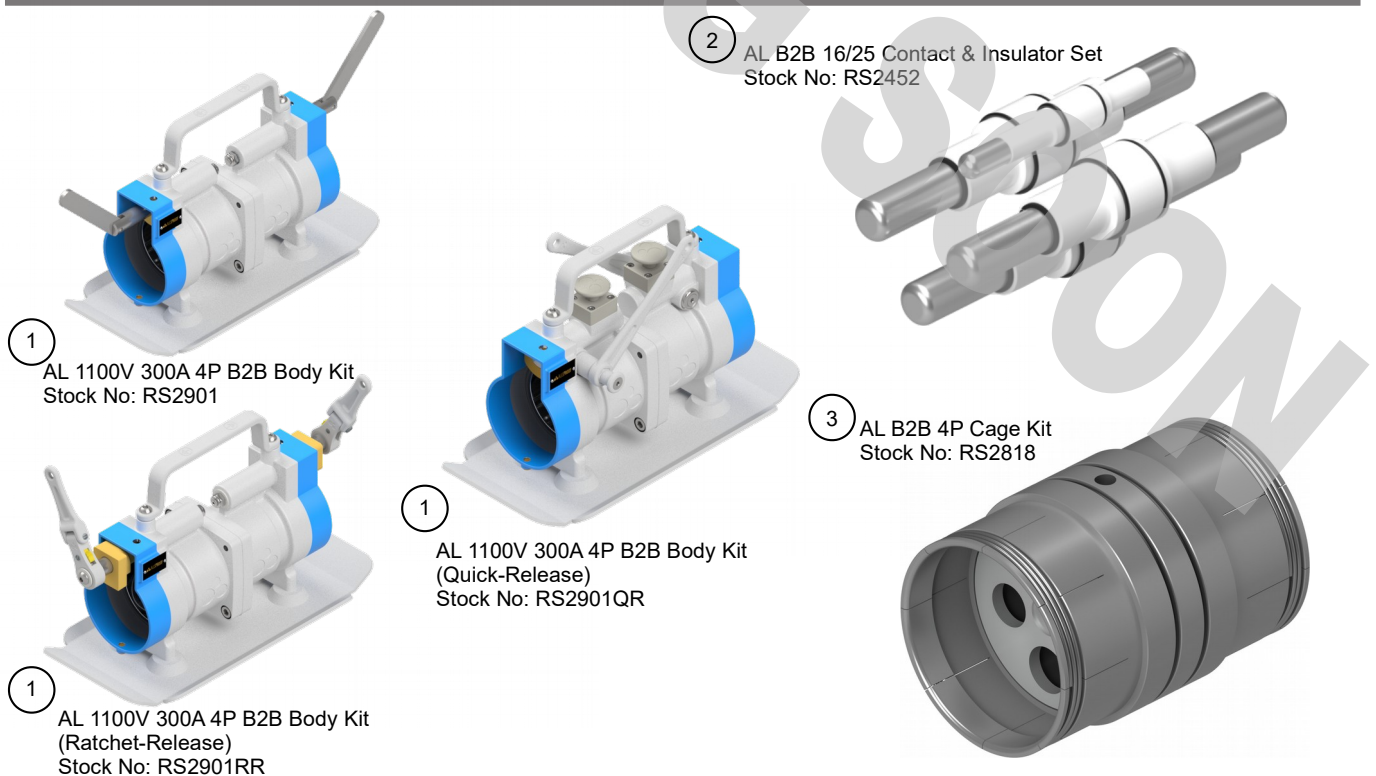
Pilot Orientation

**Flameproof Range Available NOW! 100% Compatible With New AL Range. See website for Tech Manual #473**



Complete Back to Back		
Jack In	Quick Release	Ratchet Release
Stock No: RS2900	RS2900QR	RS2900RR

## Part Breakdown For Customised Cables; One of Each Type Required



# Non-Ex 1100V 425A 4 Pin AL Plug

3 Phase 1 Pilot



Pilot Orientation

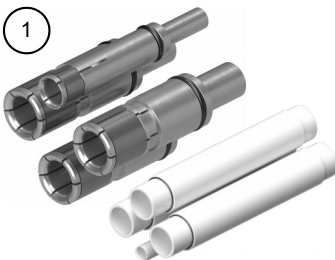
Pre-Built to Suit Cable Type



Complete Plug to Suit Cable Type				
(mm <sup>2</sup> )	*Ref.	241.1	*Ref.	275.1
16	(F)	RS2902	(E)	RS2911
25	(F)	RS2903	(E)	RS2912
35	(G)	RS2904	(F)	RS2913
50	(H)	RS2905	(G)	RS2914
70	(I)	RS2906	-	-
95	(J)	RS2907	-	-
120	(K)	RS2908	-	-
150	(L)	RS2909	-	-
185	(M)	RS2910	-	-

\*Gland Reference Letter

Part Breakdown For Customised Cables; One of Each Type Required



19 / 25 Style Tube Contact Sets		
(mm <sup>2</sup> )	ID (mm)	Stock No.
16	6.5	RS1932
25	7.5	RS1931
35	9.0	RS1930
50	10.5	RS1929
70	12.5	RS1928
95	14.0	RS1927
120	16.0	RS1926
150	17.7	RS1925
185	19.5	RS1924

2 AL 4P Front Cage  
Stock No: RS2789



Compression Gland		
*Ref.	Gland ID	Stock No.
(A)	10-15	RS2212
(B)	15-20	RS2213
(C)	20-25	RS2214
(D)	25-30	RS2215
(E)	30-35	RS1618
(F)	35-40	RS1619
(G)	40-45	RS1620
(H)	45-50	RS1621
(I)	50-55	RS1622
(J)	55-60	RS1623
(K)	60-65	RS1624
(L)	65-70	RS1625
(M)	70-75	RS1626
(N)	75-80	RS1627

\*Gland Reference Letter



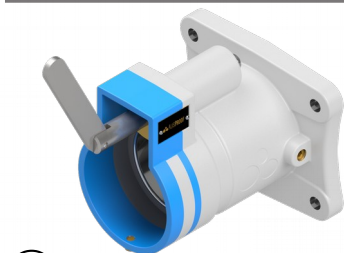
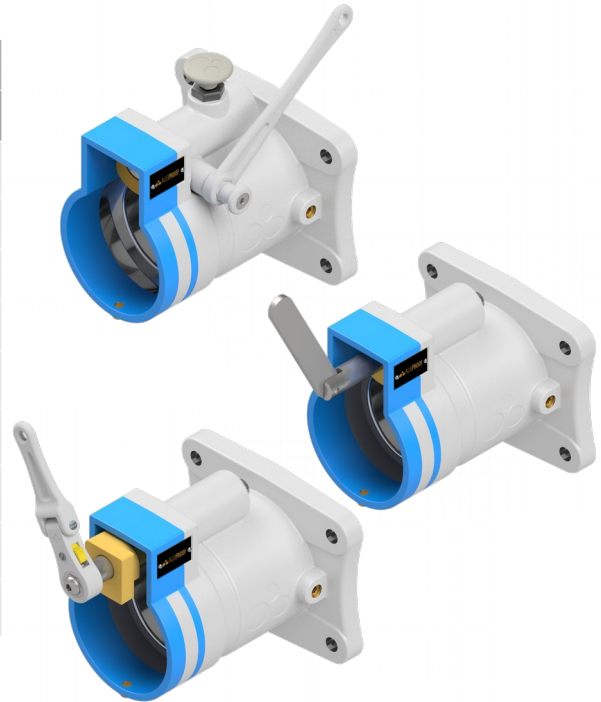
3 AL 1100V 425A 4P Plug Body  
Stock No: RS2916





## Non-Ex 1100V 425A 4 Pin AL Receptacle 3 Phase 1 Pilot

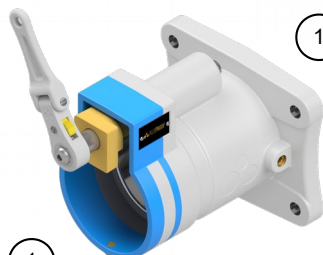
Receptacle Type to Suit mm <sup>2</sup> Cable Tails			
(mm <sup>2</sup> )	(Jack In)	(Quick Release)	(Ratchet Release)
16	RS2917	RS2917QR	RS2917RR
25	RS2918	RS2918QR	RS2918RR
35	RS2919	RS2919QR	RS2919RR
50	RS2920	RS2920QR	RS2920RR
70	RS2921	RS2921QR	RS2921RR
95	RS2922	RS2922QR	RS2922RR
120	RS2923	RS2923QR	RS2923RR
150	RS2924	RS2924QR	RS2924RR
185	RS2925	RS2925QR	RS2925RR



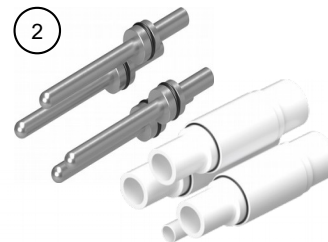
1 AL 1100V 425A Receptacle Body  
Stock No: RS2926



1 AL 1100V 425A Receptacle Body  
(Quick Release)  
Stock No: RS2926QR



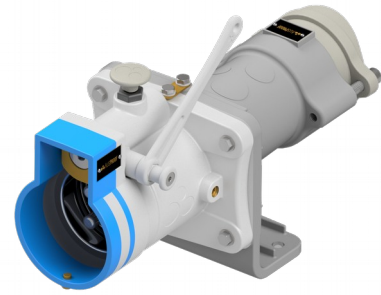
1 AL 1100V 425A Receptacle Body  
(Ratchet Release)  
Stock No: RS2926RR



19 / 78 Style Pins Contact Sets.		
(mm <sup>2</sup> )	ID (mm)	Stock No.
16	6.5	RS1989
25	7.5	RS1990
35	9.0	RS1991
50	10.5	RS1992
70	12.5	RS1993
95	14.0	RS1994
120	16.0	RS1995
150	17.7	RS1996
185	19.5	RS1997

3 AL 4P Receptacle Cage  
Stock No: RS2801





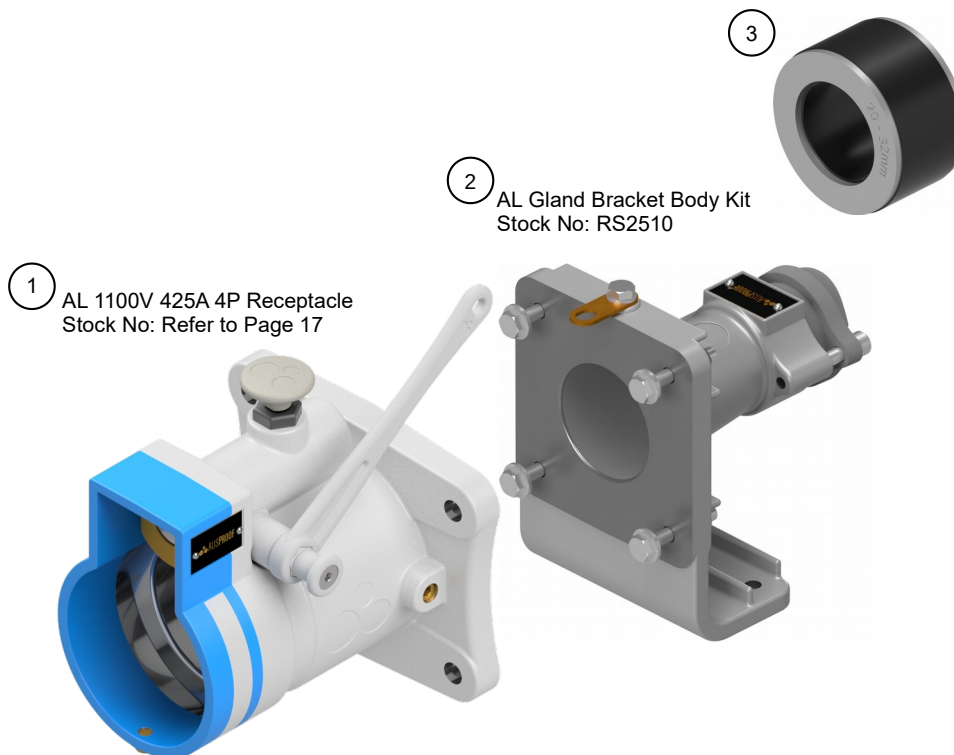
Pre-Built to Suit Cable Type

Complete Receptacle Gland Bracket to Suit Cable Type

(mm <sup>2</sup> )	*Ref	241.1			*Ref.	275.1		
		Jack In	Quick Release	Ratchet Release		Jack In	Quick release	Ratchet Release
16	(F)	RS2927	RS2927QR	RS2927RR	(E)	RS2936	RS2936QR	RS2936RR
25	(F)	RS2928	RS2928QR	RS2928RR	(E)	RS2937	RS2937QR	RS2937RR
35	(G)	RS2929	RS2929QR	RS2929RR	(F)	RS2938	RS2938QR	RS2938RR
50	(H)	RS2930	RS2930QR	RS2930RR	(G)	RS2939	RS2939QR	RS2939RR
70	(I)	RS2931	RS2931QR	RS2931RR	-	-	-	-
95	(J)	RS2932	RS2932QR	RS2932RR	-	-	-	-
120	(K)	RS2933	RS2933QR	RS2933RR	-	-	-	-
150	(L)	RS2934	RS2934QR	RS2934RR	-	-	-	-
185	(M)	RS2935	RS2935QR	RS2935RR	-	-	-	-

\*Gland Reference Letter

Part Breakdown For Customised Cables; One of Each Type Required



1 AL 1100V 425A 4P Receptacle  
 Stock No: Refer to Page 17

2 AL Gland Bracket Body Kit  
 Stock No: RS2510

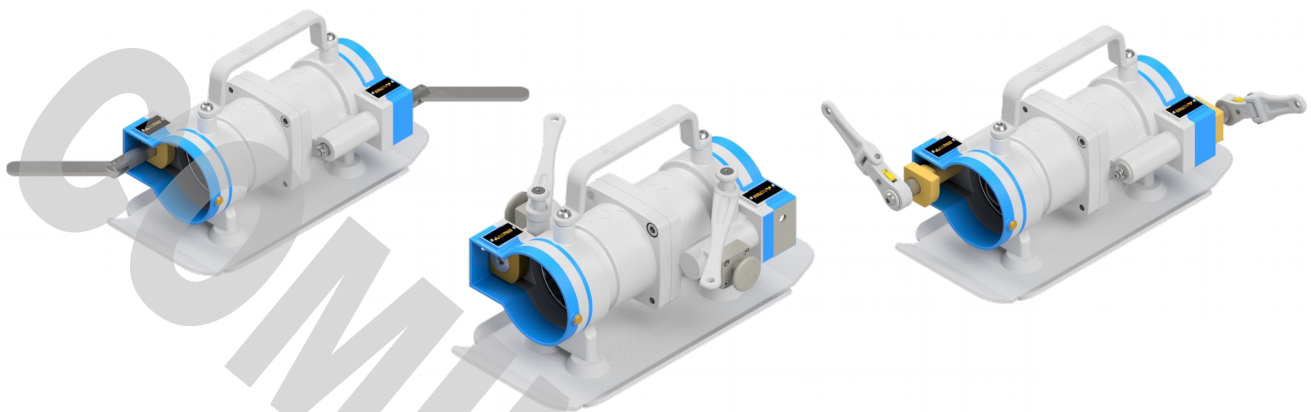
Compression Gland		
*Ref.	Gland ID	Stock No.
(A)	10-15	RS2212
(B)	15-20	RS2213
(C)	20-25	RS2214
(D)	25-30	RS2215
(E)	30-35	RS1618
(F)	35-40	RS1619
(G)	40-45	RS1620
(H)	45-50	RS1621
(I)	50-55	RS1622
(J)	55-60	RS1623
(K)	60-65	RS1624
(L)	65-70	RS1625
(M)	70-75	RS1626
(N)	75-80	RS1627

\*Gland Reference Letter



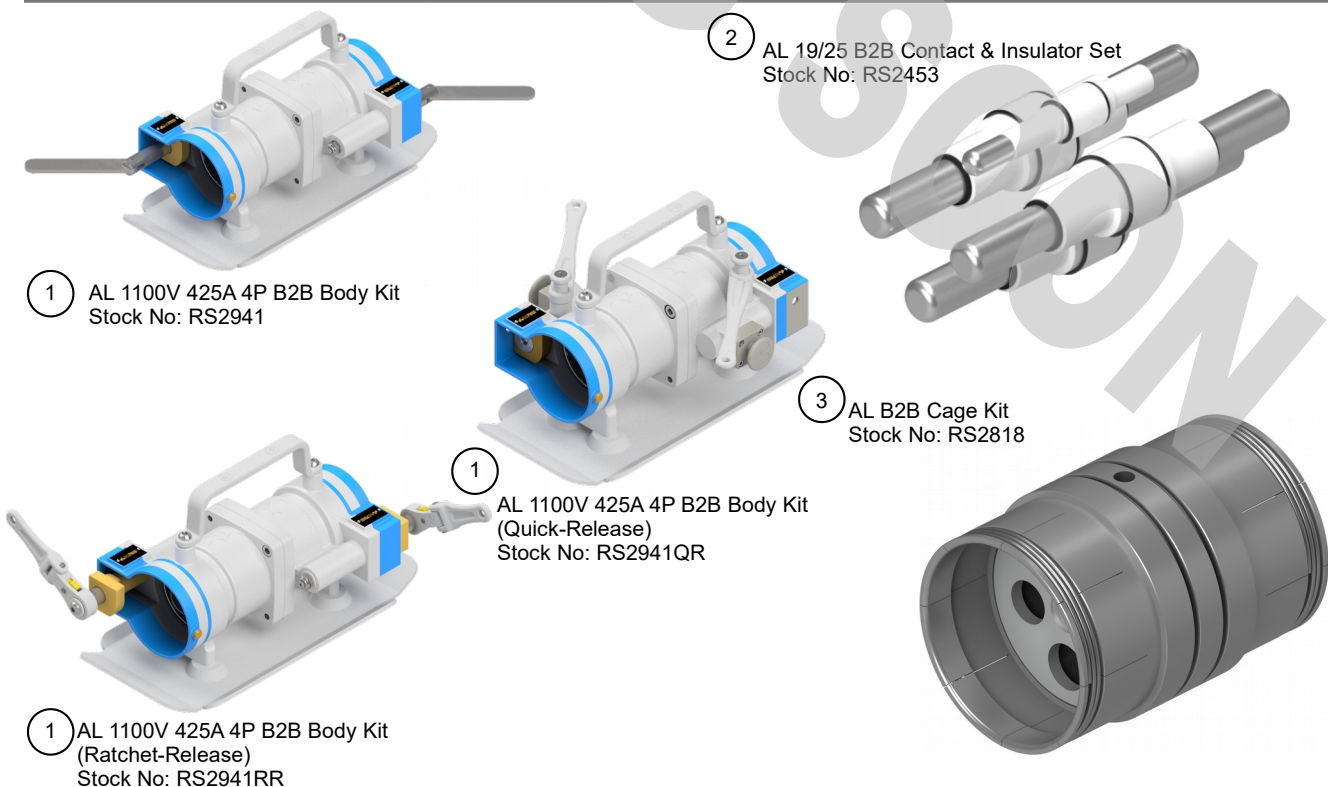
## Non-Ex 1100V 425A 4 Pin AL Back To Back (B2B) 3 Phase 1 Pilot

**Flameproof Range Available NOW! 100% Compatible With New AL Range. See website for Tech Manual #473**



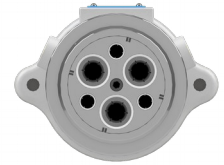
Release	Complete Back to Back		
	Jack In	Quick Release	Ratchet Release
	Stock No: RS2940	RS2940QR	RS2940RR

### Part Breakdown For Customised Cables; One of Each Type Required



# Non-Ex 1100V 300A 6 Pin AL Plug

3 Phase 3 Pilot



Pilot Orientation

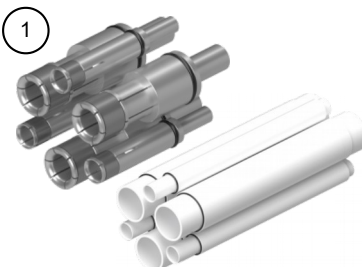
Pre-Built to Suit Cable Type



Complete Plug to Suit Cable Type				
(mm <sup>2</sup> )	*Ref.	241.1	*Ref.	245.1
16	(F)	RS2942	-	-
25	(F)	RS2943	-	-
35	(G)	RS2944	-	-
50	(H)	RS2945	(H)	RS2951
70	(I)	RS2946	(I)	RS2952
95	(J)	RS2947	(J)	RS2953
120	(K)	RS2948	(L)	RS2954
150	(L)	RS2949	(M)	RS2955
185	(M)	RS2950	-	-

\*Gland Reference Letter

Part Breakdown For Customised Cables; One of Each Type Required

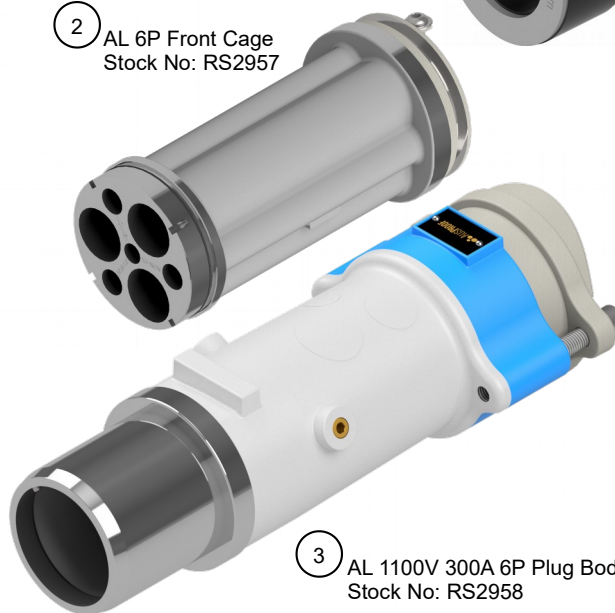


12 / 25 Style Tube Contact Sets		
(mm <sup>2</sup> )	ID (mm)	Stock No.
16	6.5	RS1942
25	7.5	RS1943
35	9.0	RS1944
50	10.5	RS1945
70	12.5	RS1946
95	14.0	RS1947
120	16.0	RS1948
150	17.7	RS1949
185	19.5	RS1950

2 AL 6P Front Cage  
Stock No: RS2957



Compression Gland		
*Ref.	Gland ID	Stock No.
(A)	10-15	RS2212
(B)	15-20	RS2213
(C)	20-25	RS2214
(D)	25-30	RS2215
(E)	30-35	RS1618
(F)	35-40	RS1619
(G)	40-45	RS1620
(H)	45-50	RS1621
(I)	50-55	RS1622
(J)	55-60	RS1623
(K)	60-65	RS1624
(L)	65-70	RS1625
(M)	70-75	RS1626
(N)	75-80	RS1627



3 AL 1100V 300A 6P Plug Body  
Stock No: RS2958

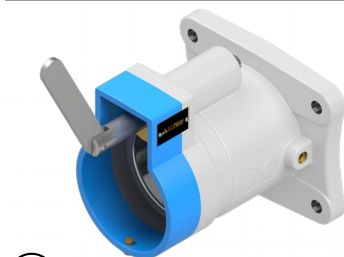
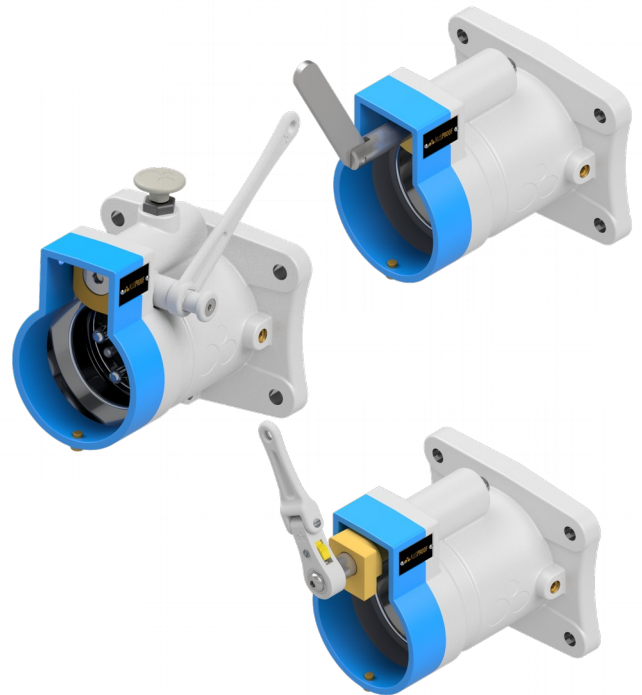
\*Gland Reference Letter



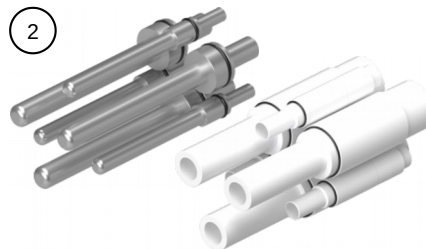
Pilot Orientation

## Non-Ex 1100V 300A 6 Pin AL Receptacle 3 Phase 3 Pilot

Receptacle Type to Suit mm <sup>2</sup> Cable Tails			
(mm <sup>2</sup> )	(Jack In)	(Quick Release)	(Ratchet Release)
16	RS2959	RS2959QR	RS2959RR
25	RS2960	RS2960QR	RS2960RR
35	RS2961	RS2961QR	RS2961RR
50	RS2962	RS2962QR	RS2962RR
70	RS2963	RS2963QR	RS2963RR
95	RS2964	RS2964QR	RS2964RR
120	RS2965	RS2965QR	RS2965RR
150	RS2966	RS2966QR	RS2966RR
185	RS2967	RS2967QR	RS2967RR



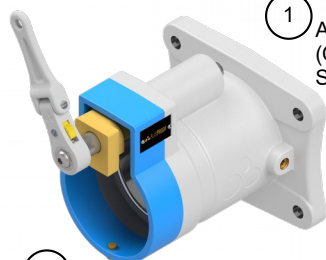
1 AL 1100V 300A 6P Receptacle Body  
Stock No: RS2968



12 / 106 Style Pins Contact Sets.		
(mm <sup>2</sup> )	ID (mm)	Stock No.
16	6.5	RS2088
25	7.5	RS2089
35	9.0	RS2090
50	10.5	RS2091
70	12.5	RS2092
95	14.0	RS2093
120	16.0	RS2094
150	17.7	RS2095
185	19.5	RS2096



1 AL 1100V 300A 6P Receptacle Body (Quick Release)  
Stock No: RS2968QR



1 AL 1100V 300A 6P Receptacle Body (Ratchet Release)  
Stock No: RS2968RR

3 AL 6P Receptacle Cage  
Stock No: RS2969





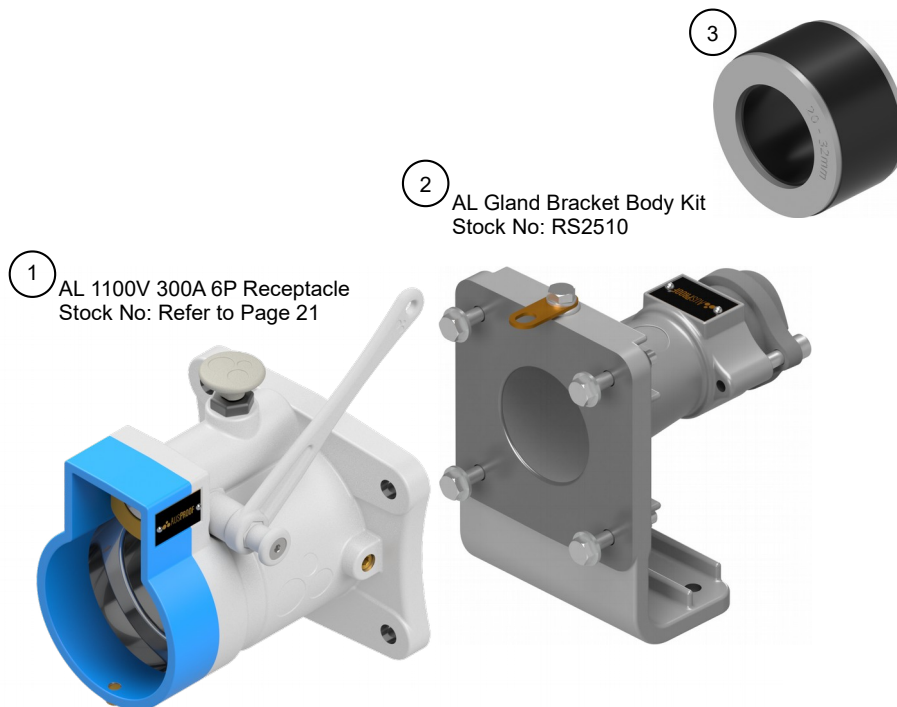
Pre-Built to Suit Cable Type

Complete Receptacle Gland Bracket to Suit Cable Type

(mm²)	*Ref	241.1			*Ref.	275.1		
		Jack In	Quick Release	Ratchet Release		Jack In	Quick release	Ratchet Release
16	(F)	RS2970	RS2970QR	RS2970RR	-	-	-	-
25	(F)	RS2971	RS2971QR	RS2971RR	-	-	-	-
35	(G)	RS2972	RS2972QR	RS2972RR	-	-	-	-
50	(H)	RS2973	RS2973QR	RS2973RR	(H)	RS2979	RS2979QR	RS2979RR
70	(I)	RS2974	RS2974QR	RS2974RR	(I)	RS2980	RS2980QR	RS2980RR
95	(J)	RS2975	RS2975QR	RS2975RR	(J)	RS2981	RS2981QR	RS2981RR
120	(K)	RS2976	RS2976QR	RS2976RR	(L)	RS2982	RS2982QR	RS2982RR
150	(L)	RS2977	RS2977QR	RS2977RR	(M)	RS2983	RS2983QR	RS2983RR
185	(M)	RS2978	RS2978QR	RS2978RR	-	-	-	-

\*Gland Reference Letter

Part Breakdown For Customised Cables; One of Each Type Required



1 AL 1100V 300A 6P Receptacle  
 Stock No: Refer to Page 21

2 AL Gland Bracket Body Kit  
 Stock No: RS2510



Compression Gland

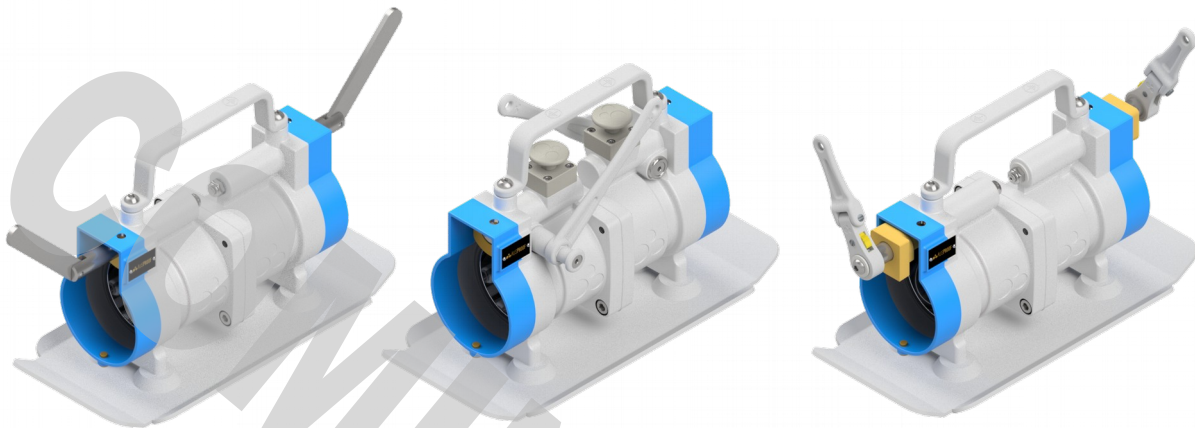
*Ref.	Gland ID	Stock No.
(A)	10-15	RS2212
(B)	15-20	RS2213
(C)	20-25	RS2214
(D)	25-30	RS2215
(E)	30-35	RS1618
(F)	35-40	RS1619
(G)	40-45	RS1620
(H)	45-50	RS1621
(I)	50-55	RS1622
(J)	55-60	RS1623
(K)	60-65	RS1624
(L)	65-70	RS1625
(M)	70-75	RS1626
(N)	75-80	RS1627

\*Gland Reference Letter

## Non-Ex 1100V 300A 6 Pin AL Back To Back (B2B) 3 Phase 3 Pilot

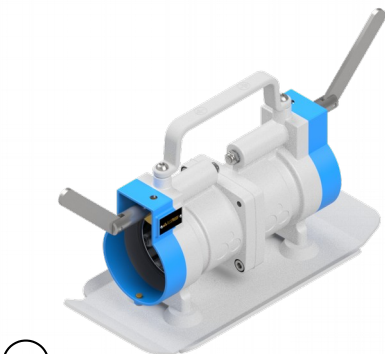


**Flameproof Range Available NOW! 100% Compatible With New AL Range. See website for Tech Manual #473**

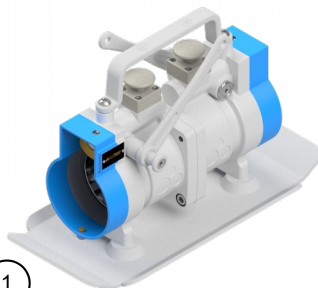


Complete Back to Back		
Jack In	Quick Release	Ratchet Release
Stock No: RS2984	RS2984QR	RS2984RR

### Part Breakdown For Customised Cables; One of Each Type Required



① AL 1100V 300A 6P B2B Body Kit  
Stock No: RS2985

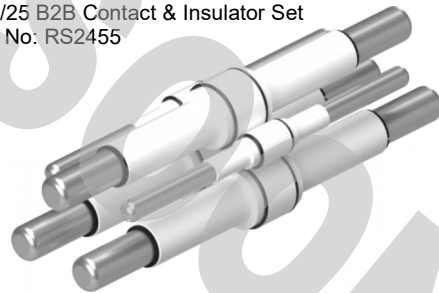


① AL 1100V 300A 6P B2B Body Kit (Quick-Release)  
Stock No: RS2985QR



① AL 1100V 300A 6P B2B Body Kit (Ratchet-Release)  
Stock No: RS2985RR

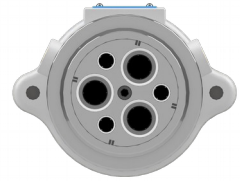
② AL 12/25 B2B Contact & Insulator Set  
Stock No: RS2455



③ AL 6P B2B Cage Kit  
Stock No: RS2986



# Non-Ex 1100V 425A 6 Pin AL Plug 3 Phase 3 Pilot



Pilot Orientation

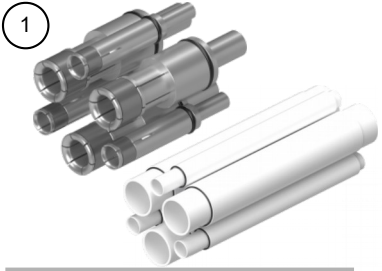
Pre-Built to Suit Cable Type



Complete Plug to Suit Cable Type				
(mm <sup>2</sup> )	*Ref.	241.1	*Ref.	245.1
16	(F)	RS2987	-	-
25	(F)	RS2988	-	-
35	(G)	RS2989	-	-
50	(H)	RS2990	(H)	RS2996
70	(I)	RS2991	(I)	RS2997
95	(J)	RS2992	(J)	RS2998
120	(K)	RS2993	(K)	RS2999
150	(L)	RS2994	(L)	RS3000
185	(M)	RS2995	-	-

\*Gland Reference Letter

Part Breakdown For Customised Cables; One of Each Type Required



16 / 25 Style Tube Contact Sets		
(mm <sup>2</sup> )	ID (mm)	Stock No.
16	6.5	RS1951
25	7.5	RS1952
35	9.0	RS1953
50	10.5	RS1954
70	12.5	RS1955
95	14.0	RS1956
120	16.0	RS1957
150	17.7	RS1958
185	19.5	RS1959

2 AL 6P Front Cage  
Stock No: RS2957



Compression Gland		
*Ref.	Gland ID	Stock No.
(A)	10-15	RS2212
(B)	15-20	RS2213
(C)	20-25	RS2214
(D)	25-30	RS2215
(E)	30-35	RS1618
(F)	35-40	RS1619
(G)	40-45	RS1620
(H)	45-50	RS1621
(I)	50-55	RS1622
(J)	55-60	RS1623
(K)	60-65	RS1624
(L)	65-70	RS1625
(M)	70-75	RS1626
(N)	75-80	RS1627

3 AL 1100V 425A 6P Plug Body  
Stock No: RS3002

\*Gland Reference Letter

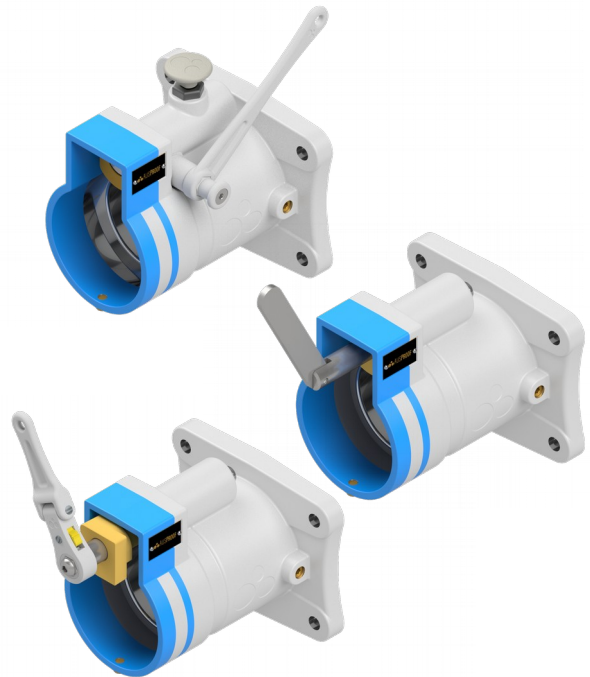


## Non-Ex 1100V 425A 6 Pin AL Receptacle 3 Phase 3 Pilot



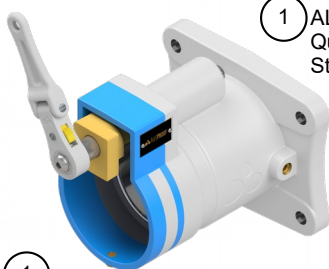
Pilot Orientation

Receptacle Type to Suit mm <sup>2</sup> Cable Tails			
(mm <sup>2</sup> )	(Jack In)	(Quick Release)	(Ratchet Release)
16	RS3003	RS3003QR	RS3003RR
25	RS3004	RS3004QR	RS3004RR
35	RS3005	RS3005QR	RS3005RR
50	RS3006	RS3006QR	RS3006RR
70	RS3007	RS3007QR	RS3007RR
95	RS3008	RS3008QR	RS3008RR
120	RS3009	RS3009QR	RS3009RR
150	RS3010	RS3010QR	RS3010RR
185	RS3011	RS3011QR	RS3011RR



1 AL 1100V 425A 6P Receptacle Body  
Stock No: RS3012

1 AL 1100V 425A 6P Receptacle Body Quick Release  
Stock No: RS3012QR



1 AL 1100V 425A 6P Receptacle Body (Ratchet Release)  
Stock No: RS3012RR

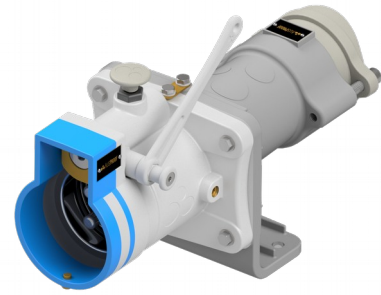


2

19 / 106 Style Pins Contact Sets.		
(mm <sup>2</sup> )	ID (mm)	Stock No.
16	6.5	RS2097
25	7.5	RS2098
35	9.0	RS2099
50	10.5	RS2100
70	12.5	RS2101
95	14.0	RS2102
120	16.0	RS2103
150	17.7	RS2104
185	19.5	RS2105

3 AL 6P Receptacle Cage  
Stock No: RS2969



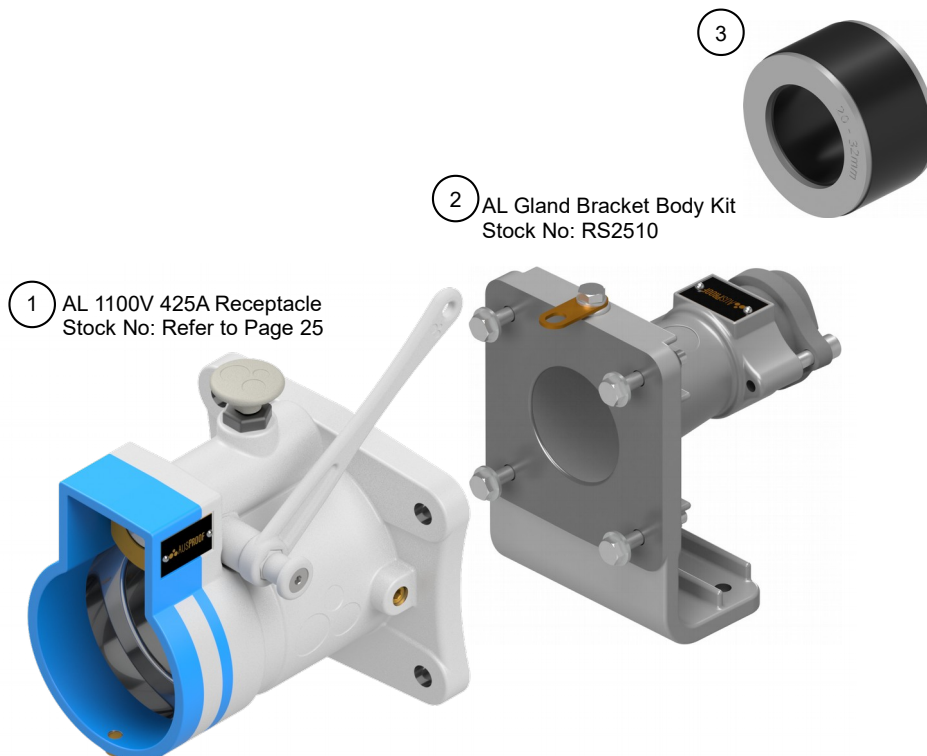


Pre-Built to Suit Cable Type

Complete Receptacle Gland Bracket to Suit Cable Type								
(mm <sup>2</sup> )	*Ref	241.1			*Ref.	275.1		
		Jack In	Quick Release	Ratchet Release		Jack In	Quick release	Ratchet Release
16	(F)	RS3013	RS3013QR	RS3013RR	-	-	-	-
25	(F)	RS3014	RS3014QR	RS3014RR	-	-	-	-
35	(G)	RS3015	RS3015QR	RS3015RR	-	-	-	-
50	(H)	RS3016	RS3016QR	RS3016RR	(H)	RS3022	RS3022QR	RS3022RR
70	(I)	RS3017	RS3017QR	RS3017RR	(I)	RS3023	RS3023QR	RS3023RR
95	(J)	RS3018	RS3018QR	RS3018RR	(J)	RS3024	RS3024QR	RS3024RR
120	(K)	RS3019	RS3019QR	RS3019RR	(L)	RS3025	RS3025QR	RS3025RR
150	(L)	RS3020	RS3020QR	RS3020RR	(M)	RS3026	RS3026QR	RS3026RR
185	(M)	RS3021	RS3021QR	RS3021RR	-	-	-	-

\*Gland Reference Letter

Part Breakdown For Customised Cables; One of Each Type Required



1 AL 1100V 425A Receptacle  
 Stock No: Refer to Page 25

2 AL Gland Bracket Body Kit  
 Stock No: RS2510

3

Compression Gland		
*Ref.	Gland ID	Stock No.
(A)	10-15	RS2212
(B)	15-20	RS2213
(C)	20-25	RS2214
(D)	25-30	RS2215
(E)	30-35	RS1618
(F)	35-40	RS1619
(G)	40-45	RS1620
(H)	45-50	RS1621
(I)	50-55	RS1622
(J)	55-60	RS1623
(K)	60-65	RS1624
(L)	65-70	RS1625
(M)	70-75	RS1626
(N)	75-80	RS1627

\*Gland Reference Letter



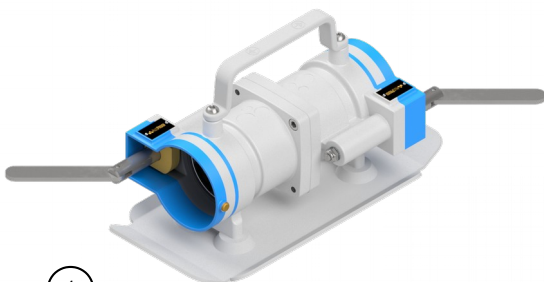
## Non-Ex 1100V 425A 6 Pin AL Back To Back (B2B) 3 Phase 3 Pilot

**Flameproof Range Available NOW! 100% Compatible With New AL Range. See website for Tech Manual #473**



Complete Back to Back		
Jack In	Quick Release	Ratchet Release
Stock No: RS3027	RS3027QR	RS3027RR

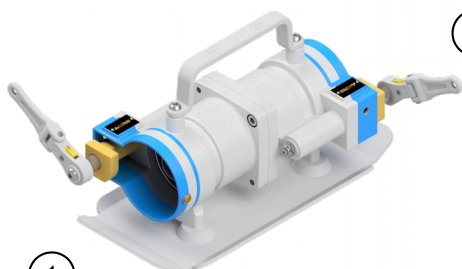
### Part Breakdown For Customised Cables; One of Each Type Required



① AL 1100V 425A 6P B2B Body Kit  
Stock No: RS3028

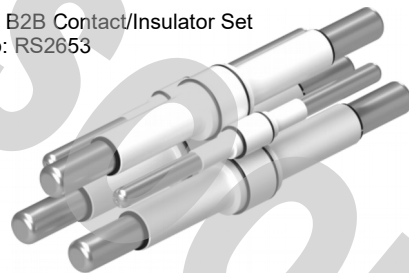


① AL 1100V 425A 6P B2B Body Kit  
(Quick-Release)  
Stock No: RS3028QR



① AL 1100V 425A 4P B2B Body Kit  
(Ratchet-Release)  
Stock No: RS3028RR

② AL 16/25 B2B Contact/Insulator Set  
Stock No: RS2653



③ AL B2B Cage Kit  
Stock No: RS2986



## Non-Ex 3300V 300A 4 Pin AL Plug 3 Phase 1 Pilot



Pilot Orientation

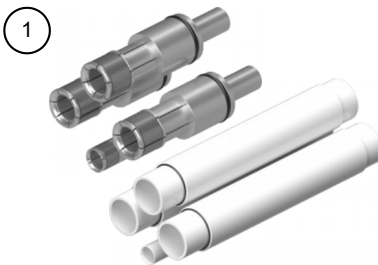
Pre-Built to Suit Cable Type



Complete Plug to Suit Cable Type				
(mm <sup>2</sup> )	*Ref.	241.3	*Ref.	245.3
16	(G)	RS3029	-	-
25	(H)	RS3030	-	-
35	(I)	RS3031	-	-
50	(I)	RS3032	(J)	RS3038
70	(J)	RS3033	(K)	RS3039
95	(K)	RS3034	(L)	RS3040
120	(L)	RS3035	(M)	RS3041
150	(M)	RS3036	(N)	RS3042
185	(N)	RS3037	-	-

\*Gland Reference Letter

### Part Breakdown For Customised Cables; One of Each Type Required



12 / 25 Style Tube Contact Sets		
(mm <sup>2</sup> )	ID (mm)	Stock No.
16	6.5	RS1960
25	7.5	RS1961
35	9.0	RS1962
50	10.5	RS1963
70	12.5	RS1964
95	14.0	RS1965
120	16.0	RS1966
150	17.7	RS1967
185	19.5	RS1968

2 AL 4P Front Cage  
Stock No: RS2789



Compression Gland		
*Ref.	Gland ID	Stock No.
(A)	10-15	RS2212
(B)	15-20	RS2213
(C)	20-25	RS2214
(D)	25-30	RS2215
(E)	30-35	RS1618
(F)	35-40	RS1619
(G)	40-45	RS1620
(H)	45-50	RS1621
(I)	50-55	RS1622
(J)	55-60	RS1623
(K)	60-65	RS1624
(L)	65-70	RS1625
(M)	70-75	RS1626
(N)	75-80	RS1627

\*Gland Reference Letter



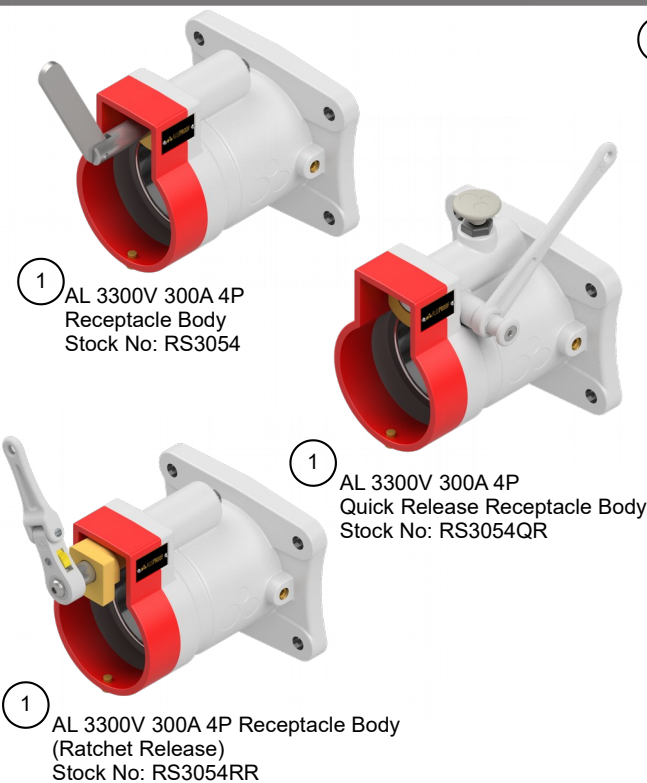
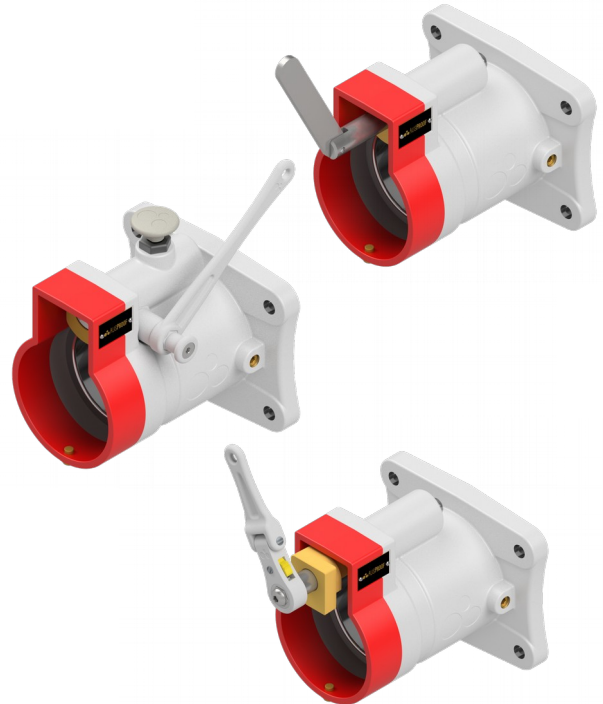
3 AL 3300V 300A 4P Plug Body  
Stock No: RS3044



Pilot Orientation

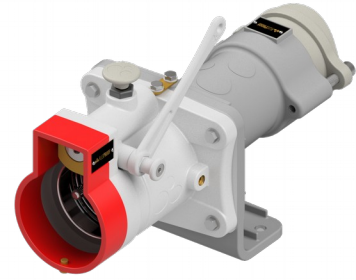
## Non-Ex 3300V 300A 4 Pin AL Receptacle 3 Phase 1 Pilot

Receptacle Type to Suit mm <sup>2</sup> Cable Tails			
(mm <sup>2</sup> )	(Jack In)	(Quick Release)	(Ratchet Release)
16	RS3045	RS3045QR	RS3045RR
25	RS3046	RS3046QR	RS3046RR
35	RS3047	RS3047QR	RS3047RR
50	RS3048	RS3048QR	RS3048RR
70	RS3049	RS3049QR	RS3049RR
95	RS3050	RS3050QR	RS3050RR
120	RS3051	RS3051QR	RS3051RR
150	RS3052	RS3052QR	RS3052RR
185	RS3053	RS3053QR	RS3053RR



12 / 106 Style Pins Contact Sets.		
(mm <sup>2</sup> )	ID (mm)	Stock No.
16	6.5	RS2106
25	7.5	RS2107
35	9.0	RS2108
50	10.5	RS2109
70	12.5	RS2110
95	14.0	RS2111
120	16.0	RS2112
150	17.7	RS2113
185	19.5	RS2114



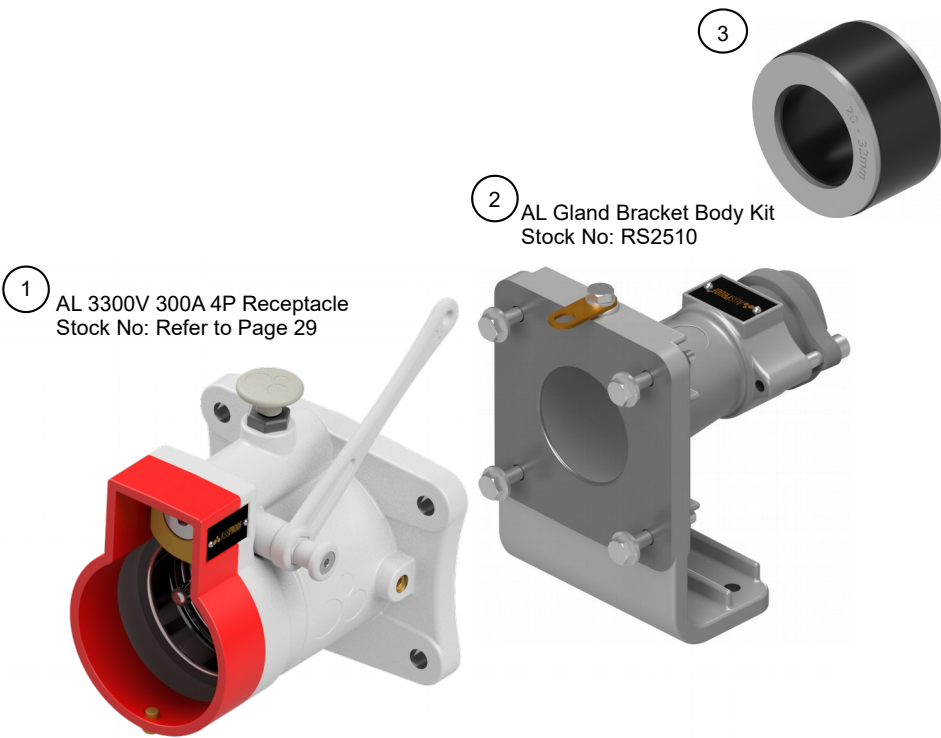


Pre-Built to Suit Cable Type

Complete Receptacle Gland Bracket to Suit Cable Type								
(mm <sup>2</sup> )	*Ref	241.3			*Ref.	245.3		
		Jack In	Quick Release	Ratchet Release		Jack In	Quick release	Ratchet Release
16	(G)	RS3055	RS3055QR	RS3055RR	-	-	-	-
25	(H)	RS3056	RS3056QR	RS3056RR	-	-	-	-
35	(I)	RS3057	RS3057QR	RS3057RR	-	-	-	-
50	(I)	RS3058	RS3058QR	RS3058RR	(J)	RS3064	RS3064QR	RS3064RR
70	(J)	RS3059	RS3059QR	RS3059RR	(K)	RS3065	RS3065QR	RS3065RR
95	(K)	RS3060	RS3060QR	RS3060RR	(L)	RS3066	RS3066QR	RS3066RR
120	(L)	RS3061	RS3061QR	RS3061RR	(M)	RS3067	RS3067QR	RS3067RR
150	(M)	RS3062	RS3062QR	RS3062RR	(N)	RS3068	RS3068QR	RS3068RR
185	(N)	RS3063	RS3063QR	RS3063RR	-	-	-	-

\*Gland Reference Letter

Part Breakdown For Customised Cables; One of Each Type Required



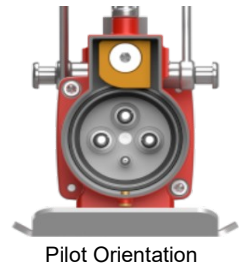
1 AL 3300V 300A 4P Receptacle  
 Stock No: Refer to Page 29

2 AL Gland Bracket Body Kit  
 Stock No: RS2510

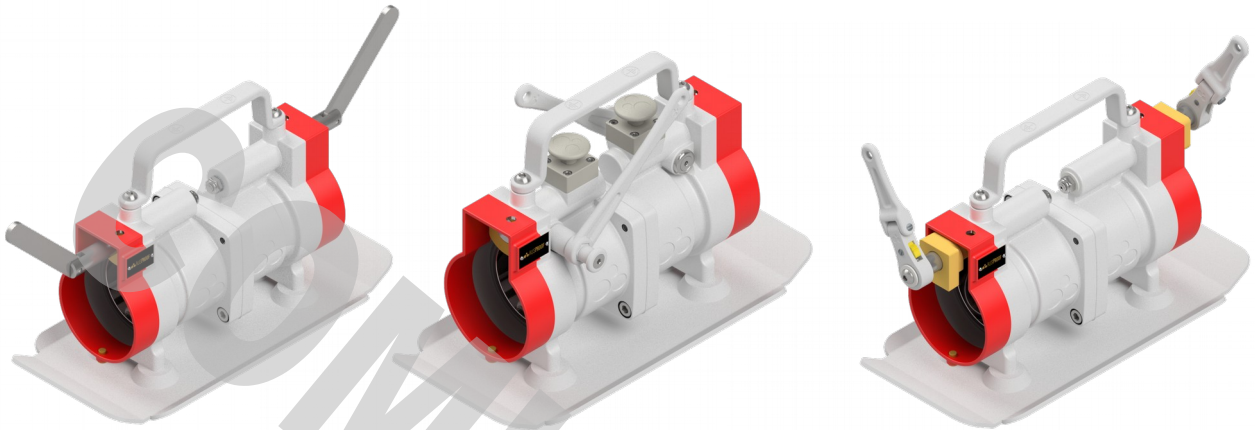
Compression Gland		
*Ref.	Gland ID	Stock No.
(A)	10-15	RS2212
(B)	15-20	RS2213
(C)	20-25	RS2214
(D)	25-30	RS2215
(E)	30-35	RS1618
(F)	35-40	RS1619
(G)	40-45	RS1620
(H)	45-50	RS1621
(I)	50-55	RS1622
(J)	55-60	RS1623
(K)	60-65	RS1624
(L)	65-70	RS1625
(M)	70-75	RS1626
(N)	75-80	RS1627

\*Gland Reference Letter

## Non-Ex 3300V 300A 4 Pin AL Back To Back (B2B) 3 Phase 1 Pilot

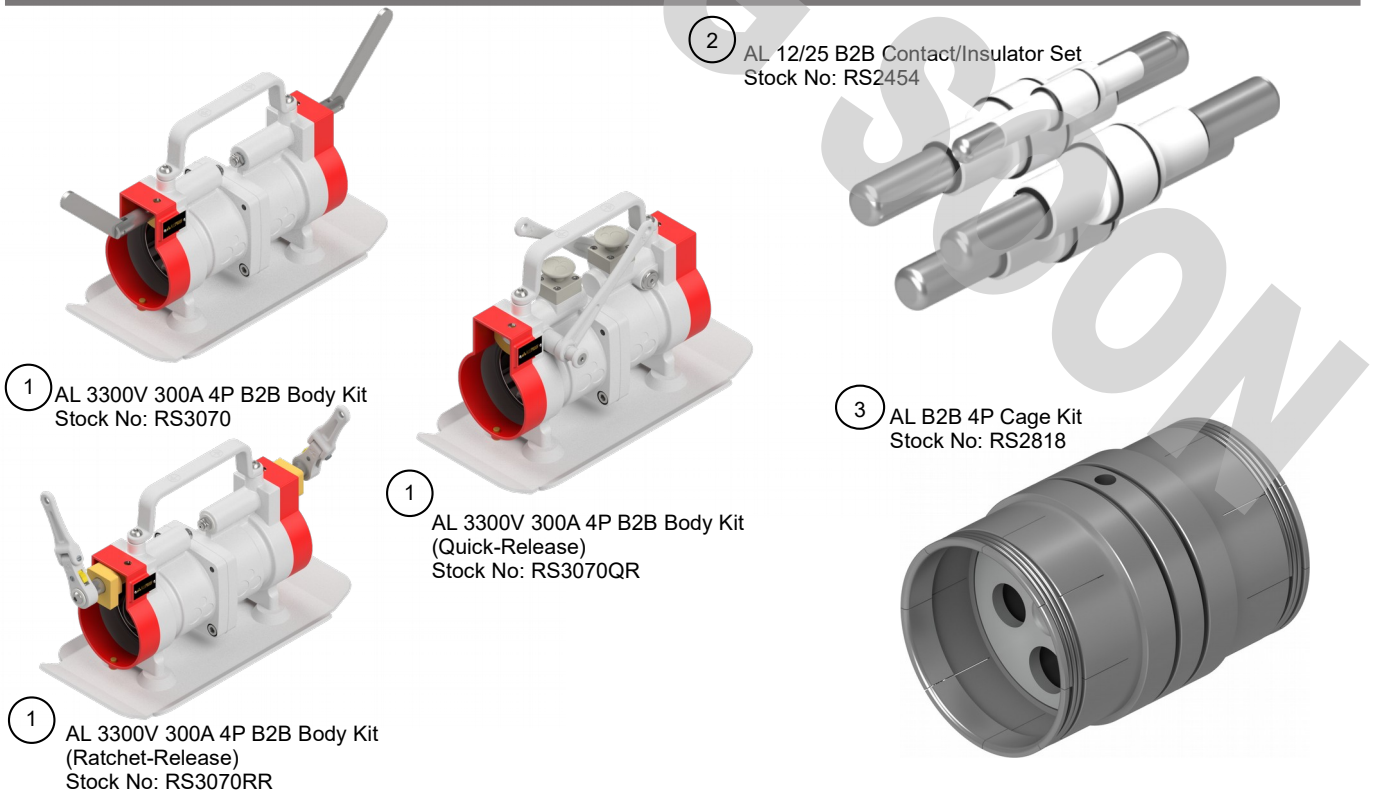


**Flameproof Range Available NOW! 100% Compatible With New AL Range. See website for Tech Manual #473**



Complete Back to Back		
Jack In	Quick Release	Ratchet Release
Stock No: RS3069	RS3069QR	RS3069RR

### Part Breakdown For Customised Cables, One of Each Type Required



## Non-Ex 3300V 425A 4 Pin AL Plug 3 Phase 1 Pilot



Pilot Orientation

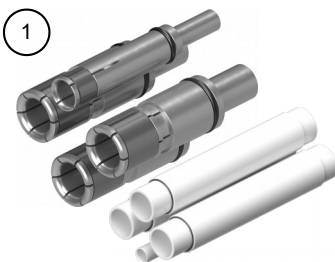
Pre-Built to Suit Cable Type



Complete Plug to Suit Cable Type				
(mm <sup>2</sup> )	*Ref.	241.3	*Ref.	275.1
16	(G)	RS3071	-	-
25	(H)	RS3072	-	-
35	(I)	RS3073	-	-
50	(I)	RS3074	(J)	RS3080
70	(J)	RS3075	(K)	RS3081
95	(K)	RS3076	(L)	RS3082
120	(L)	RS3077	(M)	RS3083
150	(M)	RS3078	(N)	RS3084
185	(N)	RS3079	-	-

\*Gland Reference Letter

Part Breakdown For Customised Cables; One of Each Type Required



16 / 25 Style Tube Contact Sets		
(mm <sup>2</sup> )	ID (mm)	Stock No.
16	6.5	RS2347
25	7.5	RS2348
35	9.0	RS2349
50	10.5	RS2350
70	12.5	RS2351
95	14.0	RS2352
120	16.0	RS2353
150	17.7	RS2354
185	19.5	RS2355

2 4P Front Cage  
Stock No: RS2789



3 AL 3300V 425A 4P Plug Body  
Stock No: RS3086



Compression Gland		
*Ref.	Gland ID	Stock No.
(A)	10-15	RS2212
(B)	15-20	RS2213
(C)	20-25	RS2214
(D)	25-30	RS2215
(E)	30-35	RS1618
(F)	35-40	RS1619
(G)	40-45	RS1620
(H)	45-50	RS1621
(I)	50-55	RS1622
(J)	55-60	RS1623
(K)	60-65	RS1624
(L)	65-70	RS1625
(M)	70-75	RS1626
(N)	75-80	RS1627

\*Gland Reference Letter



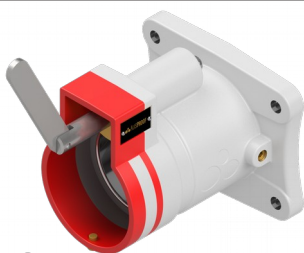
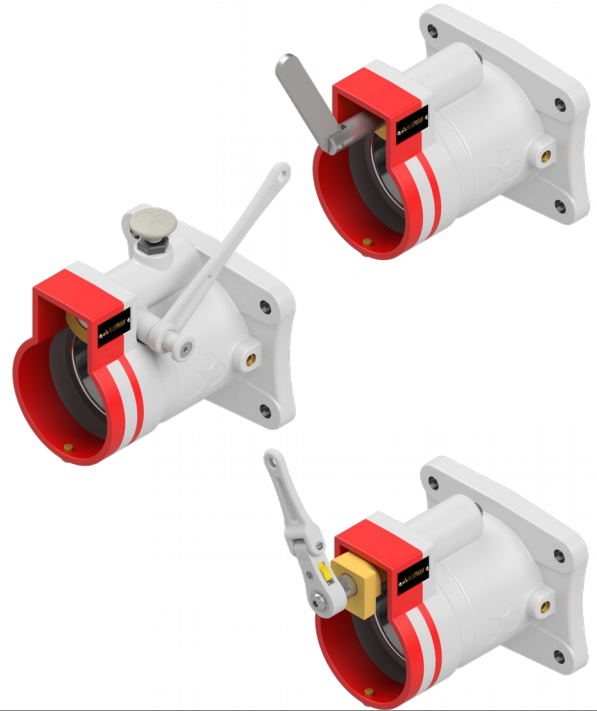


Pilot Orientation

# Non-Ex 3300V 425A 4 Pin AL Receptacle

3 Phase 1 Pilot

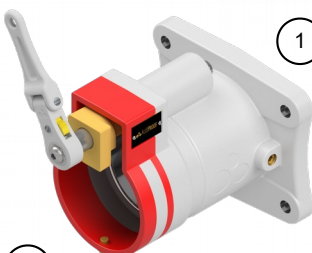
Receptacle Type to Suit mm <sup>2</sup> Cable Tails			
(mm <sup>2</sup> )	(Jack In)	(Quick Release)	(Ratchet Release)
16	RS3087	RS3087QR	RS3087RR
25	RS3088	RS3088QR	RS3088RR
35	RS3089	RS3089QR	RS3089RR
50	RS3090	RS3090QR	RS3090RR
70	RS3091	RS3091QR	RS3091RR
95	RS3092	RS3092QR	RS3092RR
120	RS3093	RS3093QR	RS3093RR
150	RS3094	RS3094QR	RS3094RR
185	RS3095	RS3095QR	RS3095RR



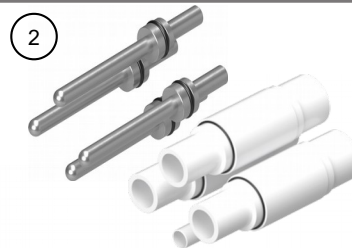
1 AL 3300V 425A Receptacle Body  
Stock No: RS3096



1 AL 3300V 425A Receptacle Body (Quick Release)  
Stock No: RS3096QR



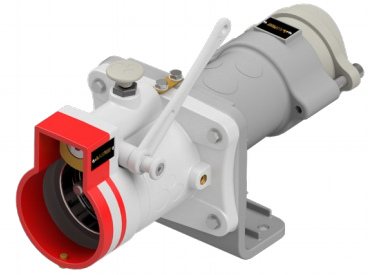
1 AL 3300V 425A Receptacle Body (Ratchet Release)  
Stock No: RS3096RR



16 / 106 Style Pins Contact Sets.		
(mm <sup>2</sup> )	ID (mm)	Stock No.
16	6.5	RS2117
25	7.5	RS2118
35	9.0	RS2119
50	10.5	RS2120
70	12.5	RS2121
95	14.0	RS2122
120	16.0	RS2123
150	17.7	RS2124
185	19.5	RS2125

3 AL 4P Receptacle Cage  
Stock No: RS2801



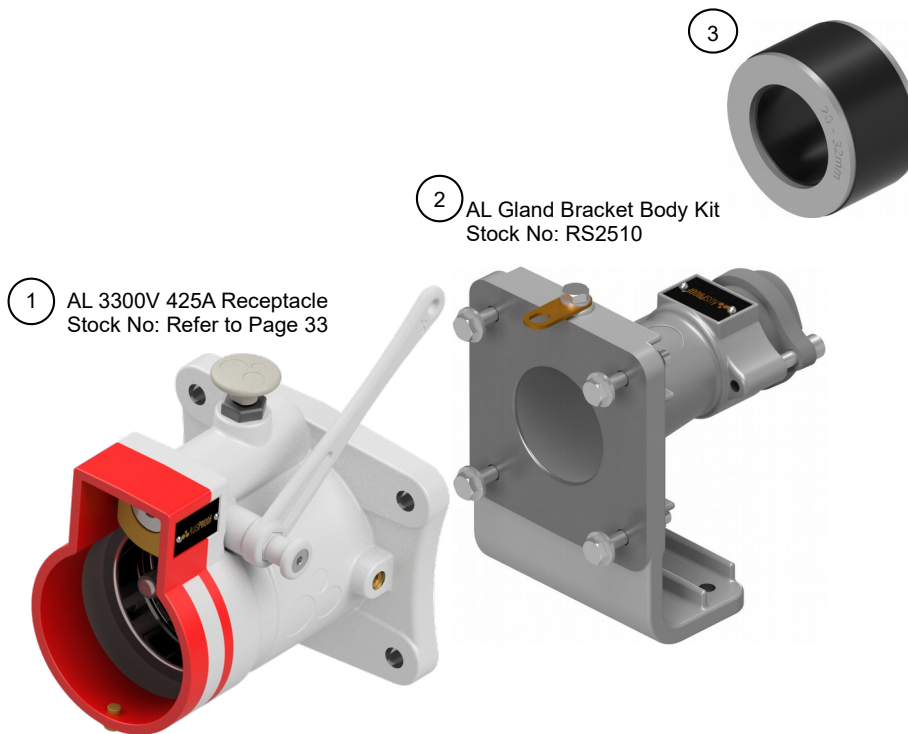


Pre-Built to Suit Cable Type

Complete Receptacle Gland Bracket to Suit Cable Type								
(mm <sup>2</sup> )	*Ref	241.3			*Ref.	245.3		
		Jack In	Quick Release	Ratchet Release		Jack In	Quick release	Ratchet Release
16	(G)	RS3097	RS3097QR	RS3097RR	-	-	-	-
25	(H)	RS3098	RS3098QR	RS3098RR	-	-	-	-
35	(I)	RS3099	RS3099QR	RS3099RR	-	-	-	-
50	(I)	RS3100	RS3100QR	RS3100RR	(J)	RS3106	RS3106QR	RS3106RR
70	(J)	RS3101	RS3101QR	RS3101RR	(K)	RS3107	RS3107QR	RS3107RR
95	(K)	RS3102	RS3102QR	RS3102RR	(L)	RS3108	RS3108QR	RS3108RR
120	(L)	RS3103	RS3103QR	RS3103RR	(M)	RS3109	RS3109QR	RS3109RR
150	(M)	RS3104	RS3104QR	RS3104RR	(N)	RS3110	RS3110QR	RS3110RR
185	(N)	RS3105	RS3105QR	RS3105RR	-	-	-	-

\*Gland Reference Letter

Part Breakdown For Customised Cables; One of Each Type Required



1 AL 3300V 425A Receptacle  
 Stock No: Refer to Page 33

2 AL Gland Bracket Body Kit  
 Stock No: RS2510

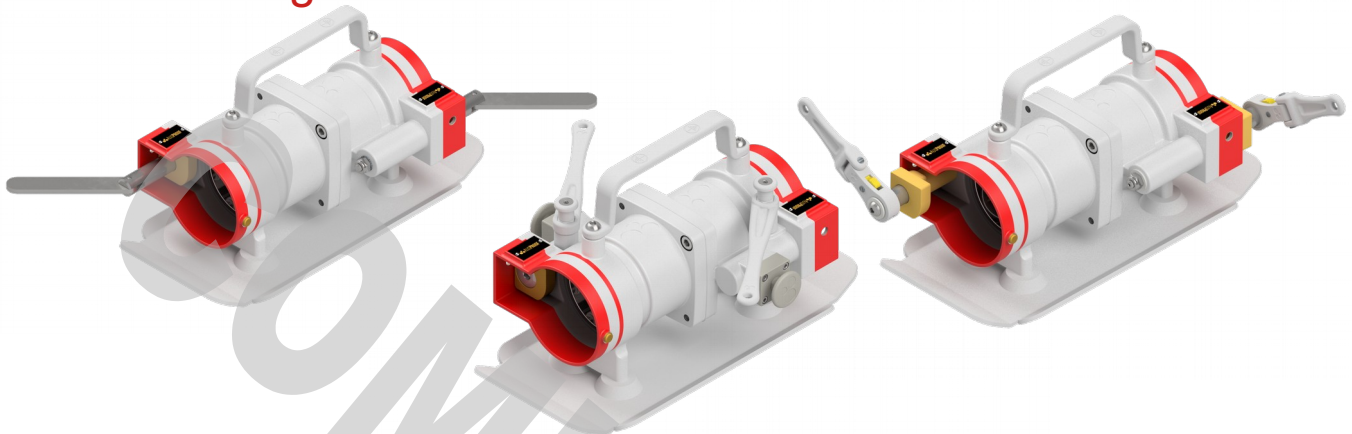


Compression Gland		
*Ref.	Gland ID	Stock No.
(A)	10-15	RS2212
(B)	15-20	RS2213
(C)	20-25	RS2214
(D)	25-30	RS2215
(E)	30-35	RS1618
(F)	35-40	RS1619
(G)	40-45	RS1620
(H)	45-50	RS1621
(I)	50-55	RS1622
(J)	55-60	RS1623
(K)	60-65	RS1624
(L)	65-70	RS1625
(M)	70-75	RS1626
(N)	75-80	RS1627

\*Gland Reference Letter

## Non-Ex 3300V 425A 4 Pin AL Back To Back (B2B) 3 Phase 1 Pilot

Flameproof Range Available NOW! 100% Compatible With New AL Range. See website for Tech Manual #473



Complete Back to Back		
Jack In	Quick Release	Ratchet Release
Stock No: RS3111	RS3111QR	RS3111RR

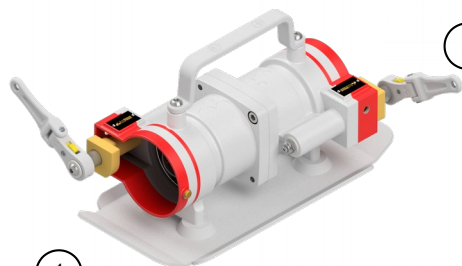
### Part Breakdown For Customised Cables; One of Each Type Required



① AL 1100V 425A 4P B2B Body Kit  
Stock No: RS3112

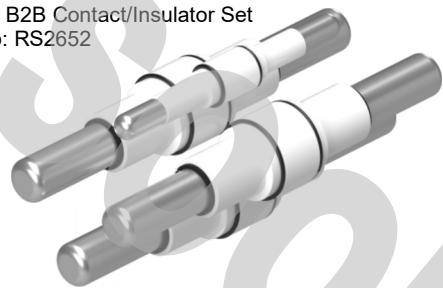


① AL 1100V 425A 4P B2B Body Kit  
(Quick-Release)  
Stock No: RS3112QR



① AL 1100V 425A 4P B2B Body Kit  
(Ratchet-Release)  
Stock No: RS3112RR

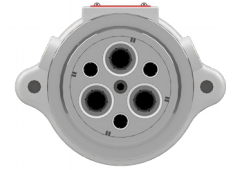
② AL 16/25 B2B Contact/Insulator Set  
Stock No: RS2652



③ AL 4P B2B Cage Kit  
Stock No: RS2818



## Non-Ex 3300V 300A 6 Pin AL Plug 3 Phase 3 Pilot



Pilot Orientation

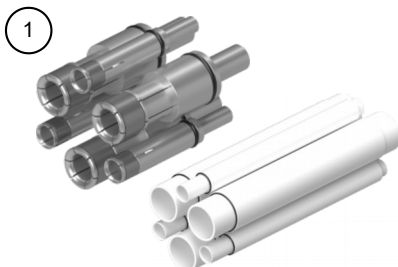
Pre-Built to Suit Cable Type



Complete Plug to Suit Cable Type				
(mm <sup>2</sup> )	*Ref.	241.3	*Ref.	245.3
16	(G)	RS3113	-	-
25	(H)	RS3114	-	-
35	(I)	RS3115	-	-
50	(I)	RS3116	(J)	RS3122
70	(J)	RS3117	(K)	RS3123
95	(K)	RS3118	(L)	RS3124
120	(L)	RS3119	(M)	RS3125
150	(M)	RS3120	(N)	RS3126
185	(N)	RS3121	-	-

\*Gland Reference Letter

### Part Breakdown For Customised Cables; One of Each Type Required



16 / 25 Style Tube Contact Sets		
(mm <sup>2</sup> )	ID (mm)	Stock No.
16	6.5	RS1942
25	7.5	RS1943
35	9.0	RS1944
50	10.5	RS1945
70	12.5	RS1946
95	14.0	RS1947
120	16.0	RS1948
150	17.7	RS1949
185	19.5	RS1950

2 6P Front Cage  
Stock No: RS2957



Compression Gland		
*Ref.	Gland ID	Stock No.
(A)	10-15	RS2212
(B)	15-20	RS2213
(C)	20-25	RS2214
(D)	25-30	RS2215
(E)	30-35	RS1618
(F)	35-40	RS1619
(G)	40-45	RS1620
(H)	45-50	RS1621
(I)	50-55	RS1622
(J)	55-60	RS1623
(K)	60-65	RS1624
(L)	65-70	RS1625
(M)	70-75	RS1626
(N)	75-80	RS1627

\*Gland Reference Letter



3 AL 3300V 300A 6P Plug Body  
Stock No: RS3128

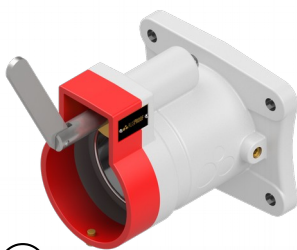
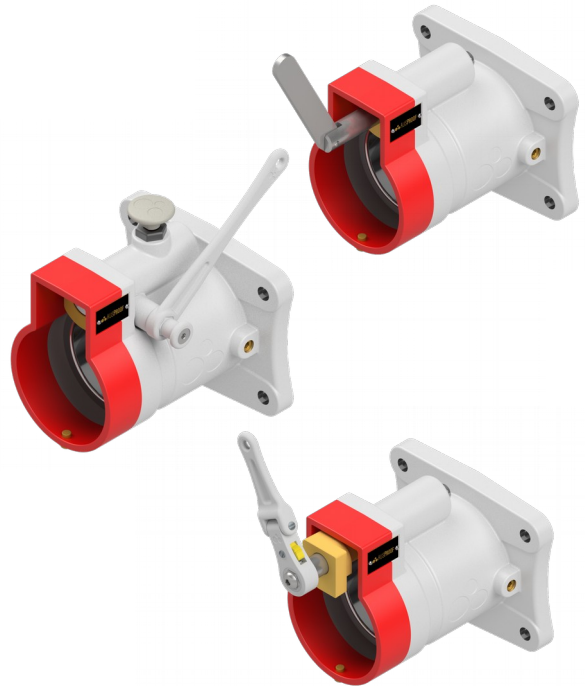
# Non-Ex 3300V 300A 6 Pin AL Receptacle

## 3 Phase 3 Pilot

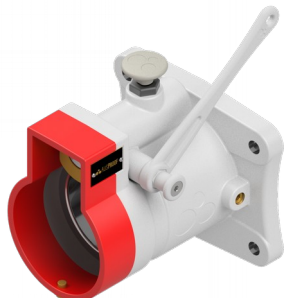


Pilot Orientation

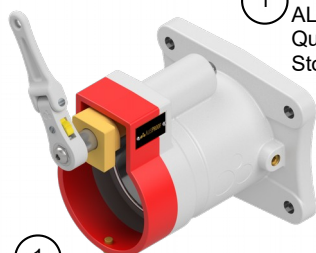
Receptacle Type to Suit mm <sup>2</sup> Cable Tails			
(mm <sup>2</sup> )	(Jack In)	(Quick Release)	(Ratchet Release)
16	RS3129	RS3129QR	RS3129RR
25	RS3130	RS3130QR	RS3130RR
35	RS3131	RS3131QR	RS3131RR
50	RS3132	RS3132QR	RS3132RR
70	RS3133	RS3133QR	RS3133RR
95	RS3134	RS3134QR	RS3134RR
120	RS3135	RS3135QR	RS3135RR
150	RS3136	RS3136QR	RS3136RR
185	RS3137	RS3137QR	RS3137RR



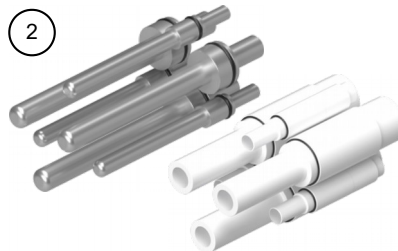
1 AL 3300V 300A 6P Receptacle Body  
Stock No: RS3138



1 AL 3300V 300A 6P Receptacle Body  
Quick Release  
Stock No: RS3138QR



1 AL 3300V 300A 6P Receptacle Body  
Ratchet Release  
Stock No: RS3138RR



12 / 106 Style Pins Contact Sets.		
(mm <sup>2</sup> )	ID (mm)	Stock No.
16	6.5	RS2088
25	7.5	RS2089
35	9.0	RS2090
50	10.5	RS2091
70	12.5	RS2092
95	14.0	RS2093
120	16.0	RS2094
150	17.7	RS2095
185	19.5	RS2096

3 AL 6P Receptacle Cage  
Stock No: RS2969



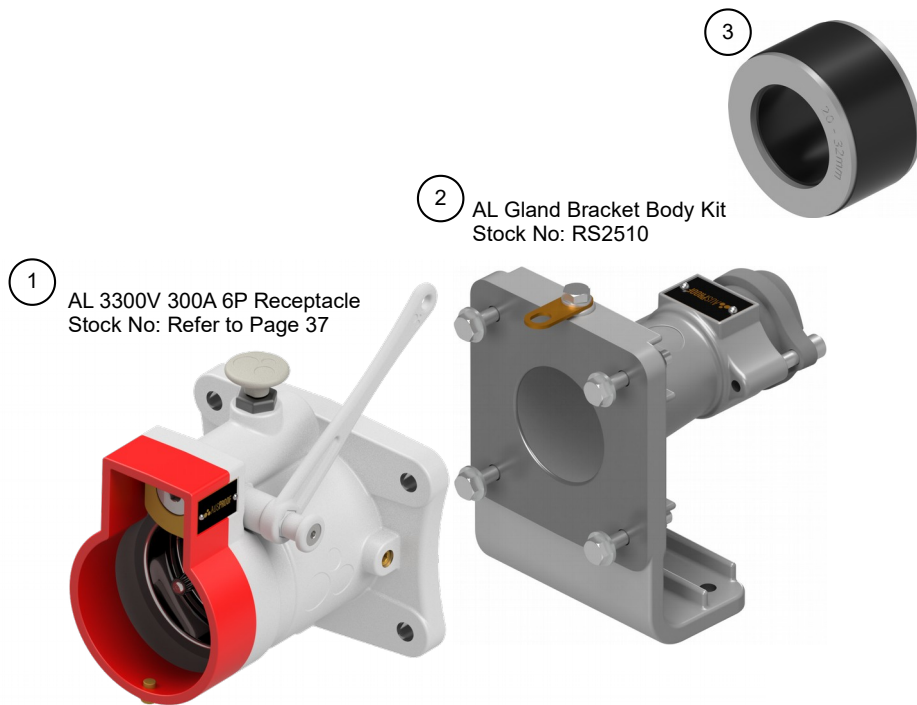


Pre-Built to Suit Cable Type

Complete Receptacle Gland Bracket to Suit Cable Type								
(mm <sup>2</sup> )	*Ref	241.3			*Ref.	245.3		
		Jack In	Quick Release	Ratchet Release		Jack In	Quick release	Ratchet Release
16	(G)	RS3139	RS3139QR	RS3139RR	-	-	-	-
25	(H)	RS3140	RS3140QR	RS3140RR	-	-	-	-
35	(I)	RS3141	RS3141QR	RS3141RR	-	-	-	-
50	(I)	RS3142	RS3142QR	RS3142RR	(J)	RS3148	RS3148QR	RS3148RR
70	(J)	RS3143	RS3143QR	RS3143RR	(K)	RS3149	RS3149QR	RS3149RR
95	(K)	RS3144	RS3144QR	RS3144RR	(L)	RS3150	RS3150QR	RS3150RR
120	(L)	RS3145	RS3145QR	RS3145RR	(M)	RS3151	RS3151QR	RS3151RR
150	(M)	RS3146	RS3146QR	RS3146RR	(N)	RS3152	RS3152QR	RS3152RR
185	(N)	RS3147	RS3147QR	RS3147RR	-	-	-	-

\*Gland Reference Letter

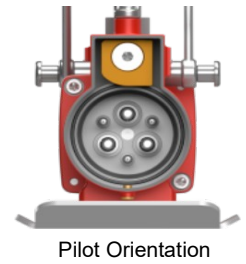
Part Breakdown For Customised Cables; One of Each Type Required



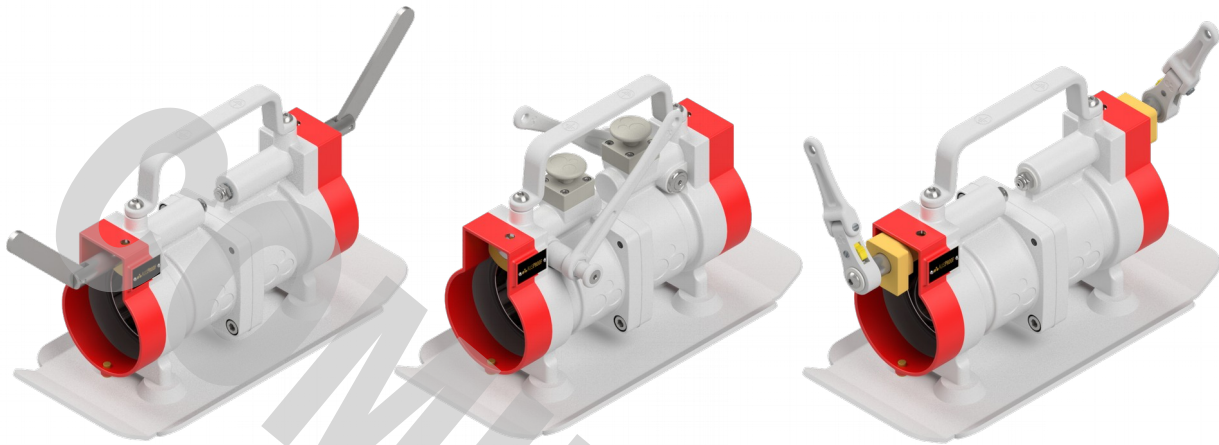
Compression Gland		
*Ref.	Gland ID	Stock No.
(A)	10-15	RS2212
(B)	15-20	RS2213
(C)	20-25	RS2214
(D)	25-30	RS2215
(E)	30-35	RS1618
(F)	35-40	RS1619
(G)	40-45	RS1620
(H)	45-50	RS1621
(I)	50-55	RS1622
(J)	55-60	RS1623
(K)	60-65	RS1624
(L)	65-70	RS1625
(M)	70-75	RS1626
(N)	75-80	RS1627

\*Gland Reference Letter

## Non-Ex 3300V 300A 6 Pin AL Back To Back (B2B) 3 Phase 3 Pilot

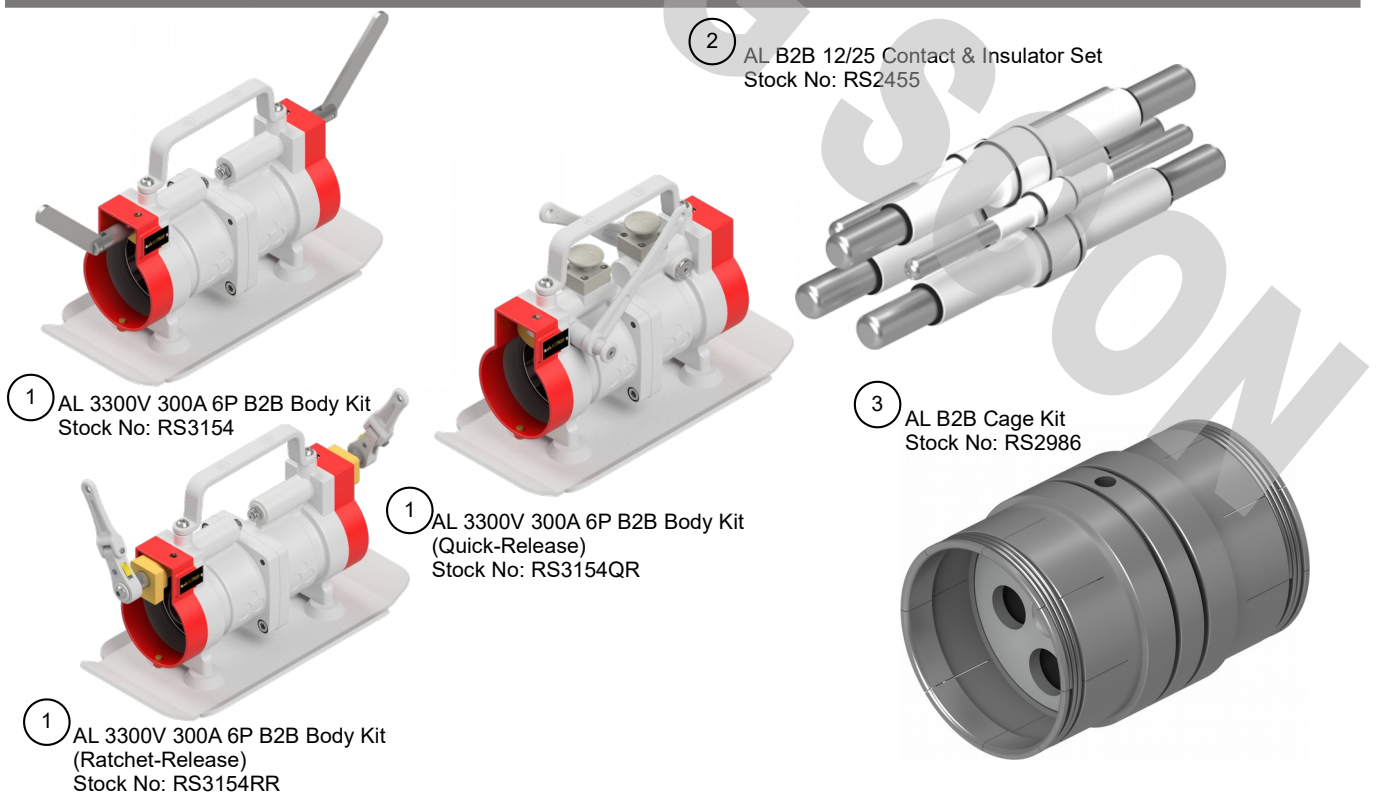


Flameproof Range Available NOW! 100% Compatible With New AL Range. See website for Tech Manual #473



Complete Back to Back		
Jack In	Quick Release	Ratchet Release
Stock No: RS3153	RS3153QR	RS3153RR

### Part Breakdown For Customised Cables; One of Each Type Required



## Non-Ex 3300V 425A 6 Pin AL Plug 3 Phase 3 Pilot



Pilot Orientation

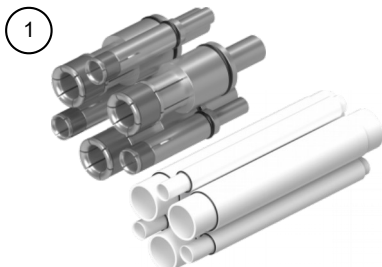
Pre-Built to Suit Cable Type



Complete Plug to Suit Cable Type				
(mm <sup>2</sup> )	*Ref.	241.1	*Ref.	245.1
16	(G)	RS3155	-	-
25	(H)	RS3156	-	-
35	(I)	RS3157	-	-
50	(I)	RS3158	(J)	RS3164
70	(J)	RS3159	(K)	RS3165
95	(K)	RS3160	(L)	RS3166
120	(L)	RS3161	(M)	RS3167
150	(M)	RS3162	(N)	RS3168
185	(N)	RS3163	-	-

\*Gland Reference Letter

Part Breakdown For Customised Cables; One of Each Type Required



16 / 25 Style Tube Contact Sets		
(mm <sup>2</sup> )	ID (mm)	Stock No.
16	6.5	RS1951
25	7.5	RS1952
35	9.0	RS1953
50	10.5	RS1954
70	12.5	RS1955
95	14.0	RS1956
120	16.0	RS1957
150	17.7	RS1958
185	19.5	RS1959

2) 6P Front Cage  
Stock No: RS2957



Compression Gland		
*Ref.	Gland ID	Stock No.
(A)	10-15	RS2212
(B)	15-20	RS2213
(C)	20-25	RS2214
(D)	25-30	RS2215
(E)	30-35	RS1618
(F)	35-40	RS1619
(G)	40-45	RS1620
(H)	45-50	RS1621
(I)	50-55	RS1622
(J)	55-60	RS1623
(K)	60-65	RS1624
(L)	65-70	RS1625
(M)	70-75	RS1626
(N)	75-80	RS1627

\*Gland Reference Letter



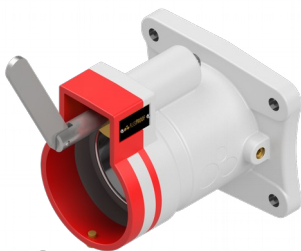
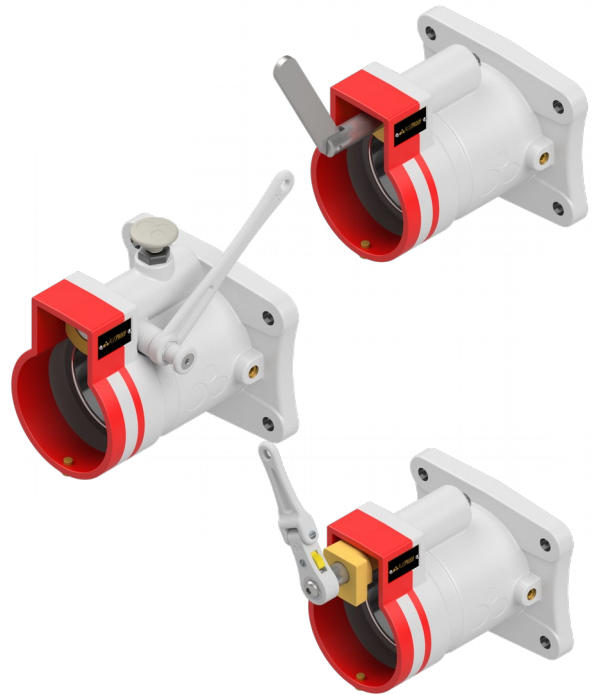
3) AL 1100V 425A 6P Plug Body  
Stock No: RS3170



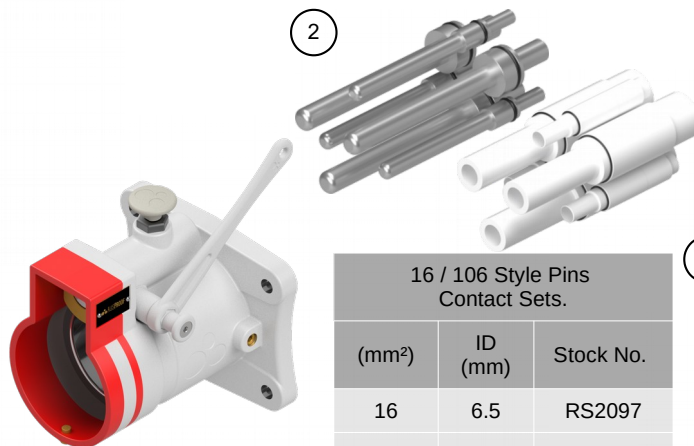
## Non-Ex 3300V 425A 6 Pin AL Receptacle 3 Phase 3 Pilot



Receptacle Type to Suit mm <sup>2</sup> Cable Tails			
(mm <sup>2</sup> )	(Jack In)	(Quick Release)	(Ratchet Release)
16	RS3171	RS3171QR	RS3171RR
25	RS3172	RS3172QR	RS3172RR
35	RS3173	RS3173QR	RS3173RR
50	RS3174	RS3174QR	RS3174RR
70	RS3175	RS3175QR	RS3175RR
95	RS3176	RS3176QR	RS3176RR
120	RS3177	RS3177QR	RS3177RR
150	RS3178	RS3178QR	RS3178RR
185	RS3179	RS3179QR	RS3179RR



1 AL 1100V 425A 6P Receptacle Body  
Stock No: RS3180



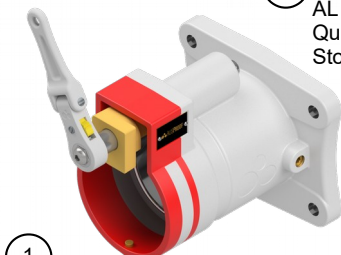
2

16 / 106 Style Pins Contact Sets.

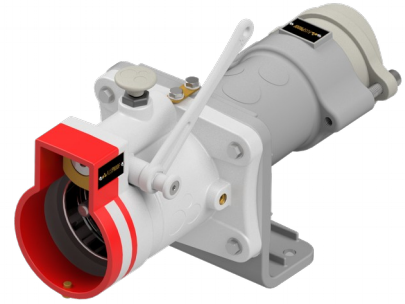
(mm <sup>2</sup> )	ID (mm)	Stock No.
16	6.5	RS2097
25	7.5	RS2098
35	9.0	RS2099
50	10.5	RS2100
70	12.5	RS2101
95	14.0	RS2102
120	16.0	RS2103
150	17.7	RS2104
185	19.5	RS2105

1 AL 1100V 425A 6P Receptacle Body Quick Release  
Stock No: RS3180QR

3 AL 6P Receptacle Cage  
Stock No: RS2969



1 AL 1100V 425A 6P Receptacle Body Ratchet Release  
Stock No: RS3180RR

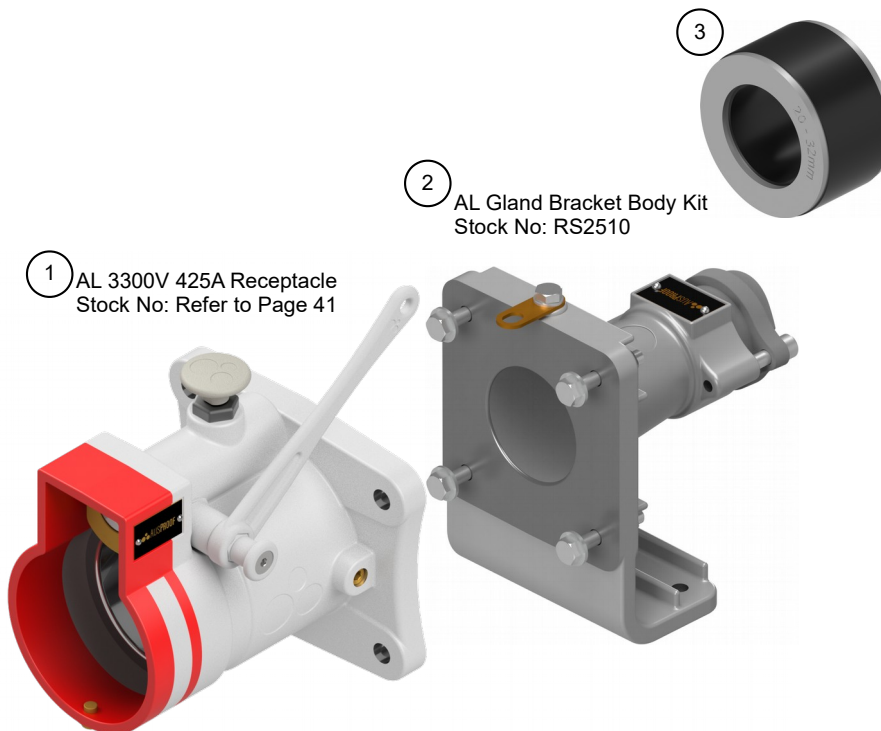


Pre-Built to Suit Cable Type

Complete Receptacle Gland Bracket to Suit Cable Type								
(mm <sup>2</sup> )	*Ref	241.3			*Ref.	245.3		
		Jack In	Quick Release	Ratchet Release		Jack In	Quick release	Ratchet Release
16	(G)	RS3181	RS3181QR	RS3181RR	-	-	-	-
25	(H)	RS3182	RS3182QR	RS3182RR	-	-	-	-
35	(I)	RS3183	RS3183QR	RS3183RR	-	-	-	-
50	(I)	RS3184	RS3184QR	RS3184RR	(J)	RS3190	RS3190QR	RS3190RR
70	(J)	RS3185	RS3185QR	RS3185RR	(K)	RS3191	RS3191QR	RS3191RR
95	(K)	RS3186	RS3186QR	RS3186RR	(L)	RS3192	RS3192QR	RS3192RR
120	(L)	RS3187	RS3187QR	RS3187RR	(M)	RS3193	RS3193QR	RS3193RR
150	(M)	RS3188	RS3188QR	RS3188RR	(N)	RS3194	RS3194QR	RS3194RR
185	(N)	RS3189	RS3189QR	RS3189RR	-	-	-	-

\*Gland Reference Letter

Part Breakdown For Customised Cables; One of Each Type Required



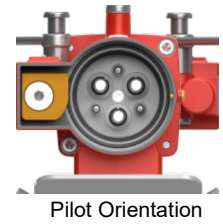
1 AL 3300V 425A Receptacle  
 Stock No: Refer to Page 41

2 AL Gland Bracket Body Kit  
 Stock No: RS2510



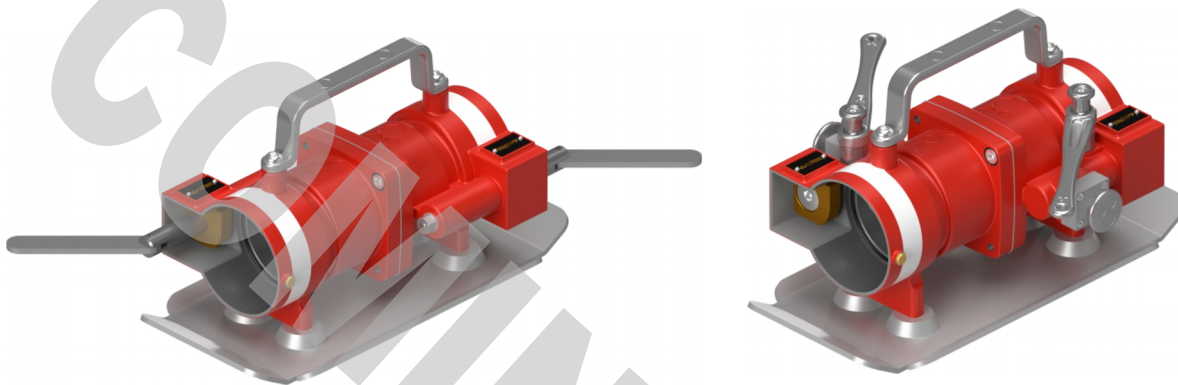
Compression Gland		
*Ref.	Gland ID	Stock No.
(A)	10-15	RS2212
(B)	15-20	RS2213
(C)	20-25	RS2214
(D)	25-30	RS2215
(E)	30-35	RS1618
(F)	35-40	RS1619
(G)	40-45	RS1620
(H)	45-50	RS1621
(I)	50-55	RS1622
(J)	55-60	RS1623
(K)	60-65	RS1624
(L)	65-70	RS1625
(M)	70-75	RS1626
(N)	75-80	RS1627

\*Gland Reference Letter



## Non-Ex 3300V 425A 6 Pin AL Back To Back (B2B) 3 Phase 3 Pilot

Flameproof Range Available NOW! 100% Compatible With New AL Range. See website for Tech Manual #473



Complete Back to Back		
Jack In	Quick Release	Ratchet Release
Stock No: RS3195	RS3195QR	RS3195RR

### Part Breakdown For Customised Cables; One of Each Type Required



1 AL 3300V 425A 6P B2B Body Kit  
Stock No: RS3196

1 AL 3300V 425A 6P B2B Body Kit  
(Quick-Release)  
Stock No: RS3196QR

1 AL 3300V 425A 4P B2B Body Kit  
(Ratchet-Release)  
Stock No: RS3196RR

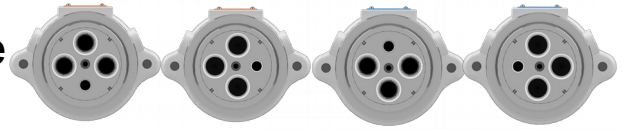
2 AL 16/25 B2B Contact/Insulator Set  
Stock No: RS2653



3 AL B2B Cage Kit  
Stock No: RS2986



## AL Range Termination Procedure 660/1100V 300/425A 4P Plug; 3 Phase 1 Pilot



**1** Remove outer sheath 220mm

**2** 170mm  
25mm  
Clean with Solvent 3M Kit CC-2

(2.1) Fit Clamp  
(2.2) Fit Comp Gland  
Pilot Length Approx. 215mm; Strip back 20mm  
(2.4) Strip Back Cables to Specified Lengths

**3** (3.1) Fit Cage + Insulator Bushes Before Termination of Contacts. On 150 - 185mm<sup>2</sup> Cable, Also Fit The Supplied Split Ring.

(3.2) Crimp Pilot

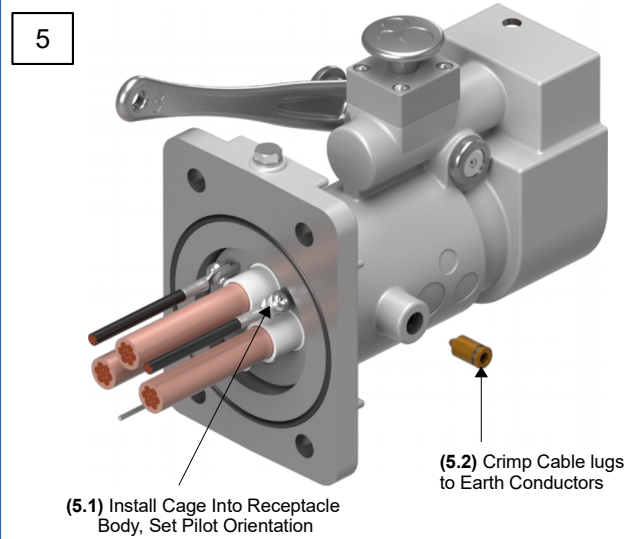
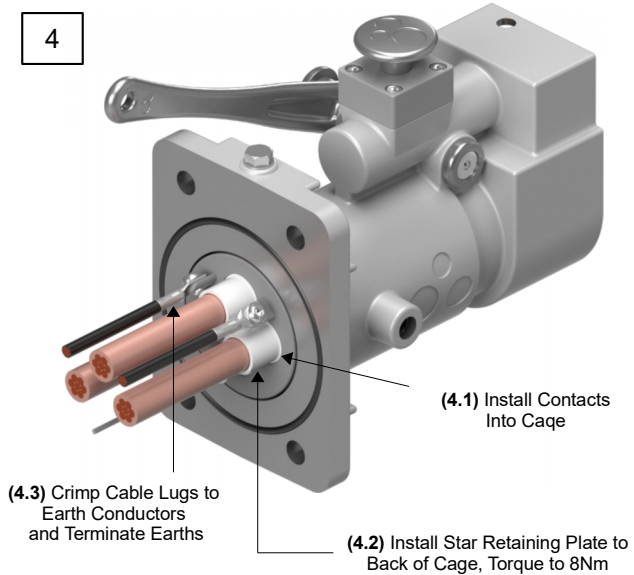
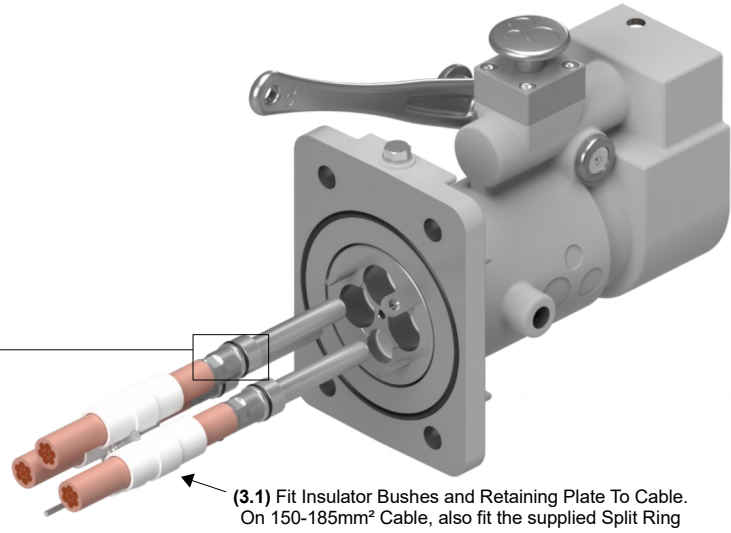
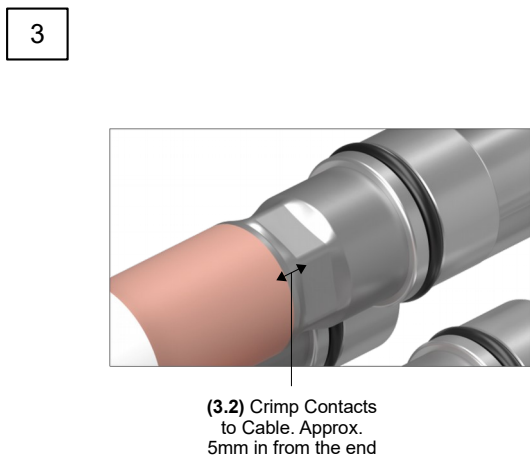
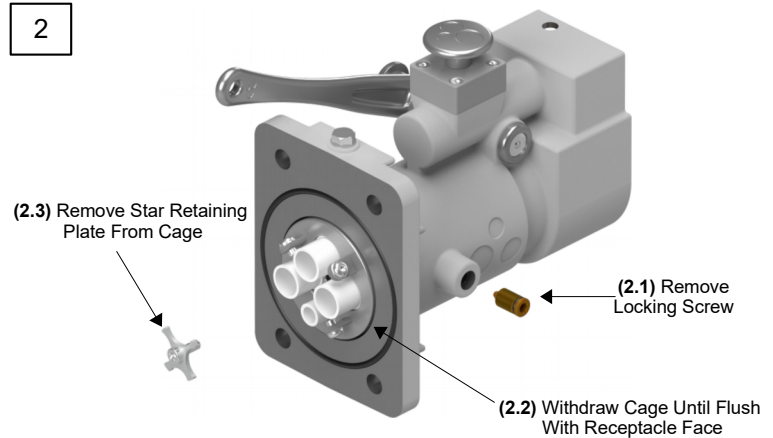
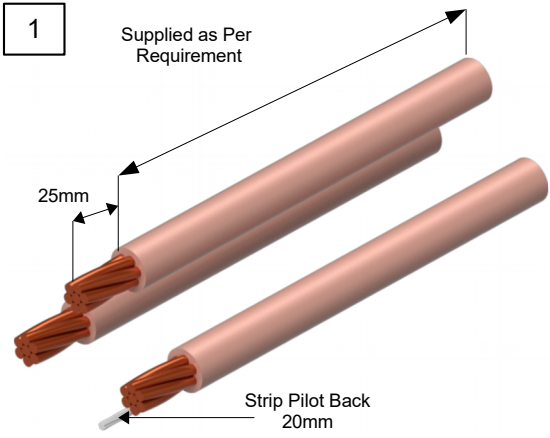
(3.3) Crimp Contacts at Approx. 5mm In From End

**4** (4.1) Fit Front Insulators + O-Rings To Insulator Bushes  
(4.2) Slide Front Barrel Over Insulators And Torque Cap Screw to 8Nm onto Retaining Ring

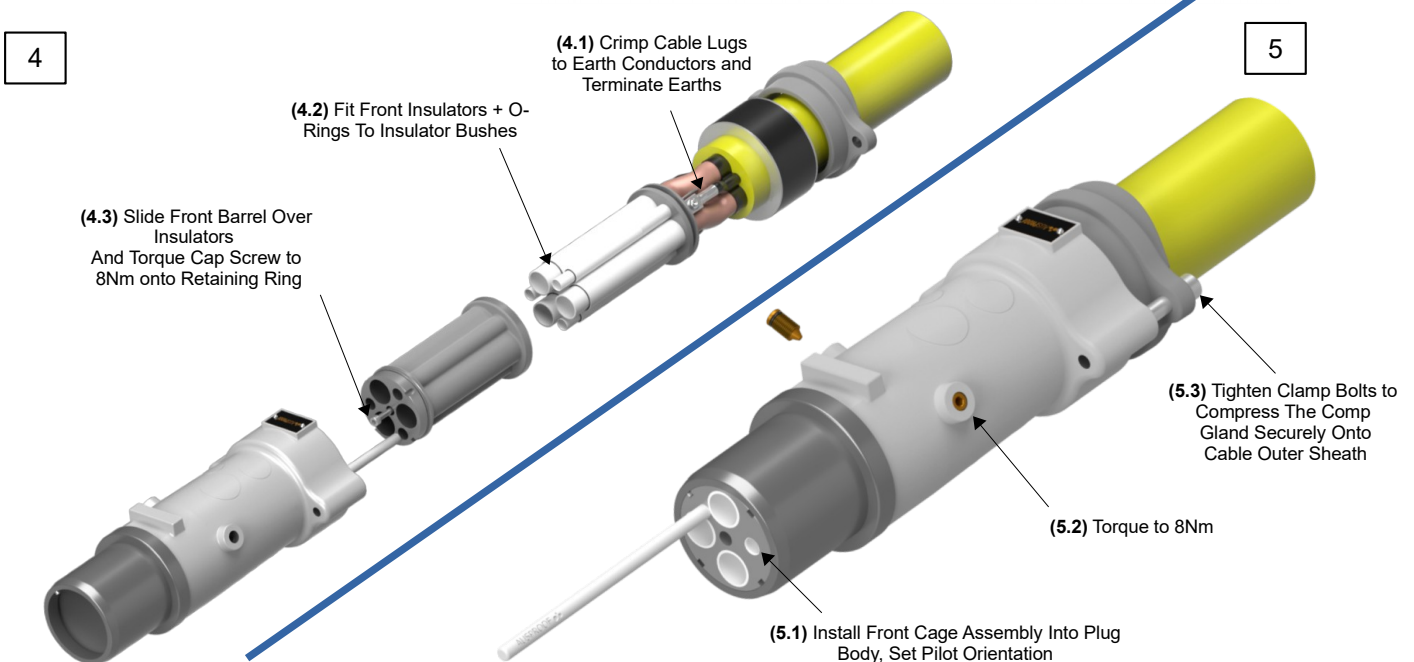
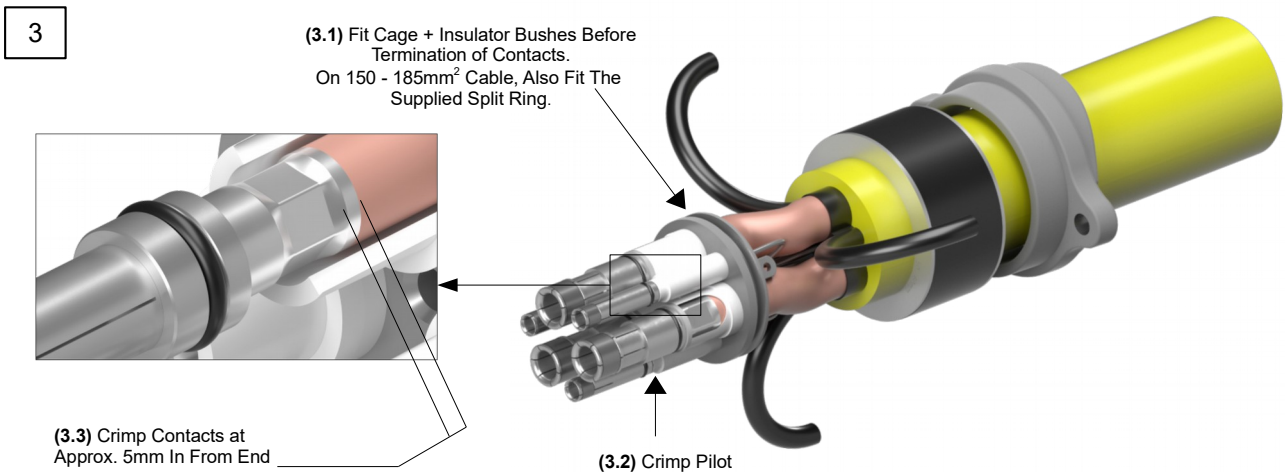
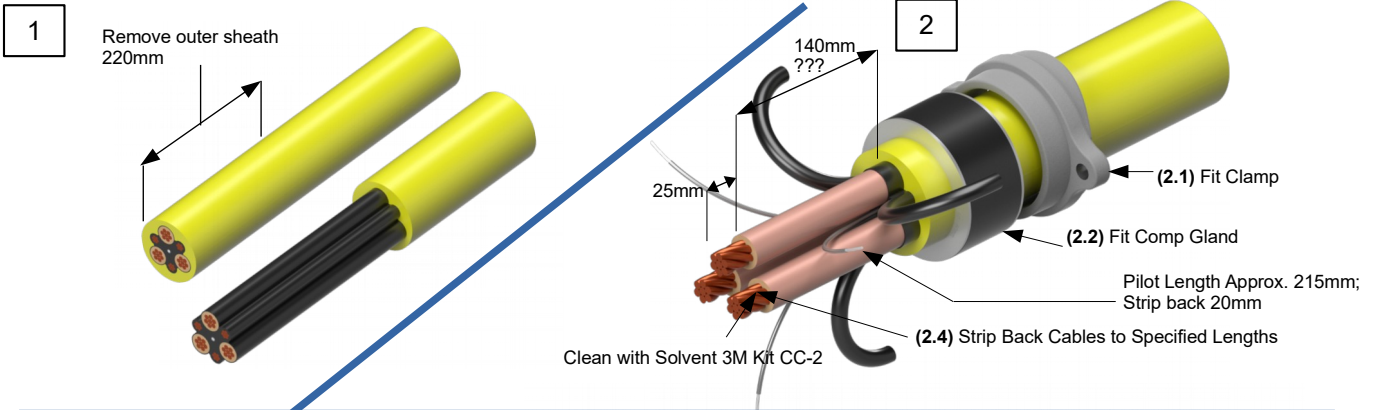
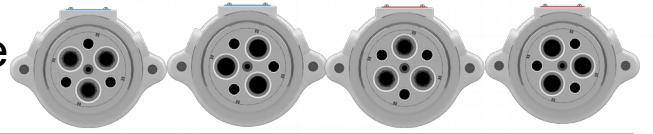
Crimp Cable Lugs to Earth Conductors and Terminate Earths

**5** (5.1) Install Front Cage Assembly Into Plug Body, Set Pilot Orientation  
(5.2) Torque to 8Nm  
(5.3) Tighten Clamp Bolts to Compress The Comp Gland Securely Onto Cable Outer Sheath

## AL Range Termination Procedure 660/1100V 300/425A 4P Receptacle; 3 Phase 1 Pilot



## AL Range Termination Procedure 660/1100V 300/425A 6P Plug; 3 Phase 3 Pilot



## AL Range Termination Procedure 660/1100V 300/425A 6P Receptacle; 3 Phase 3 Pilot



**1** Supplied as Per Requirement

25mm

Strip Pilot Back 20mm

**2**

(2.1) Remove Locking Screw

(2.2) Withdraw Cage Until Flush With Receptacle Face

(2.3) Remove Star Retaining Plate From Cage

**3**

(3.2) Crimp Contacts to Cable. Approx. 5mm in from the end

(3.1) Fit Insulator Bushes and Retaining Plate To Cable. On 150-185mm<sup>2</sup> Cable, also fit the supplied Split Ring

**4**

(4.1) Install Contacts Into Cage

(4.2) Install Star Retaining Plate to Back of Cage, Torque to 8Nm

(4.3) Crimp Cable Lugs to Earth Conductors and Terminate Earths

**5**

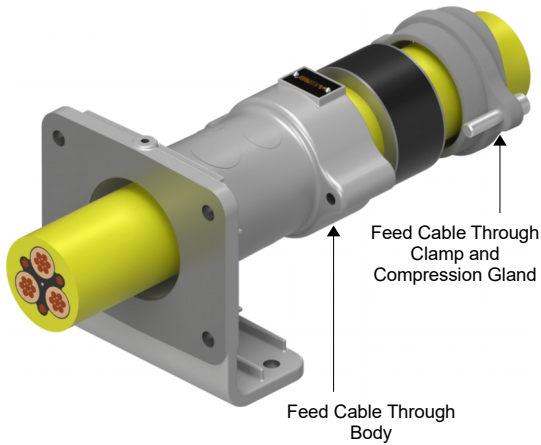
(5.1) Install Cage Into Receptacle Body, Set Pilot Orientation

(5.2) Crimp Cable lugs to Earth Conductors

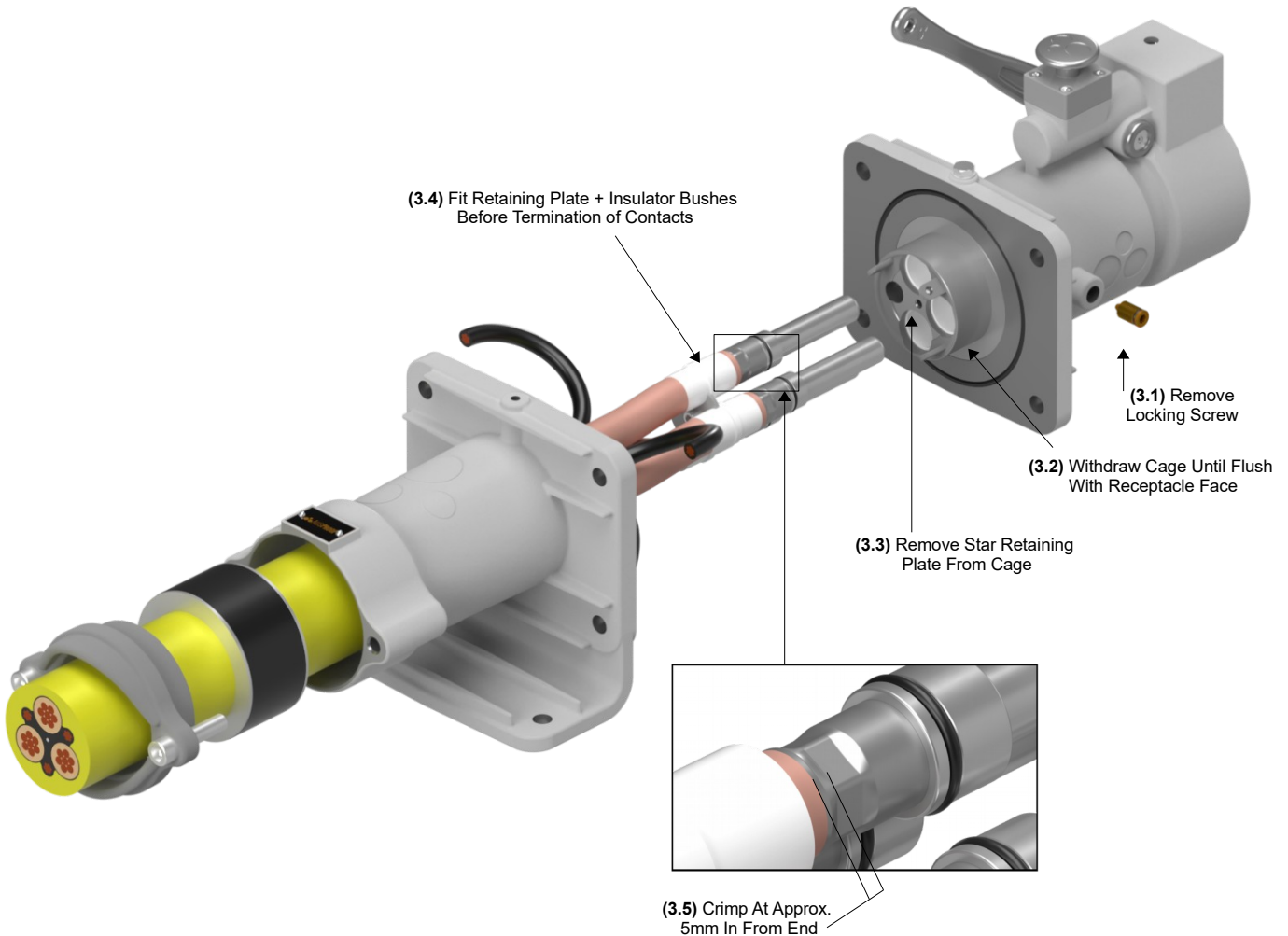
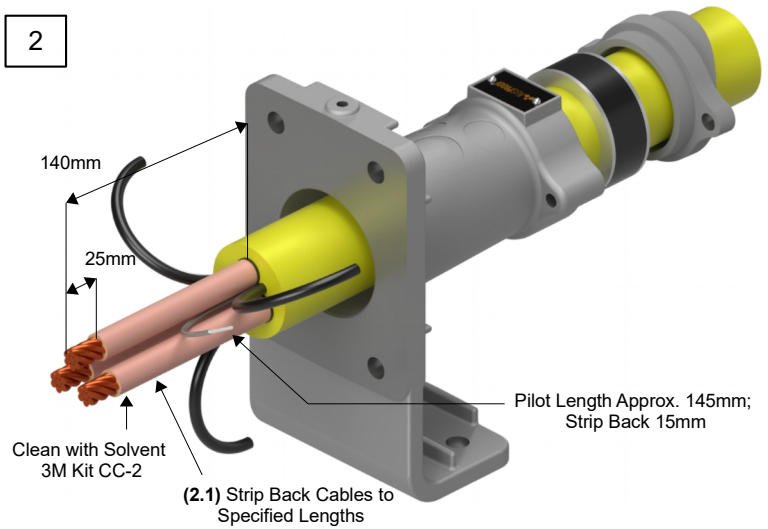
# AL Range Termination Procedure

## Receptacle Gland Bracket

1



2

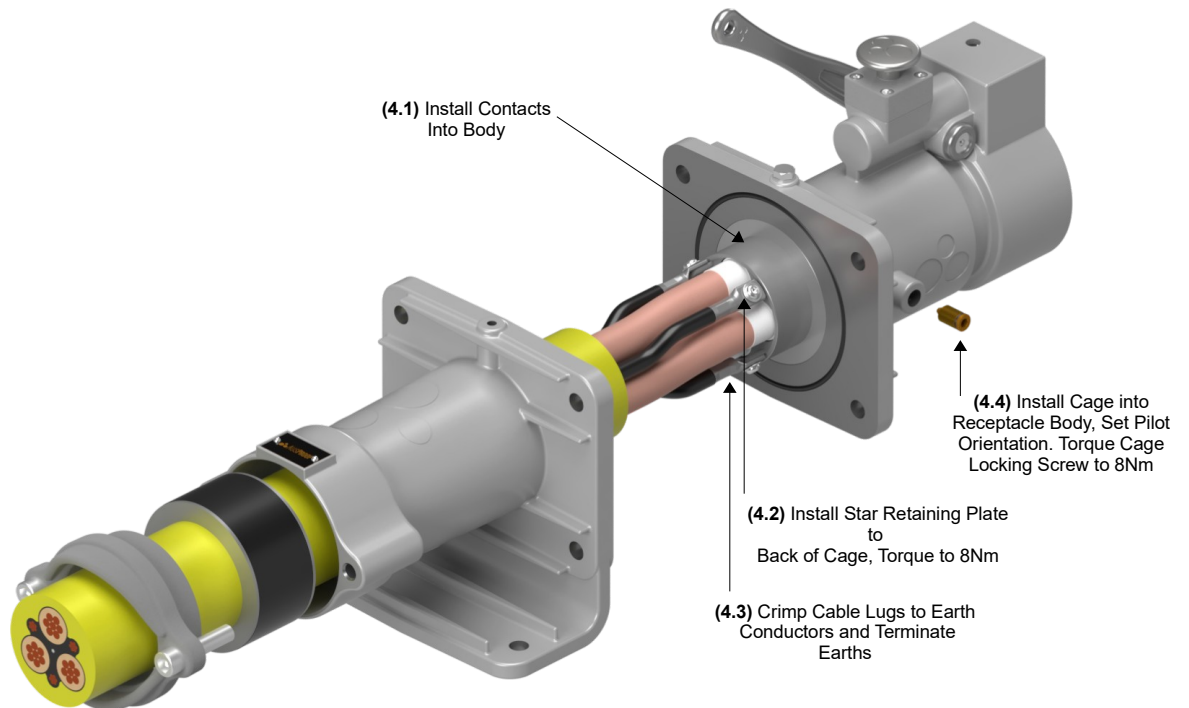




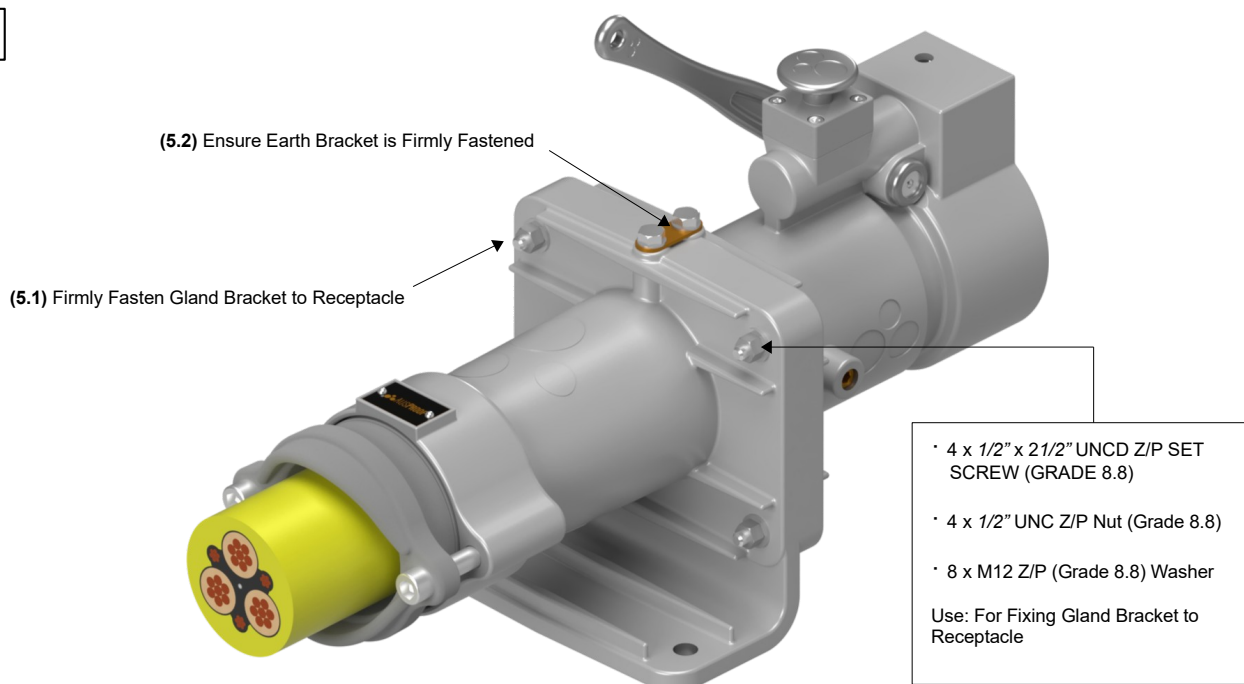
## AL Range Termination Procedure

### Receptacle Gland Bracket

4



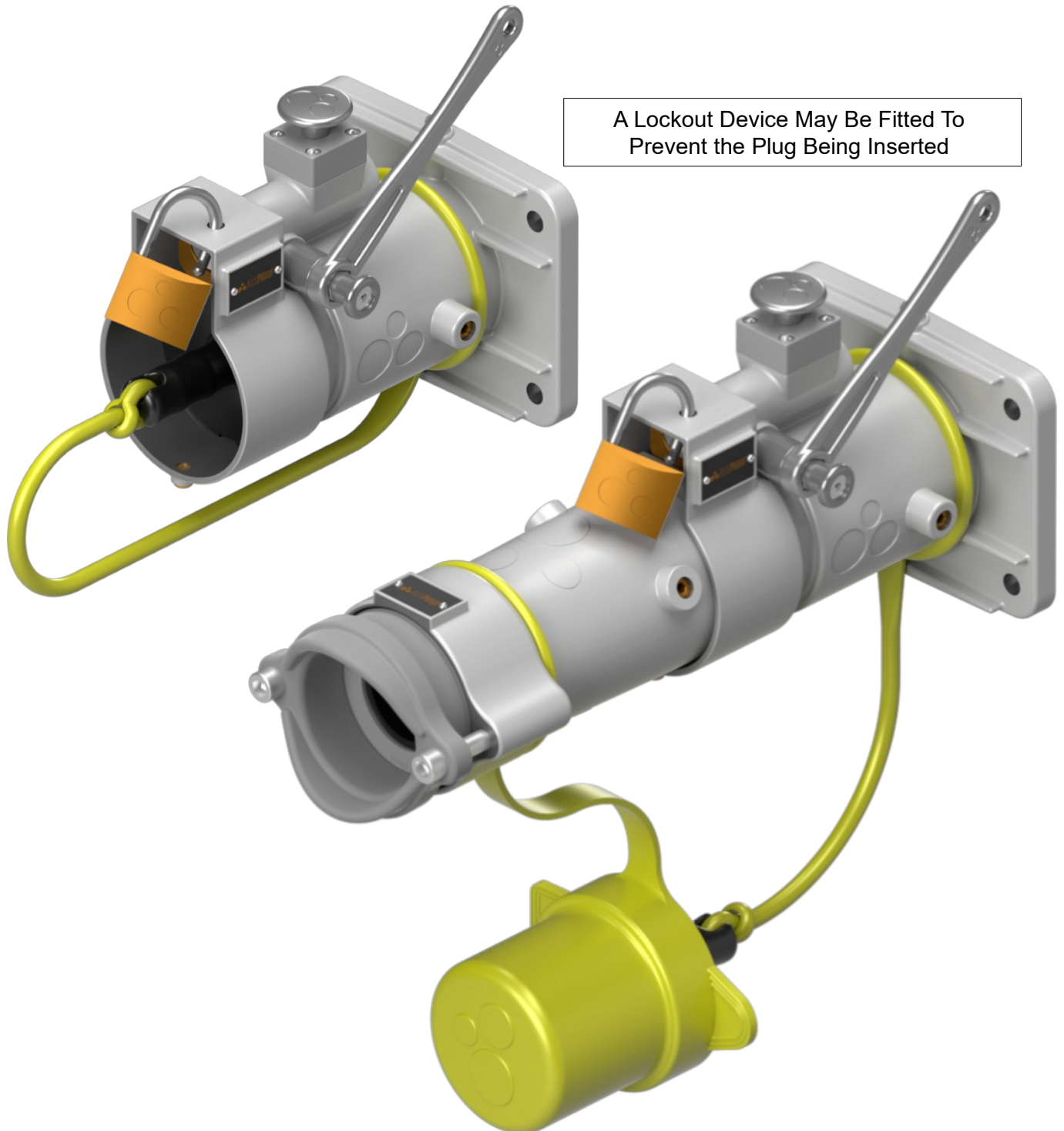
5



## PS Range Lockout Device Location

---

---



## AL Range Plug Accessories

---

---



300A/425A  
Plug Cover  
Part No: 3202

Guide Stick  
Part No: 1766



## AL Range Receptacle Accessories

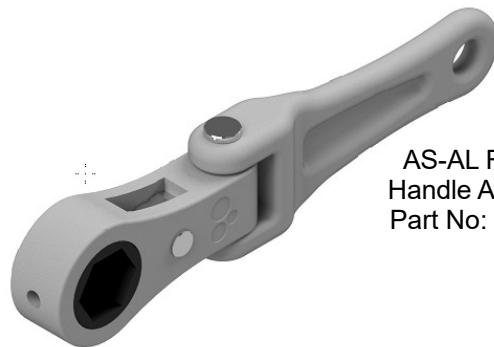
---

---

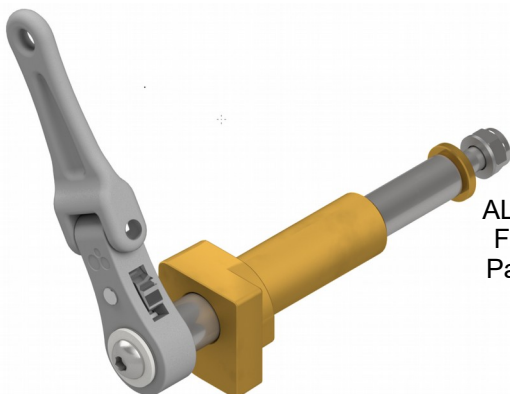
300A/425  
Receptacle Protective Bung  
Stock No: RS1767



AS-AL Ratchet  
Handle Assembly  
Part No: RS2725



AL RR Style Pawl  
FULL Assembly  
Part No: RS3338



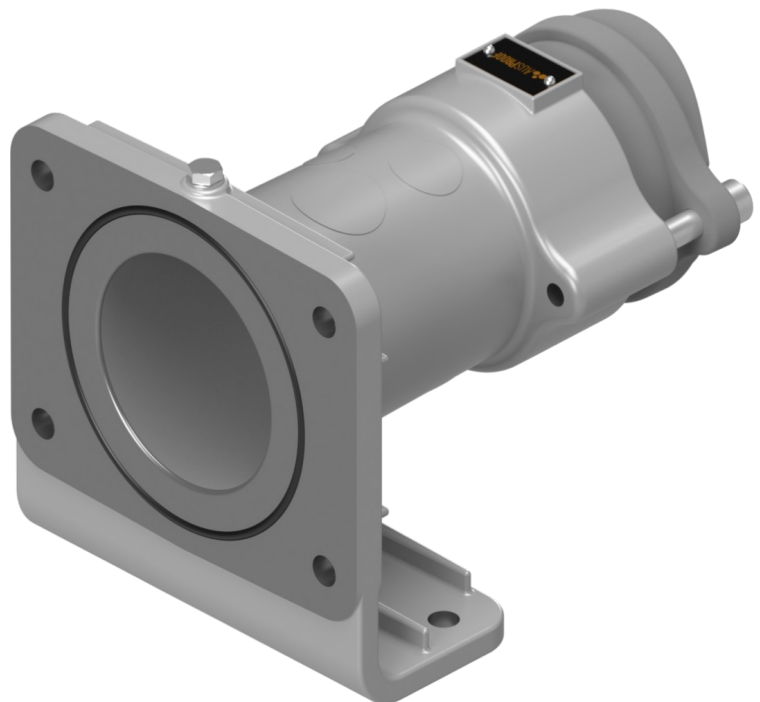
## AL Range Receptacle Accessories

---

---

Alternative Gland Mounting  
Added O-Ring

Not To Be Mounted To Receptacles  
Due To O-Ring Fitting



## AL Range Plug and Receptacle Accessories

OIF (O-Ring, Insulators, and Fasteners) Repair Kits for Plugs

OIF Repair Kits		Stock Number
<b>660V 300A 4 Pin PL Plug, Contact and Insulator SET Style 16/25</b>		
	16-120mm	RS1675
	150-185mm	RS1679
<b>660V 425A 4 Pin PL Plug, Contact and Insulator SET Style 19/25</b>		
	16-120mm	RS1676
	150-185mm	RS1680
<b>1100V 300A 4 Pin PL Plug, Contact and Insulator SET Style 16/25</b>		
	16-120mm	RS1675
	150-185mm	RS1679
<b>1100V 425A 4 Pin PL Plug, Contact and Insulator SET Style 19/25</b>		
	16-120mm	RS1676
	150-185mm	RS1680
<b>1100V 300A 6 Pin PL Plug, Contact and Insulator SET Style 12/25</b>		
	16-120mm	RS1673
	150-185mm	RS1677
<b>1100V 425A 6 Pin PL Plug, Contact and Insulator SET Style 16/25</b>		
	16-120mm	RS2475
	150-185mm	RS2476

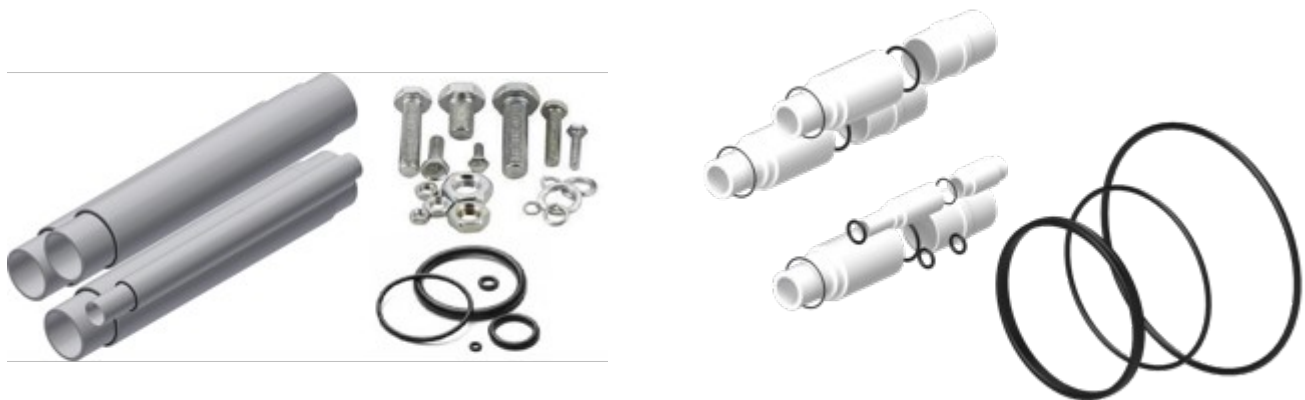


## AL Range Plug and Receptacle Accessories

OIF (O-Ring, Insulators, and Fasteners) Repair Kits for Plugs



OIF Repair Kits continued		Stock Number
<b>3300V 300A 4 Pin PL Plug, Contact and Insulator SET Style 12/25</b>		
	16-120mm	RS1674
	150-185mm	RS1678
<b>3300V 425A 4 Pin PL Plug, Contact and Insulator SET Style 16/25</b>		
	16-120mm	RS2473
	150-185mm	RS2474
<b>3300V 300A 6 Pin PL Plug, Contact and Insulator SET Style 12/25</b>		
	16-120mm	RS1673
	150-185mm	RS1677
<b>3300V 425A 4 Pin PL Plug, Contact and Insulator SET Style 16/25</b>		
	16-120mm	RS2475
	150-185mm	RS2476



OIF Cage Repair Kits for Plugs	Stock Number
4 Pin Front Cage (RS1914)	RS3343
6 Pin Front Cage (RS1915)	RS3345

## AL Range Plug and Receptacle Accessories

OIF (O-Ring, Insulators, and Fasteners) Repair Kits for Receptacles

OIF Repair Kits		Stock Number
<b>660V 300A 4 Pin PL Receptacle, Contact and Insulator SET Style 16/78</b>		
	16-120mm	RS1694
	150-185mm	RS1695
<b>660V 425A 4 Pin PL Receptacle, Contact and Insulator SET Style 19/78</b>		
	16-120mm	RS1698
	150-185mm	RS1699
<b>1100V 300A 4 Pin PL Receptacle, Contact and Insulator SET Style 16/78</b>		
	16-120mm	RS1694
	150-185mm	RS1695
<b>1100V 425A 4 Pin PL Receptacle, Contact and Insulator SET Style 19/78</b>		
	16-120mm	RS1698
	150-185mm	RS1699
<b>1100V 300A 6 Pin PL Receptacle, Contact and Insulator SET Style 12/106</b>		
	16-120mm	RS1700
	150-185mm	RS1701
<b>1100V 425A 6 Pin PL Receptacle, Contact and Insulator SET Style 16/106</b>		
	16-120mm	RS1702
	150-185mm	RS1703





## AL Range Plug and Receptacle Accessories

### OIF (O-Ring, Insulators, and Fasteners) Repair Kits for Receptacle

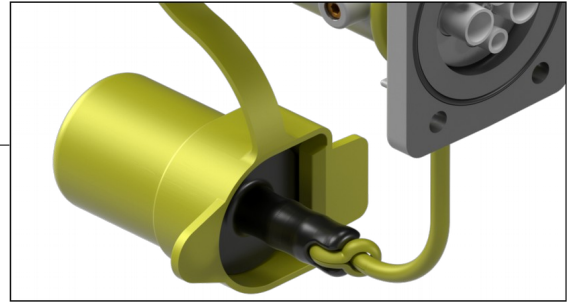
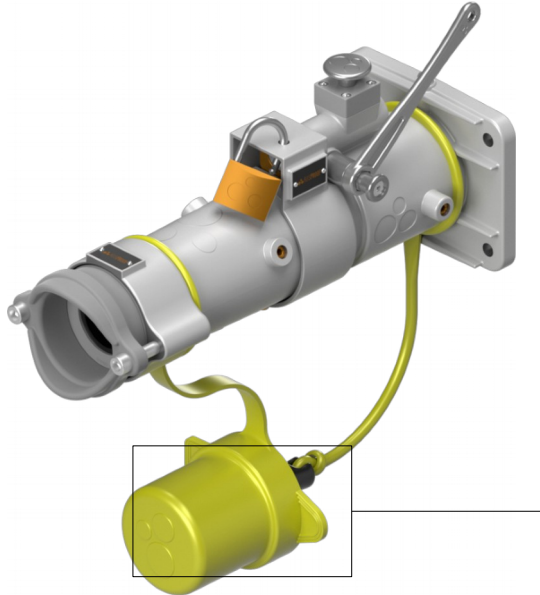
OIF Repair Kits continued	
<b>3300V 300A 4 Pin PL Receptacle, Contact and Insulator SET Style 12/106</b>	<b>Stock Number</b>
16-120mm	RS1692
150-185mm	RS1693
<b>3300V 425A 4 Pin PL Receptacle, Contact and Insulator SET Style 16/106</b>	<b>Stock Number</b>
16-120mm	RS1696
150-185mm	RS1697
<b>3300V 300A 6 Pin PL Receptacle, Contact and Insulator SET Style 12/106</b>	<b>Stock Number</b>
16-120mm	RS1700
150-185mm	RS1701
<b>3300V 425A 4 Pin PL Receptacle, Contact and Insulator SET Style 16/106</b>	<b>Stock Number</b>
16-120mm	RS1702
150-185mm	RS1703



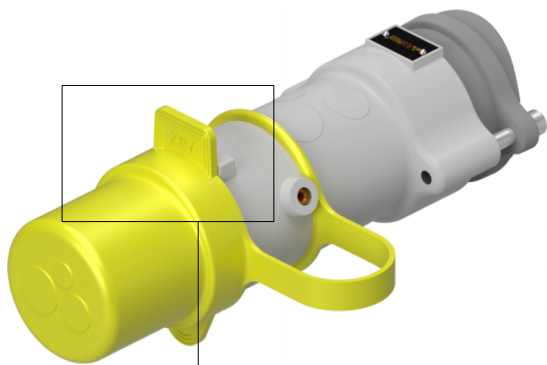
OIF Cage Repair Kits for Receptacles	Stock Number
4 Pin Receptacle Cage (RS1916)	RS3344
6 Pin Receptacle Cage (RS1917)	RS3346

# AL Range Product Handling

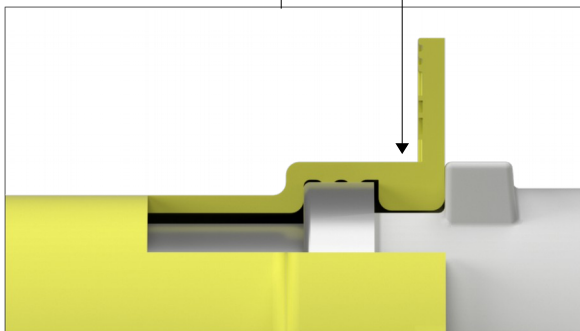
## Plug And Receptacle



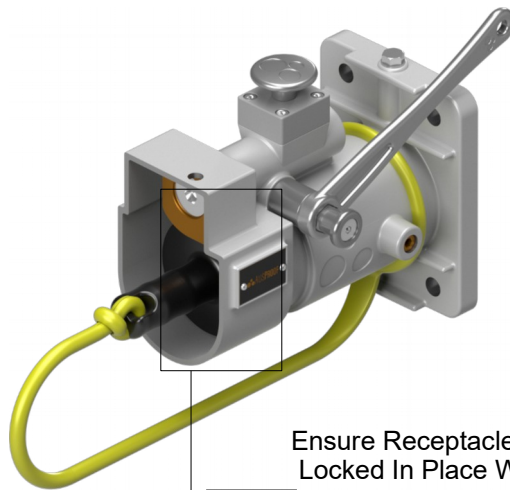
When Not In Use, Insert Receptacle Bung Into Silicone Plug Cover. Ensure Cap is Inserted Past the Rubber Key.



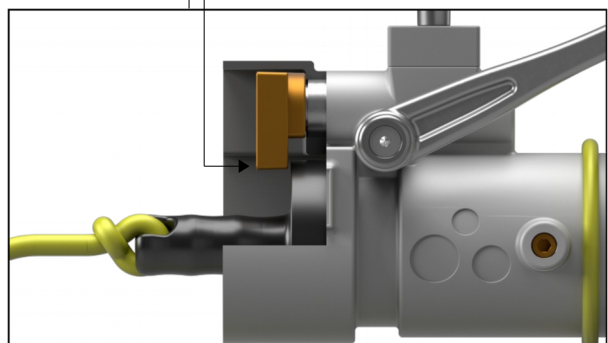
Ensure Key Is Engaged With Plug Body



Plug Key Engagement



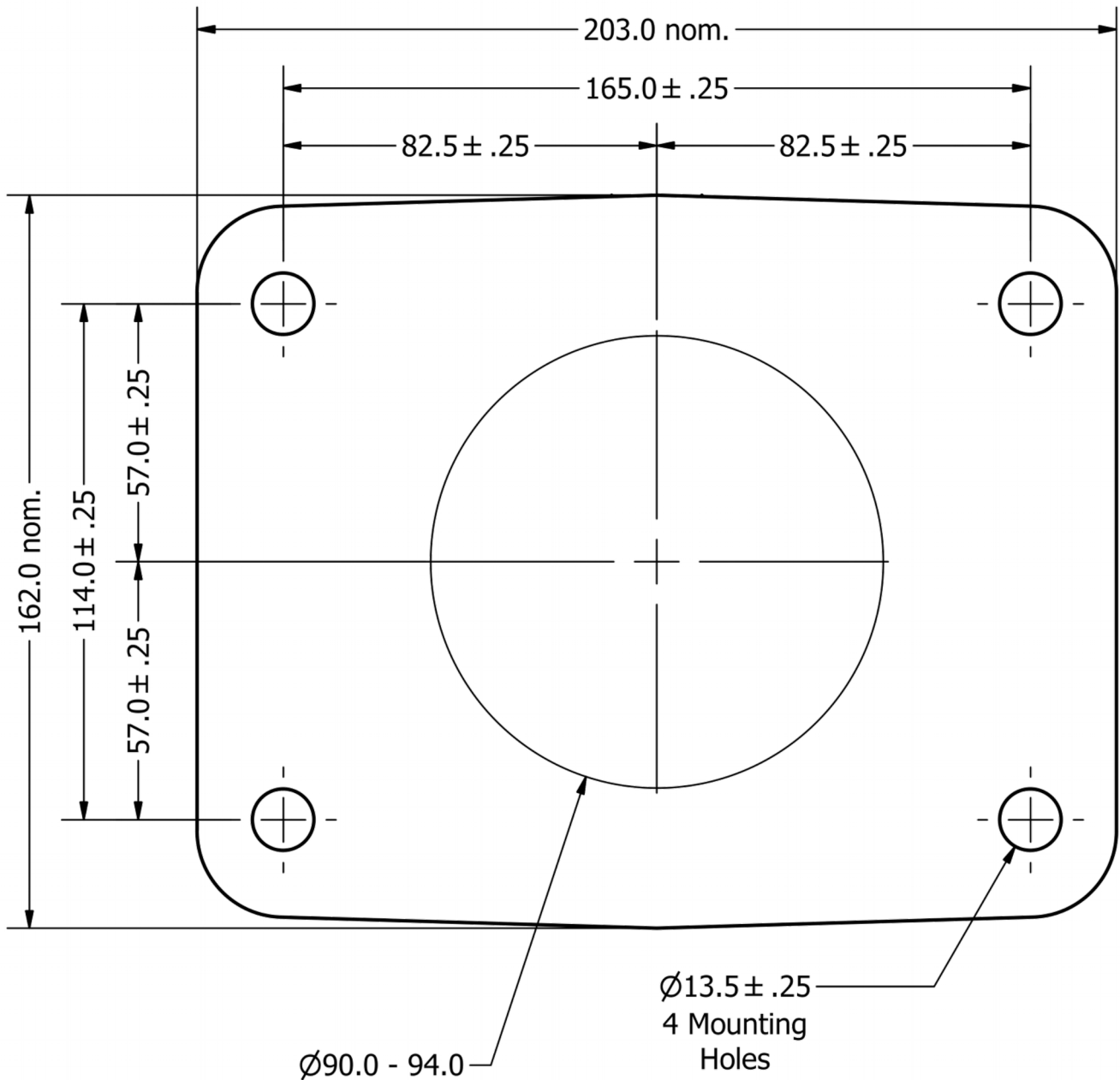
Ensure Receptacle Bung Is Locked In Place With Pawl



Receptacle Key Engagement

## AL Receptacle Mounting Profile Drawing

660/1100/3300V 300A/425A AL Receptacle



## Maintenance and Safety

---

---

### Plug and Receptacle System

- To ensure the safe operation of the plug and receptacles, personnel should be aware of minimal ongoing care and maintenance.
- When cables are not in use, ensure that protective covers have been fitted to provide adequate sealing against moisture and dust.
- The plugs and receptacles should never be used as a towing or anchor point.
- Inspect plug and receptacle to ensure no parts are missing, if parts are missing it is deemed unsafe for use.
- Inspect insertion end of plug and entry of receptacle to ensure there is no damage, as damage could compromise the flame path protection
- Before connection inspect sealing ring in receptacle to ensure they are located correctly into groove.
- Before connection of plug and receptacle ensure connecting pins are not bent from previous misuse or incorrect assembly.
- Ensure plug has been inserted fully into receptacle before energising.
- If witness marks are used, make sure they are brightly painted on the sheath, located where the cable enters the gland. This needs to be routinely inspected to check if a gap appears between the end of the gland and the witness mark. A gap may indicate that the cable has been under tension and that the termination in the coupler may have moved.
- The maximum surface temperature the plug will achieve when operating at full rated current at an ambient of 40°C will not exceed 85°C.



**6 Shona Avenue  
Gladstone  
Queensland 4680**

**Phone: +61 7 49784000**

**Email: [ausproof@ausproof.com.au](mailto:ausproof@ausproof.com.au)  
Website: <https://www.ausproof.com.au/>**